

FFL 60P SEMI-AUTOMATIC PEDESTRIAN GATES



WISNIOWSKI

GATES | WINDOWS | DOORS | FENCES

Installation Manual

The document is for the
Professional Installer





TABLE OF CONTENTS

1. Overview	2
2. Terms and definitions	2
3. Description of symbols	2
4. Required installation conditions	2
5. Environmental protection	2
6. Installation instructions	2
6.1. Preparation activities	2
6.2. Installation sequence	3
6.3. Finishing tasks	3
6.4. Disassembly	3
7. Foundation	4
8. Foundation reinforcement	4



[A000177] **Read this Installation Manual, as well as the Industrial fence wicket Operating and Maintenance Manual, and observe all the instructions.**

1. OVERVIEW

[A000178] See: "Industrial fence wicket Operating and Maintenance Manual".



- [A000132] **The product may be installed and adjusted by a PROFESSIONAL INSTALLER only.**
- [A000097] **The manual covers the installation of the products with standard equipment and optional equipment components. The scope of standard and optional equipment is defined in the commercial offer.**
- [A000104] **Failure to observe the safety regulations, regulatory requirements, as well as instructions and recommendations provided in this Operating and Maintenance Manual and Installation Instructions voids all of the Manufacturer's obligations and guarantees.**

[A000179] The overview drawings provided in the manual can differ in terms of manufacturing details. These details are shown in separate drawings where necessary. During installation, make sure to observe the OHS regulations regarding: installation work, locksmithing work done with power tools depending on the installation technology used, and follow all the applicable standards and regulations, as well as the reference construction documentation. During the installation/refurbishment work, protect all the elements from plaster, cement, and gypsum splashes. They might leave stains. After completing the installation and making sure the product operates properly, give the Operating and Maintenance Manual to the owner. The manual should be protected from damage and kept safe. [A000115] Install the product using only original fastening elements (e.g. bolts, screws, nuts and washers) supplied with the product, compliant with the EN or ISO standards.



[A000152] **Making any modifications or changes to the product accessories is strictly prohibited.**

[B000129] The product shipping packaging is intended to protect the product during transport only. Protect the products in the packaging against weather. Keep the packed product on a hard and dry surface (which must be flat, level and resist variations in indoor conditions) located in sheltered rooms that are dry and well-ventilated; the storage location must be free from all external conditions which may damage the product components and its packaging.



Do not store in wet rooms and/or rooms with vapours which may damage paint coats and/or galvanic coats.

[B000025] Airtight foil packaging must be unsealed when storing the doors to avoid adverse change of microclimate inside the packaging. Failure to do so may result in the damage of painted and zinc plated coating.

[A000157] Waste and packaging materials (plastic, cardboard, polystyrene, etc.) comply with the applicable European standards. Nylon and polystyrene packaging should be kept out of reach of children. [A000153] Secure the product against toppling and protect it from any sort of damage during assembly and storage.

2. TERMS AND DEFINITIONS

[A000178] See: "Industrial fence wicket Operating and Maintenance Manual".

2

3. DESCRIPTION OF SYMBOLS



[C000493] this sign refers to a specific item in this Installation Manual.



supervision



tighten

4. REQUIRED INSTALLATION CONDITIONS

[B000149] The installation should be performed at a temperature not lower than 5°C, the structure should be protected against the adverse effects of ambient conditions such as water, snow, construction site dust, all types of mortars.

[B000298] It is forbidden to backfill the foundation bolts and the upper surface of the foundation with sand, grit, soil, etc., as it leads to damaging the zinc coating as a result of contact of humid environment with the zinc layer.



[C000081] **The product cannot be installed in an explosive atmosphere. Safety hazard.**

5. ENVIRONMENTAL PROTECTION

[A000178] See: "Industrial fence wicket Operating and Maintenance Manual".

6. INSTALLATION INSTRUCTIONS

[A000041] Proper operation largely depends on correct installation of the product. Safe and intended operation of the product can only be ensured by correct installation and maintenance carried out according to the Manual.

[A000164] Before you start the installation, check whether the product and all the components are fit for use. Make sure that all the materials and elements are in a perfect condition and are suitable for use. [C000415] The stability of the fence largely depends on correct installation of the posts. When installing the posts, the Manual guidelines must be followed at all times to prevent incorrect installation and the potential loss of warranty rights.



- [A000165] **It is forbidden to use any additional end fittings or alter the existing ones without the Manufacturer's consent.**
- [A000026] **Keep the packaging (plastics, polystyrene, etc.) out of reach of children.**
- [A000028] **During the performance of installation/renovation work, remove all jewellery and use personal protective equipment (clothes, goggles, gloves etc.).**
- [A000151] **Disregarding these basic recommendations may cause malfunctioning, damage or warranty loss of the door.**

6.1. PREPARATION ACTIVITIES

[D000491] Preparation activities include preparing foundation and the wiring system. The product's opening direction is always as seen from the premises (the outside). Build the foundation for the product posts as shown in enclosed drawings. The structure of the posts on which the product will be installed must ensure stability and rigidity of the product in all directions. Foundations for the whole fencing should go below the freezing depth, specific for the region where the installation takes place, but not less than 1000 [mm].



- [C000408] **The foundation design must follow EN 1992 and EN 1997!**
- [D000446] **Prior to construction of the fence, it must be checked if the materials used do not contain contraindications to the use with galvanized and painted coatings.**
- [C000497] **Damage to the post or the fence is possible when the (minimum) depth of the post seating differs from the depth specified in the Installation Instructions.**
- [B000091] Other foundation depths are permitted only after surveying the local ground and water conditions of the installation site, and should be in accordance with the construction practices and technical knowledge. **Make expansion joints in accordance with the enclosed foundation work drawings!**



- [C000409] **The installation of the posts must guarantee stability. The posts must not deviate from the vertical or become deformed.**
- [A000151] **Disregarding these basic recommendations may cause malfunctioning, damage or warranty loss of the door.**

6.2. INSTALLATION SEQUENCE

Before attempting the installation process, verify that the preparations have been properly completed and pre-check the product (for all workmanship defects).

Fig. 6-7 Install the hinges in accordance with the available assembly type.

Fig. 6 **Typ A** - the top and bottom hinges are screwed into the post

Fig. 7 **Typ B** - install the top and bottom hinges as required by the existing post type

- steel posts - Fig. 7.1
- concrete post, - Fig. 7.2.

Screw down the hinge plates to the post. If the plates are installed on a concrete post, set the sleeves as recommended by the adhesive's manufacturer

- Pre-adjust the hinges in their nominal positions (middle

position for screwing and unscrewing the hinges).

- Install the wicket leaf on the hinges.

Fig. 8 Install the receiver on the other wicket post.

Fig. 9 Next, adjust the wicket leaf position. To adjust the wicket leaf position, rotate the upper and bottom hinge screws till the required leaf position is achieved,

[C000164] **Once installed, the product should open easily across the whole leaf movement range and the leaf should remain in balance.**



6.3. FINISHING TASKS

[B000164] On completing the installation, check if the product has a marking plate, contact an authorised service company if it is not present.



On completing the installation, remove the plastic sheet from the product. Failure to do so will cause very strong bonding of the plastic sheet to the structure caused by heat and sunlight. This will make it almost impossible to remove the plastic sheet and may cause severe damage to the paint finish of the product.

[C000481] Affix the warning labels permanently and in visible locations on the product.

[D000200] The installer is required to analyse the hazards present during operation of the product and to explain them to the user/owner. The following regular hazards occur during opening of the product: collision and crushing in the closing zone; collision and crushing in the opening zone; snagging; and mechanical hazards related to the movement of the product. Before operating the product, make sure that all people are at a safe distance. Do not touch any moving part of the product while it is opening. Keep away at a safe distance from the product while opening: pass through the opening only when the product is fully opened and stationary.

[C000322] Move the door leaf by hand at its entire length. Be careful not to lose control over the door leaf in motion. Do not speed up the door leaf and release it without control. The moving leaf can be hazardous to persons and property, and result in damage of the door. Carefully slow down and stop the door.



- [C000330] **Before the final product handover to the Owner, check the start-up and stopping in manual operation.**
- [B000249] **Make sure that the product is properly adjusted.**
 - [B000007] **Do not use this product in the case of faulty operation or damage to components.** Do not operate.
- [A000144] **The Professional Installer must explain proper operation of the product to its user, including the emergency procedures, and train the user in proper use.**
- [A000167] **Inspect the product visually and make sure that there are no signs of mechanical maladjustment, mechanical damage or wear.**
- [A000011] All the actions should be carried out as instructed in this Installation and Operating Manual. Please send any remarks and recommendations you might have to the owner in writing, e.g. note them in the Report Book or in the

Warranty Sheet. After completing the inspection, confirm that the inspection was performed by adding an entry in the Report Book or in the Warranty Sheet.

- [A000180] **After making sure the product operates properly, give the Operating and Maintenance Manual to the owner.**
- [B000183] **Keep the product pack list for future reference.**
- [A000151] **Disregarding these basic recommendations may cause malfunctioning, damage or warranty loss of the door.**

6.4. DISASSEMBLY

C000171] To dismantle, perform the installation procedure in the reverse order.



[A000011] **All the actions should be carried out as instructed in this Installation and Operating Manual. Please send any remarks and recommendations you might have to the owner in writing, e.g. note them in the Report Book or in the Warranty Sheet. After completing the inspection, confirm that the inspection was performed by adding an entry in the Report Book or in the Warranty Sheet.**

[A000079] **The manufacturer reserves the right to introduce design modifications due to technological progress that do not alter the product functionality, without prior notice.**

This documentation is copyright of the manufacturer. Copying, reproduction and usage in full or in a part without the written consent of the owner is prohibited.

[A000048] **This document has been translated from Polish. In case of discrepancies, the Polish version prevails.**



7. FOUNDATION

Fig. 1 [D000237] square foundation – post on a baseplate

Fig. 2 [D000242] round foundation – post on a baseplate

[D000246] Legend

So – Span between posts, order dimension



Footing to be done along with EN 1992 and EN 1997!

1. Clear width of the installation opening.
2. Foundation: C20/C25 gravel concrete, compacted.



[B000297] **The waterproofing of the foundation should be performed, the method and manner of the waterproofing depend on the soil-water conditions at the place of the product installation.**

3. The depth shall be below the freezing depth, specific for the region of installation, but not less than 1000 mm.
4. Bedding (grit or gravel)



- **The ends of anchor bolts to be set at one level.**
- **Maintain the true vertical when setting anchors in concrete.**
- **Use the product leaf axis marks when installing the product and verify the dimensions according to the drawing.**
- **The anchor bolt spacing is given in axes.**

8. FOUNDATION REINFORCEMENT

Fig. 3 square foundation

Fig. 4 round foundation

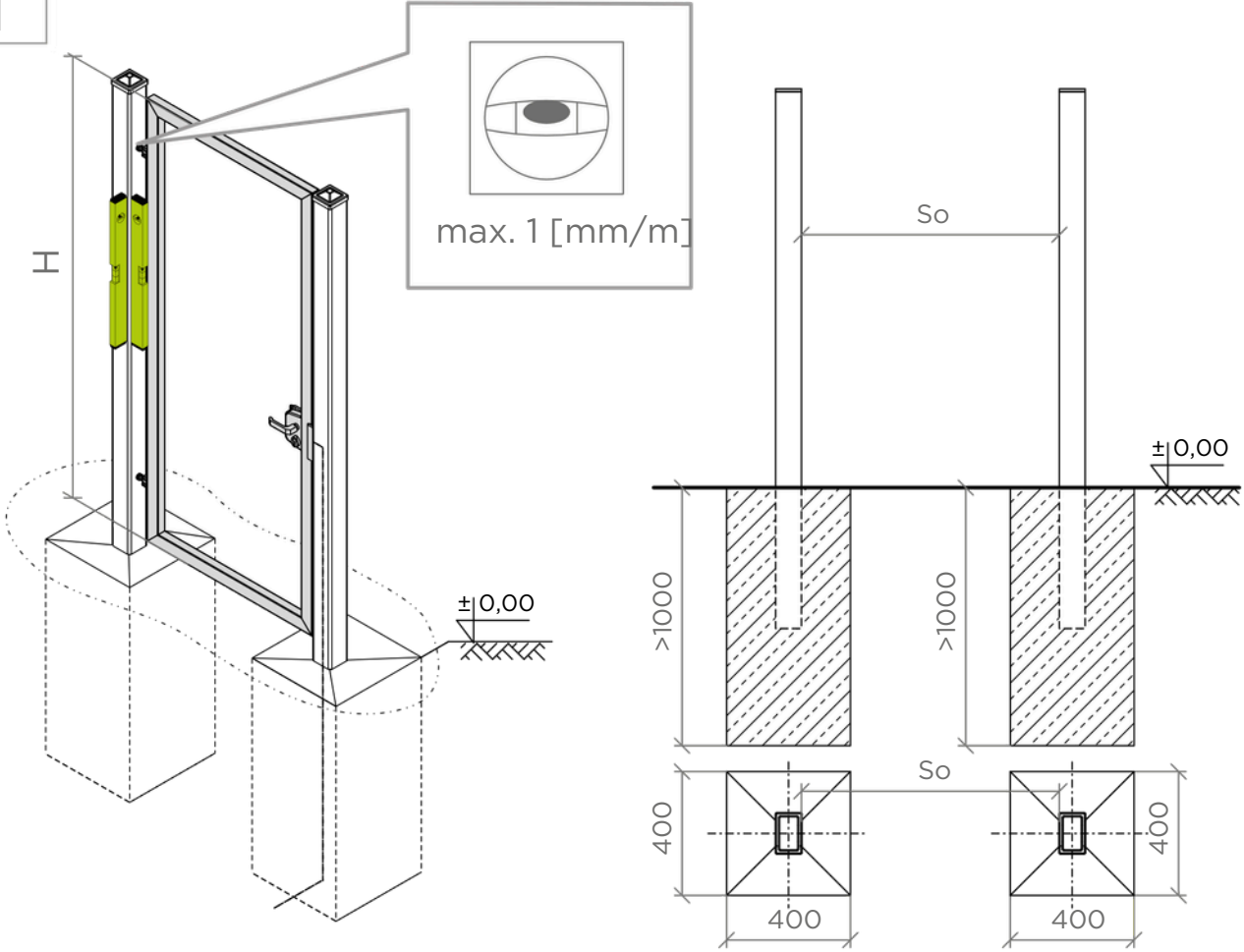
[D000508] Legend

- (*1) – the depth should go below the freezing depth, specific for the region where the installation takes place, but not less than 1000 [mm].
- (*2) – The surface of contact (with the ground or concrete) - use an additional protective cover to provide anti-corrosion protection for galvanized posts!
- (*3) – Or from other manufacturers with the strength properties which correspond to the anchor above.
- (*4) – finishing level (e.g. pitcher)
- (*5) – List of steel reinforcing elements
- (*6) – Diameter \varnothing [mm]
- (*7) – Length L [mm]
- (*8) – Number per element of N piece
- (*9) – Total length in [m] L_{tot}
- (*10) – Bar No.
- (*11) – Unit mass M_i [kg/m]
- (*12) – Mass M [kg]
- (*13) – Total mass M_{tot} [kg]
- (*14) – Steel A-IIIIN (RB500)
- (*15) – Concrete C20/25
- (*16) – Shell C_{min}

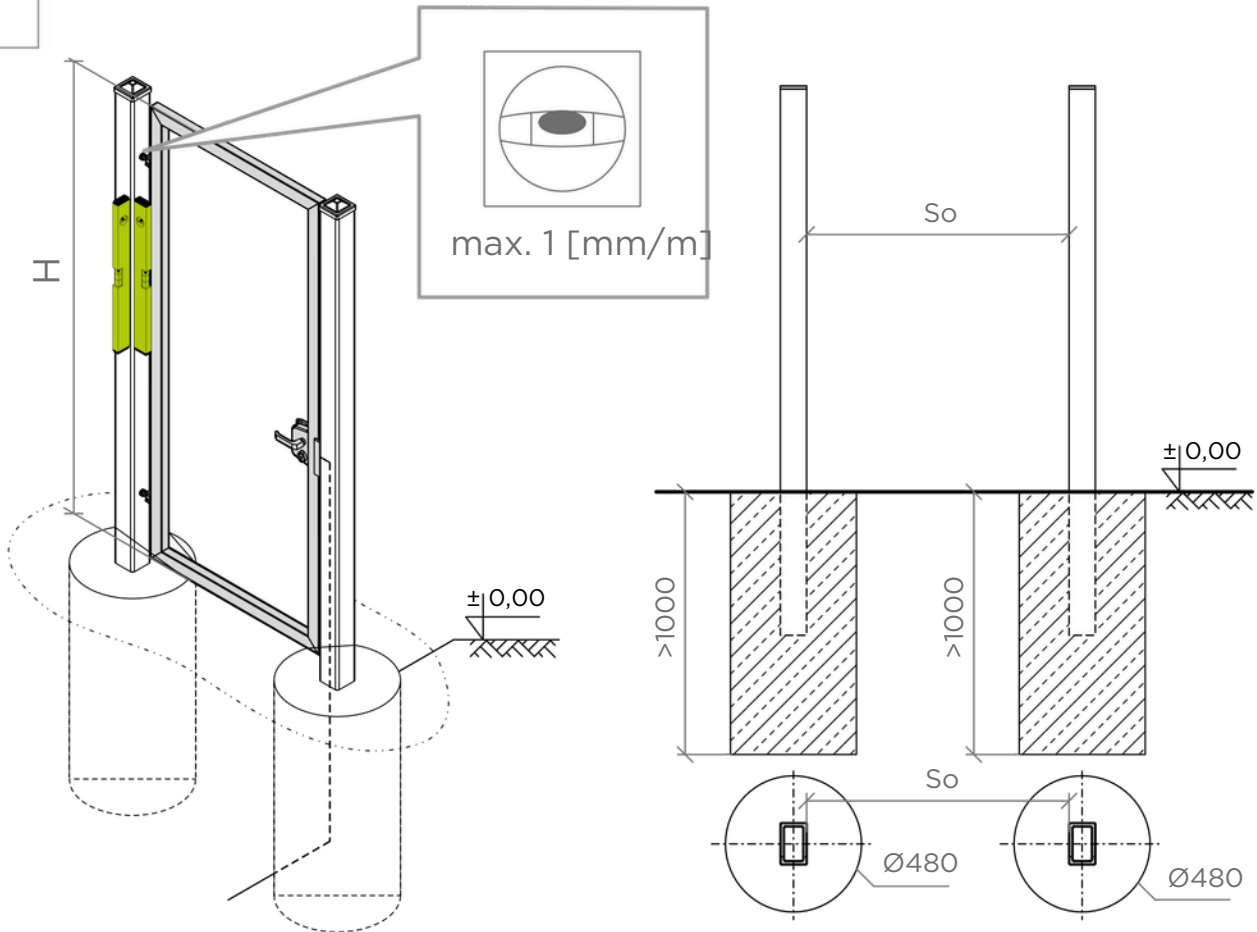


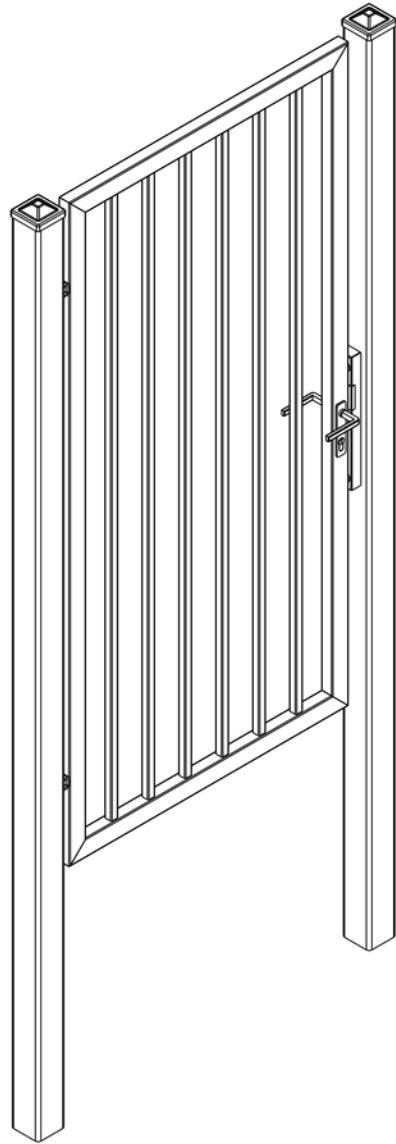
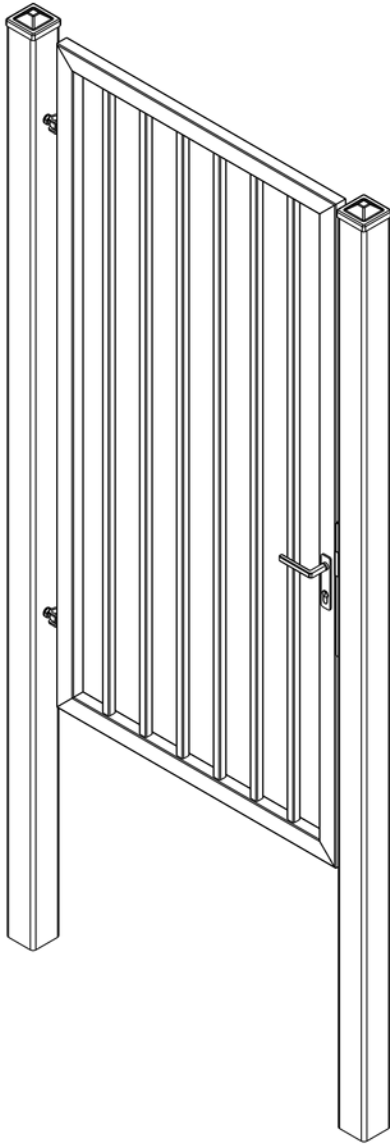
- **Do not fill the post with concrete!**
- **The drawing presents the minimum required reinforcement. Whether the foundation is performed correctly depends on the local ground and water conditions. In individual situations, foundation should be designed.**

1



2



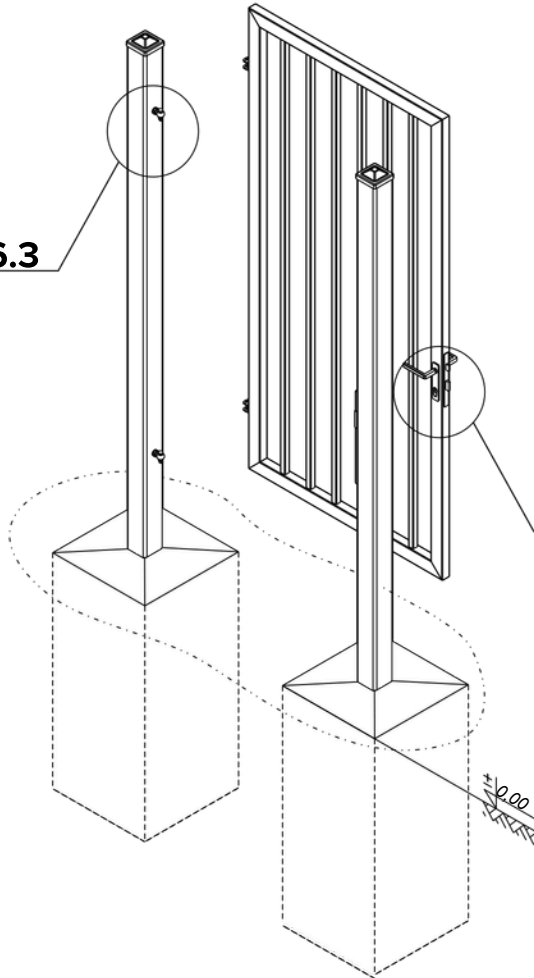
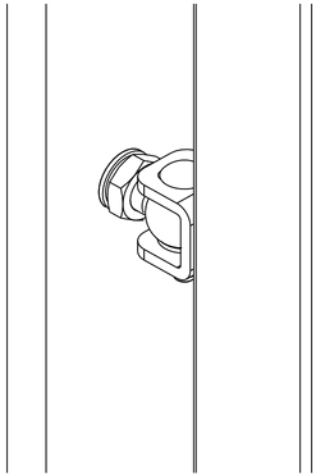


6

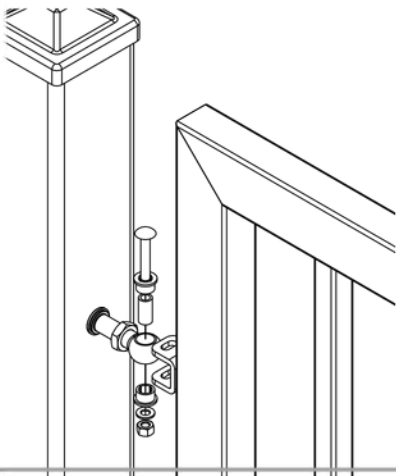
6.1 / 6.2 / 6.3

6.4 / 6.5

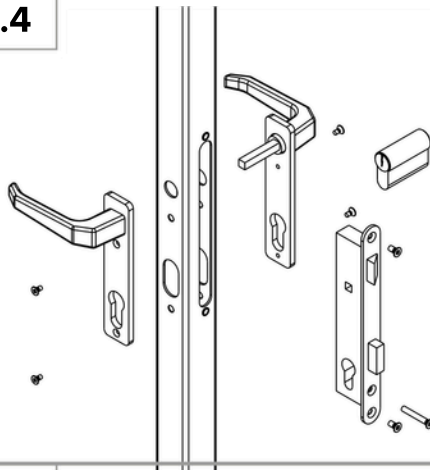
6.1



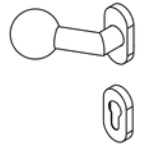
6.2



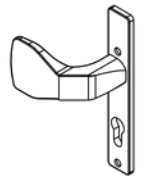
6.4



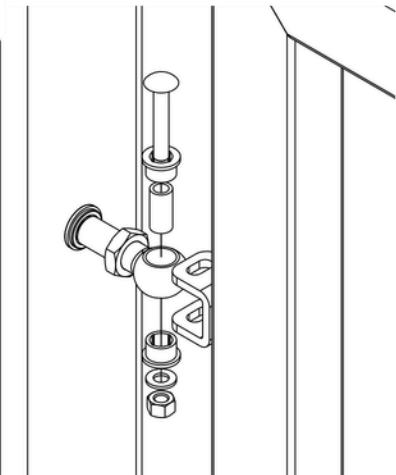
6.4a



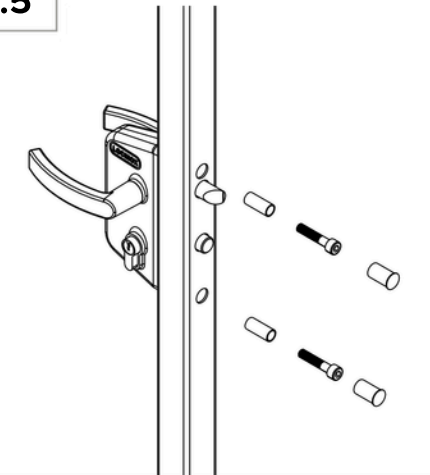
6.4b



6.3



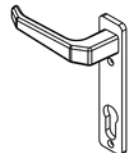
6.5



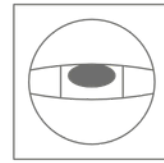
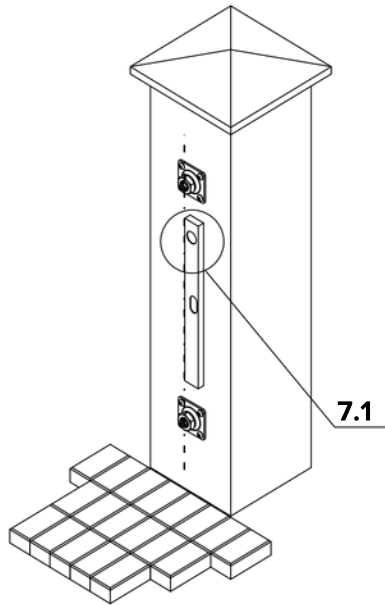
6.4c



6.4d

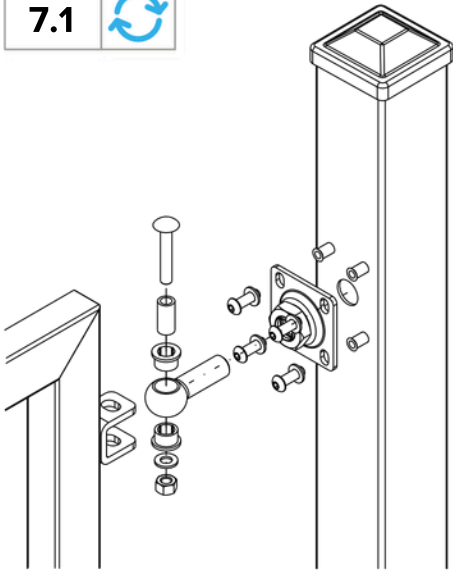


7

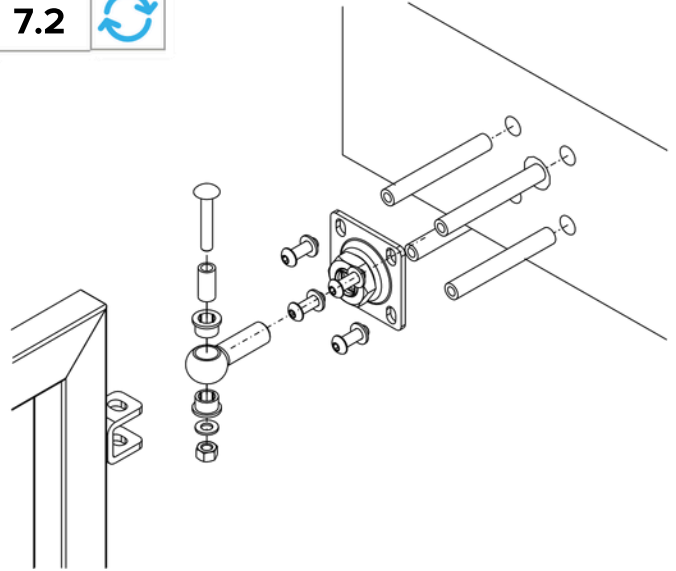


max. 1 [mm/m]

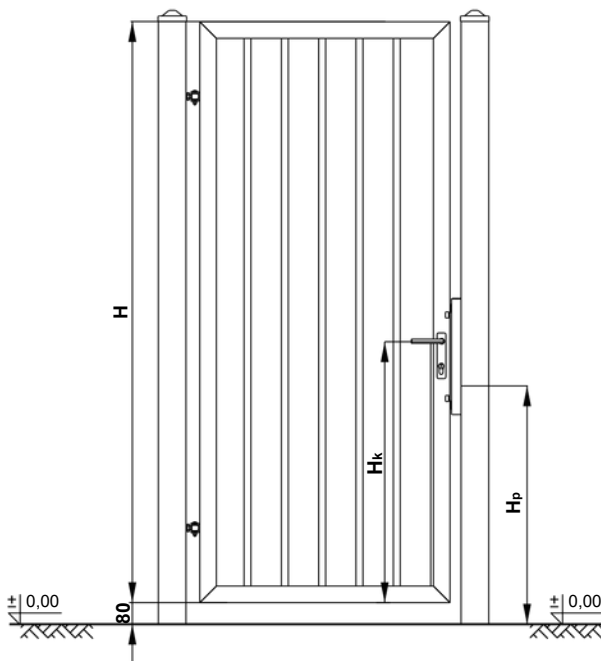
7.1



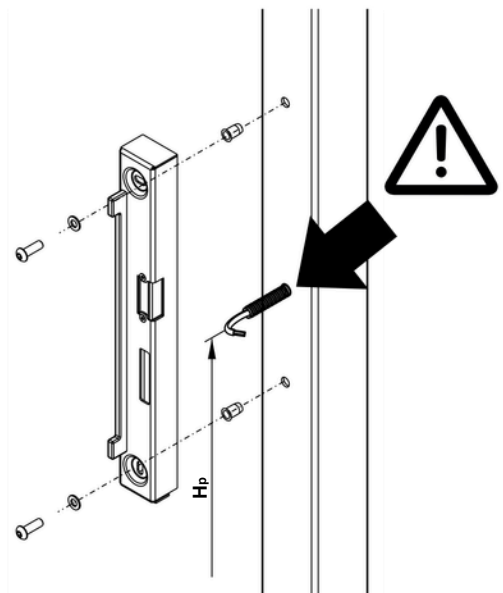
7.2



8



$$H_p = H_k - 50 + 80[\text{mm}]$$

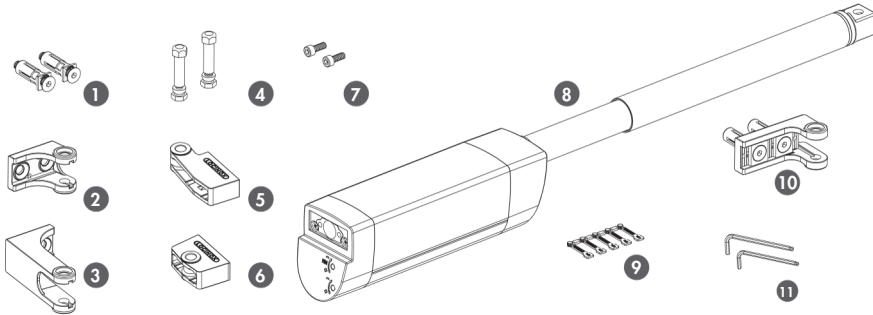


LOCINOX®

Let's make it better together

SAMSON-2: INSTALLATION INSTRUCTION

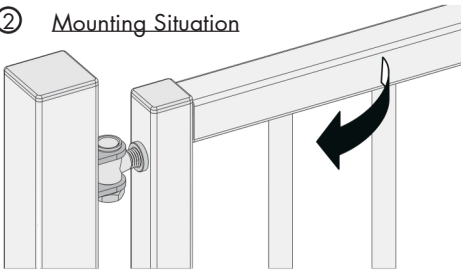
① Package content



1	Quick-Fix
2	90° post bracket
3	180° and Moroccan post bracket
4	Fixation bolts
5	90° tail bracket
6	180° and Moroccan tail bracket
7	Tail bracket bolts
8	Samson-2 gate closer
9	Plastic filler plugs
10	Gate bracket
11	Allen Keys (3 and 5 mm)

90° hinges

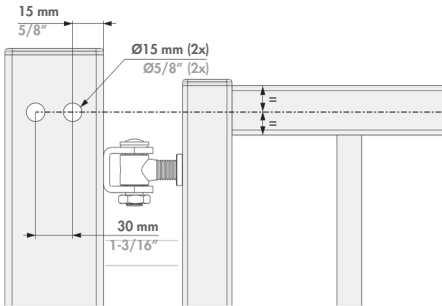
② Mounting Situation



③ Accessories



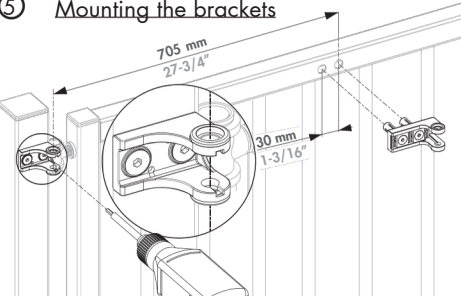
④ Profile and gate preparation



⚠ Min. distance to respect from post to wall

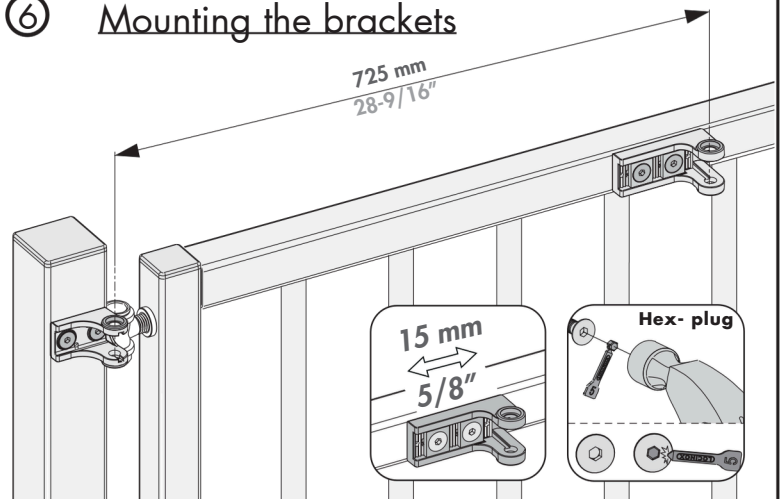
WALL/MUR/MAUER		A	B
MIN. 100 mm	MIN. 4"	0 ↔ 75 mm	0 ↔ 40 mm
		0 ↔ 3"	0 ↔ 1-9/16"
		0 ↔ 60 mm	0 ↔ 50 mm
		0 ↔ 2-3/8"	0 ↔ 2"
		0 ↔ 50 mm	0 ↔ 60 mm
		0 ↔ 2"	0 ↔ 2-3/8"

⑤ Mounting the brackets

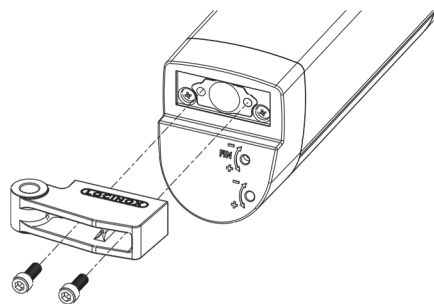


90° hinges

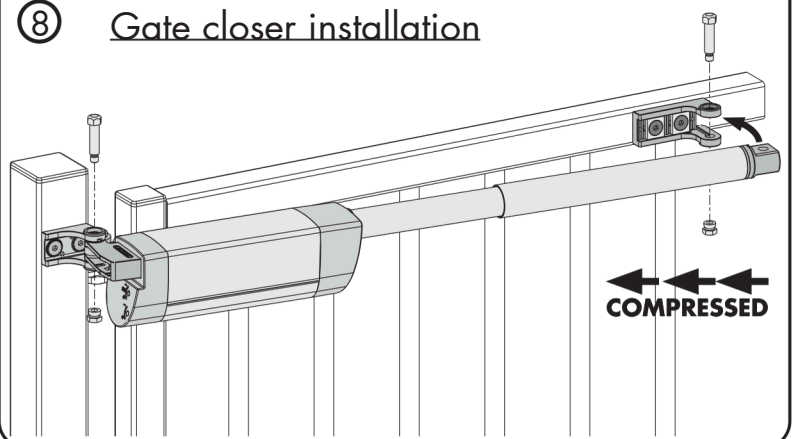
⑥ Mounting the brackets



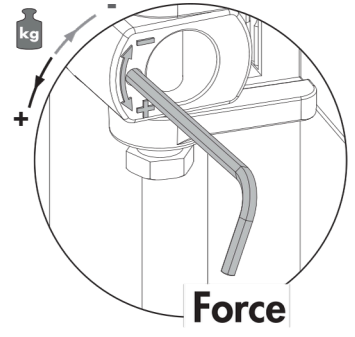
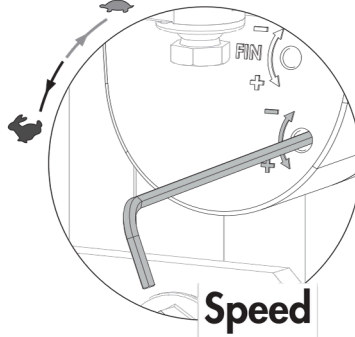
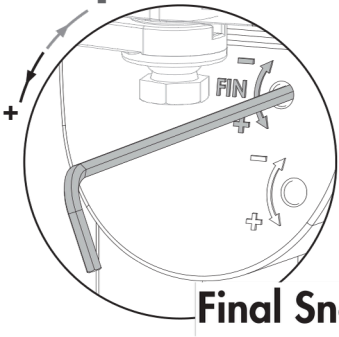
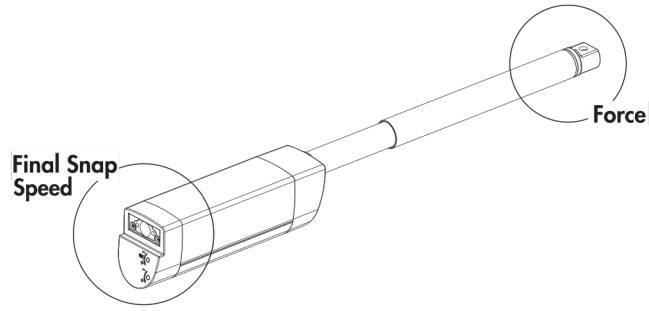
⑦ Samson-2 tail bracket installation



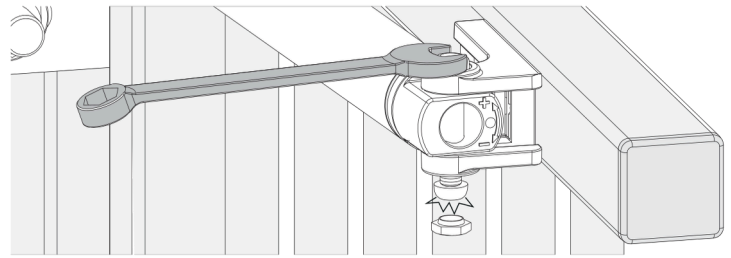
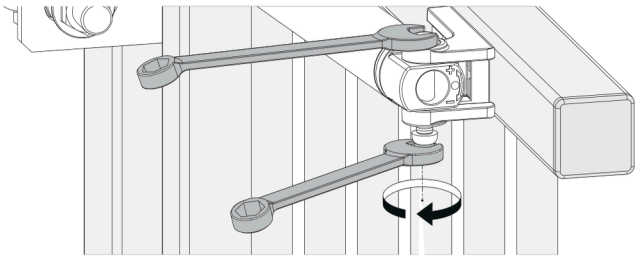
⑧ Gate closer installation



9 **Adjusting**
(3 mm Allen Key)



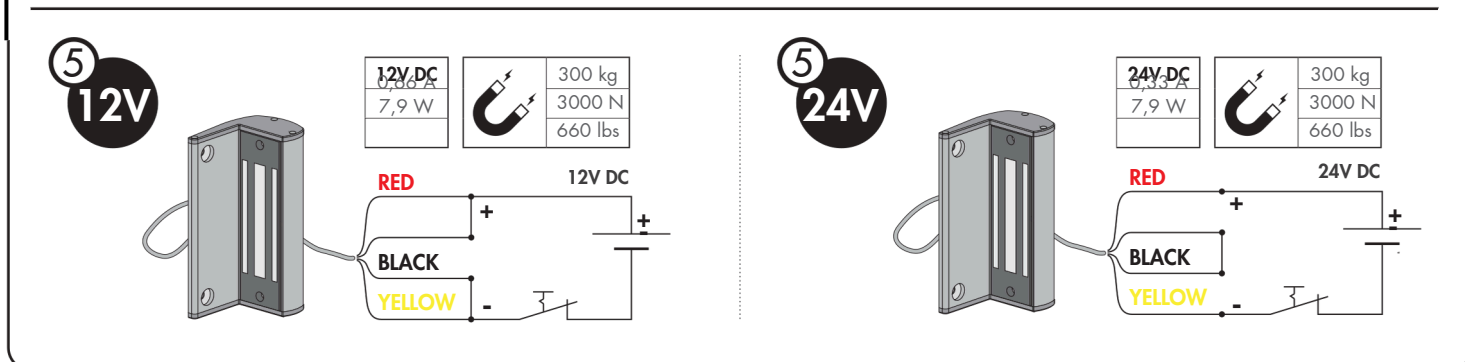
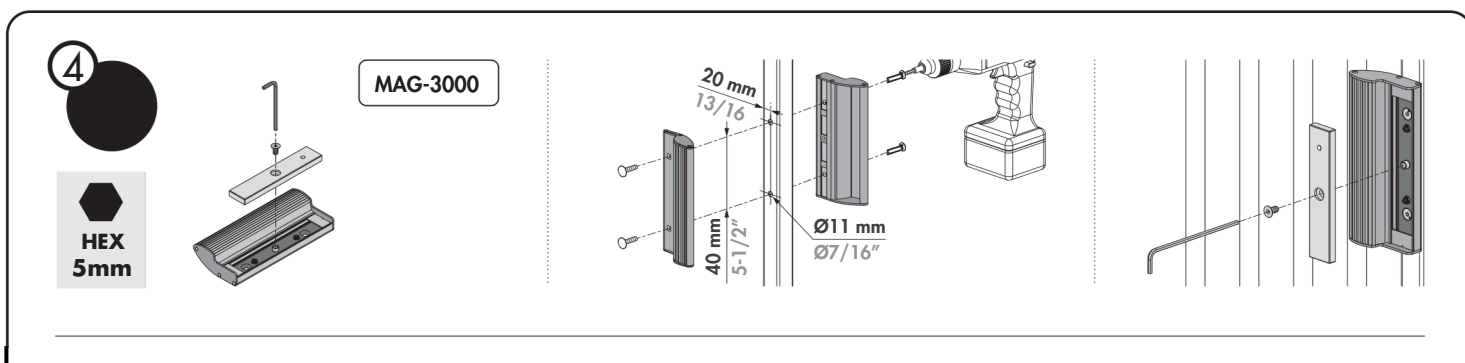
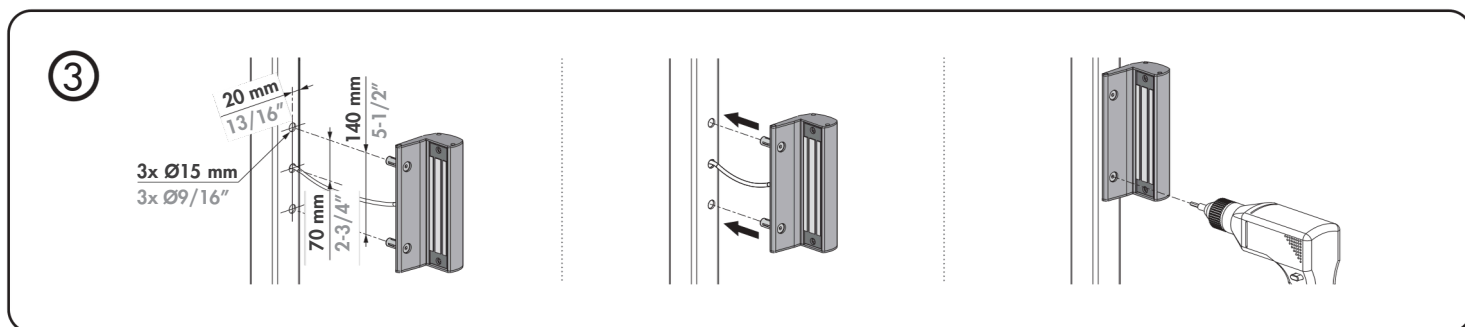
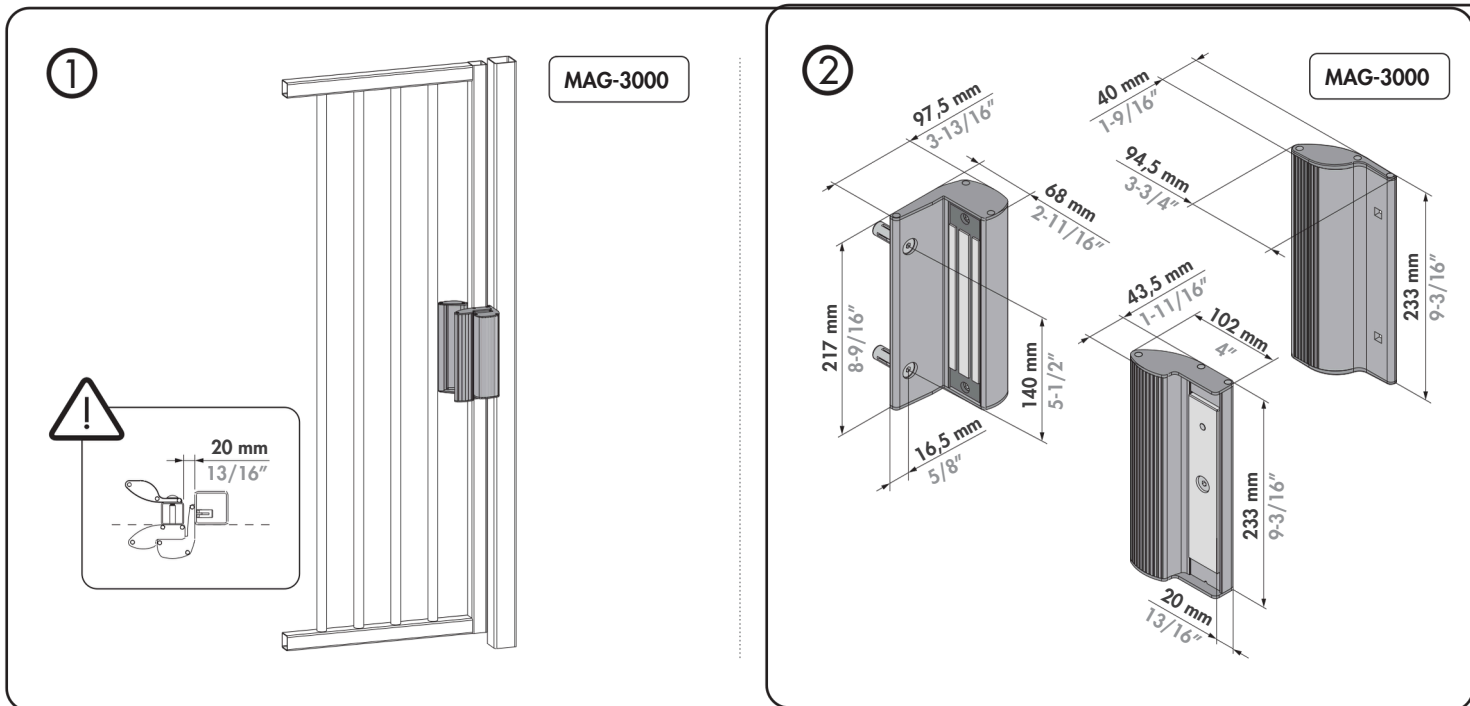
10 **Anti-theft protection**



MAG-3000 FAIL OPEN

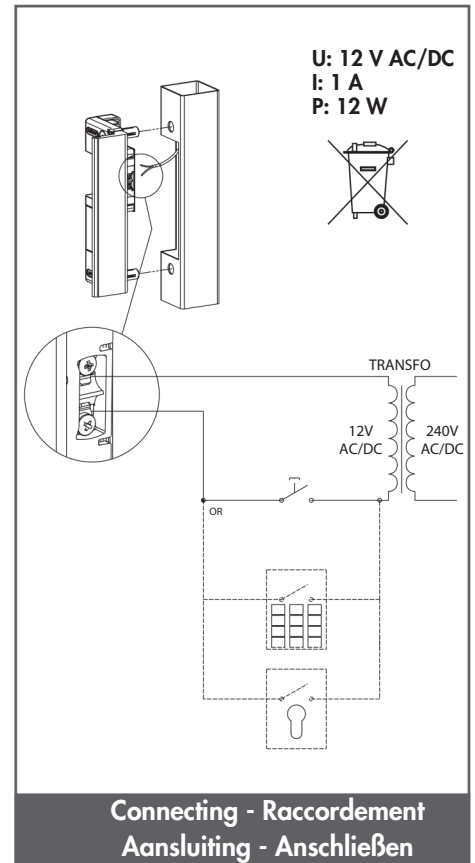
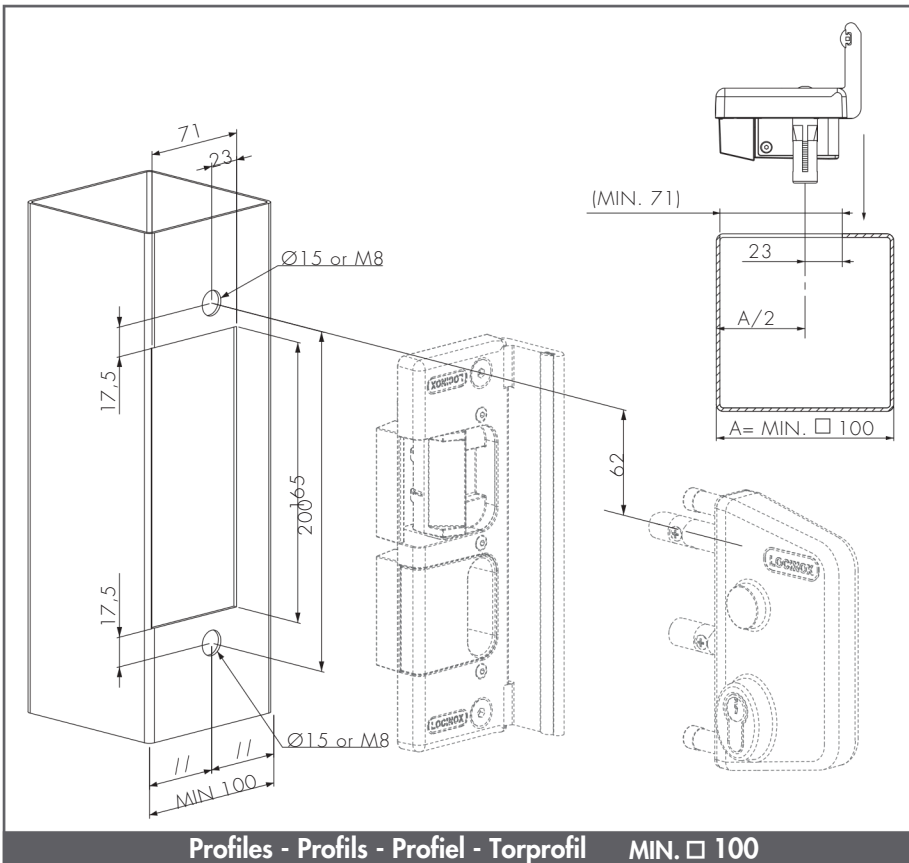
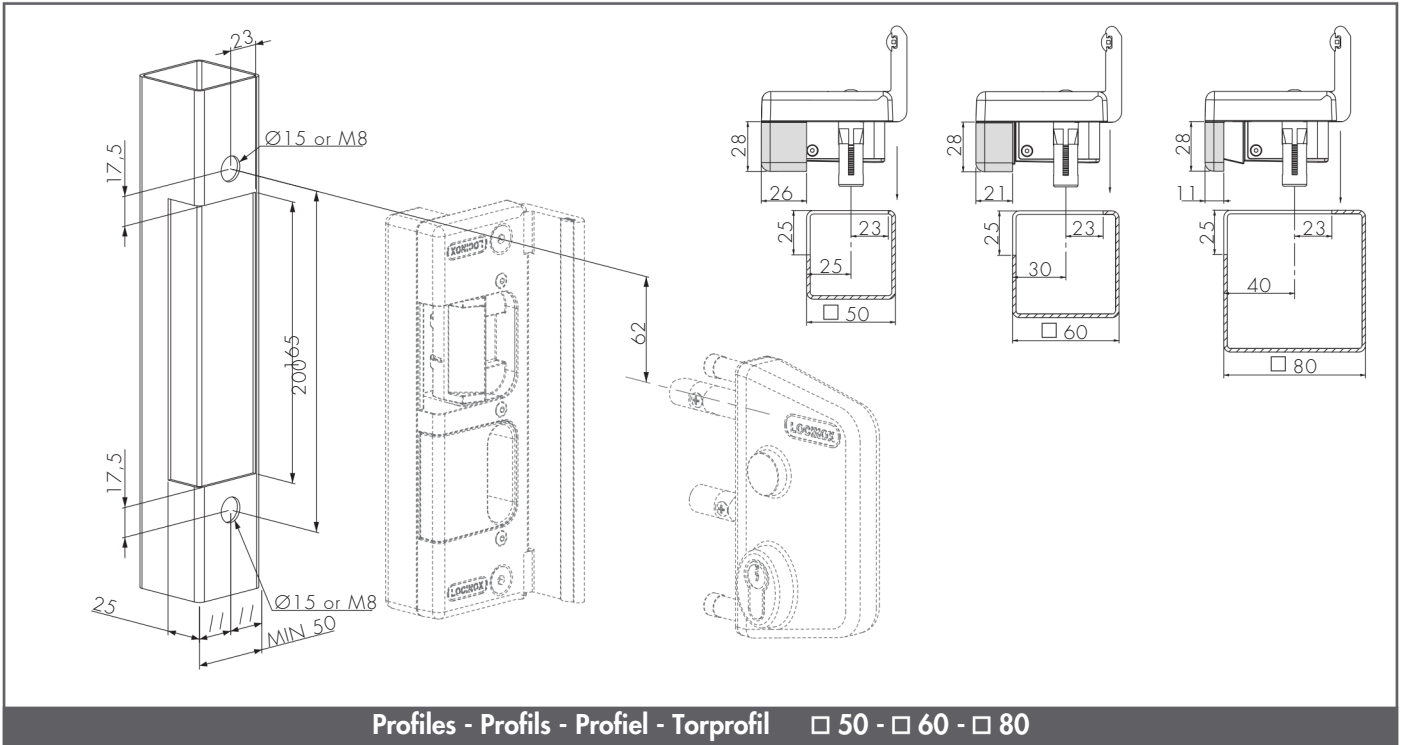
LOCINOX®

Let's make it better together



ELECTRIC STRIKE FAIL CLOSE

① Preparing profiles - Preparation des profils - Profiel voorbereiding - Torprofile vorbereiten





01283 512 111



www.firstfence.co.uk



sales@firstfence.co.uk