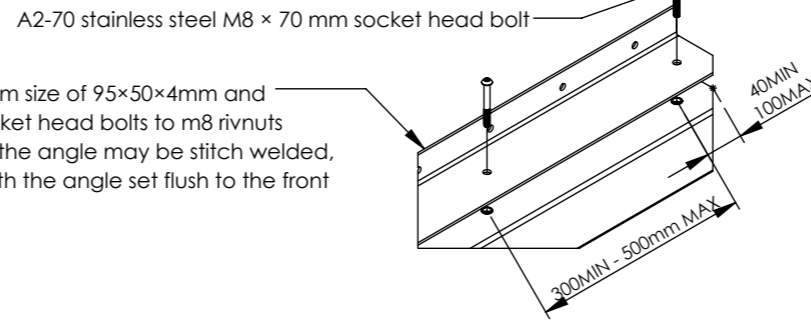


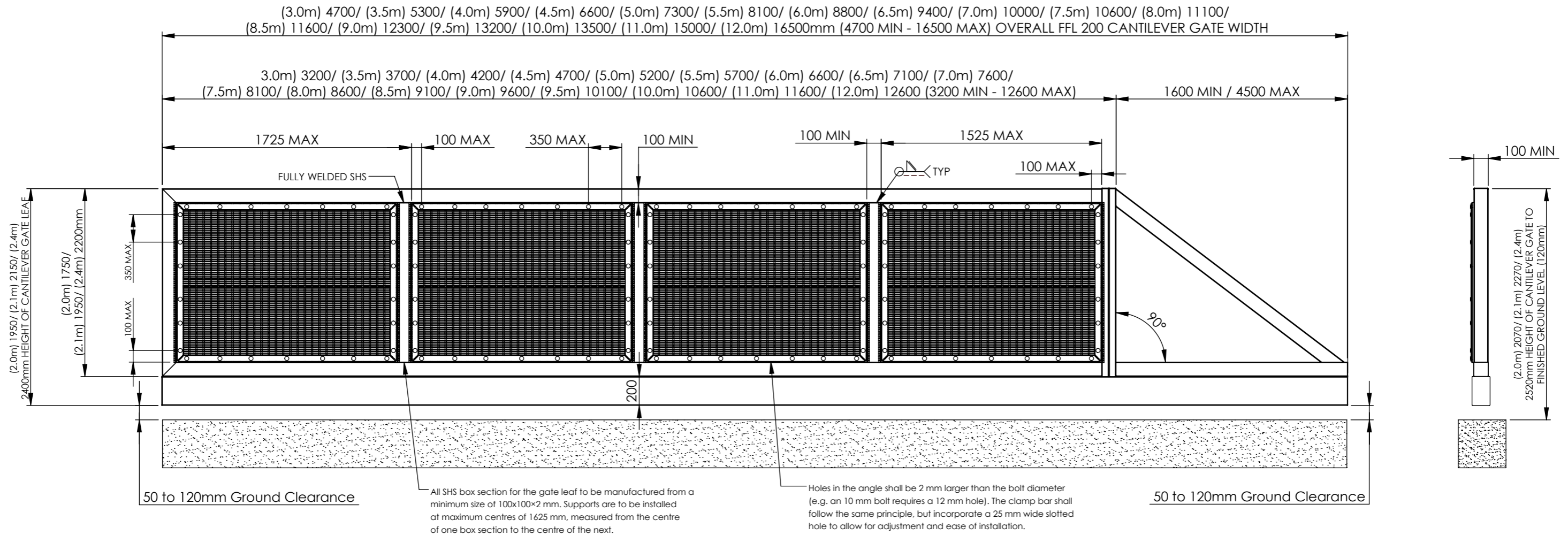
DO NOT SCALE DRAWING

Notes:

1. All materials to be mild steel and conform to relevant British standards.
2. All items to be pre-galvanised to BS EN 10346 or hot dip galvanised to ISO 1461.
3. Items can be powder coated on request, powder coating to : BS EN 13438
4. installation via R.A.M.S



Angle sections shall be a minimum size of 95x50x4mm and shall be fixed using M8 A2-70 socket head bolts to m8 rivnuts in the box section. Alternatively, the angle may be stitch welded, as per Palifence specification, with the angle set flush to the front face in both cases.

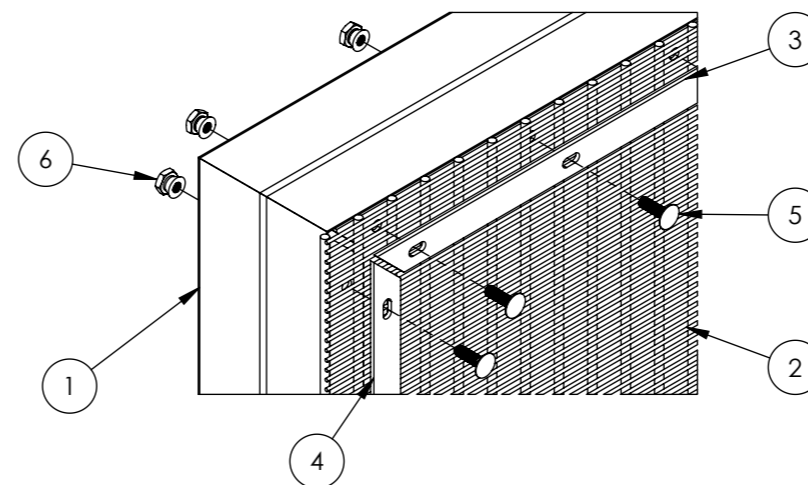


50 to 120mm Ground Clearance

All SHS box section for the gate leaf to be manufactured from a minimum size of 100x100x2 mm. Supports are to be installed at maximum centres of 1625 mm, measured from the centre of one box section to the centre of the next.

Holes in the angle shall be 2 mm larger than the bolt diameter (e.g. an 10 mm bolt requires a 12 mm hole). The clamp bar shall follow the same principle, but incorporate a 25 mm wide slotted hole to allow for adjustment and ease of installation.

50 to 120mm Ground Clearance



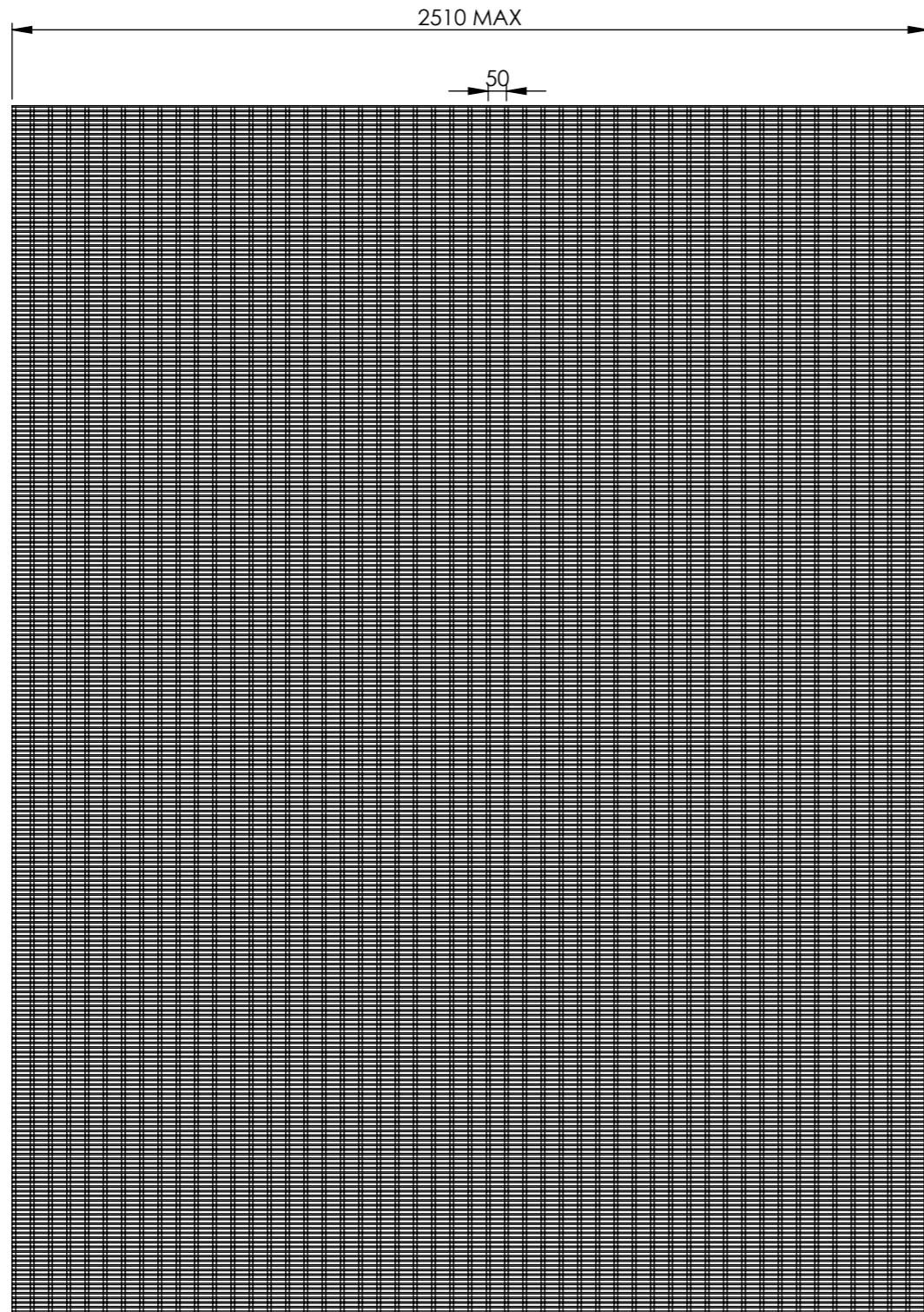
EXPLODED VIEW

Item	Component Name	Qty
1	PROFENCE 2X® - SR2 FFL 200 AUTOMATED CANTILEVER GATE WITH ANGLE TO SUIT PROFENCE 2X	1
2	PROFENCE 2X® - 3.0m HIGH X 2.5m WIDE SUPER 10 MESH FENCE PANEL CUT TO SIZE	4 MIN
3	PROFENCE 2X® - SR2 CROSS MEMBER CLAMP BAR CANTALIVER 40X5	8 MIN
4	PROFENCE 2X® - SR2 UPRIGHT MESH CLAMP BAR CANTALIVER 40X5	8 MIN
5	PROFENCE 2X® - CUP HEAD BOLT M10 MIN x 40mm GALVANISED BOLTS GRADE 8.8	104 MIN
6	PROFENCE 2X® - M10 MIN SNAP OFF NUT FOR SECURITY BOLTS GALVANISED	104 MIN

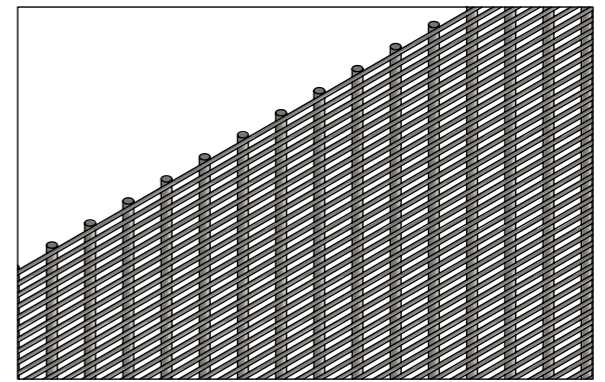
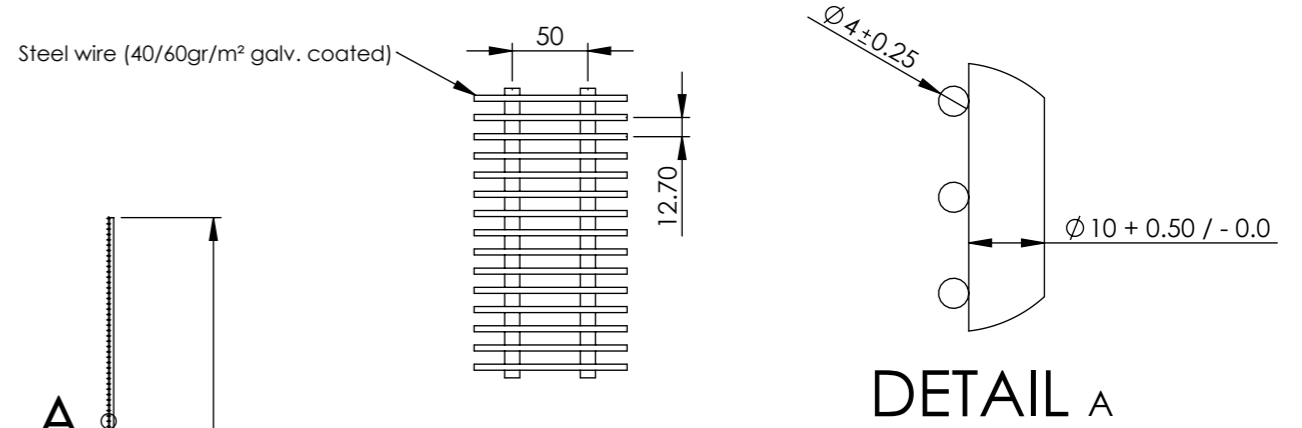
REV	DESCRIPTION	DATE

NAME	DATE	
DRAWN	W.P 17/04/2026	
APVD		
Tolerance	0 - 50mm ± 0.2mm	SKU: CANTILEVER PRO
	> 50 - 500mm ± 1mm	
	> 1000mm ± 3mm	
Material: Steel	TITLE: CANTILEVER PRO - PROFENCE 2X 358 - FFL200 - 1.8m x 2.4m High - 3.0m x 12.0m Wide	
WEIGHT: N/A	SCALE: 1:25	REV A A3
SHEET 7 OF 11		

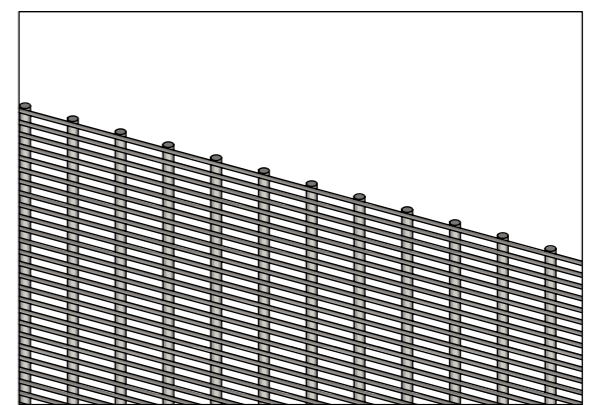
DO NOT SCALE DRAWING



The mesh panels used in the cantilever gate system are cut to size to precisely fit each gate segment. Once cut, the panels are securely bolted onto the gate frame using appropriate fixings to ensure structural integrity and consistent visual alignment with adjacent fencing systems.



3D VIEW 1



3D VIEW 2

Properties	Value
Tensile Strength	TS-EN- 10223-7- Rm:600 - 800 Mpa
	TS-EN- 10223-7- Rm:600 - 800 Mpa
Welding Breaking Strength	TS-EN- 10223-7- %50
	TS-EN- 10223-4- %75
Galvanised Coating	40 - 60 gr/m²
Polyester Powder Coating	70 - 100 micron
Thermoplastic (PVC) Coating	80 - 150 micron
Hot Dipped Galvanized Coating	TS-EN- 10244-2- (Min. 320 gr/m²)

REV	DESCRIPTION	DATE

NAME	DATE		
DRAWN	W.P 17/04/2026		
APVD			
Tolerance	0 - 50mm	± 0.2mm	CANTILEVER PRO
	> 50 - 500mm	± 1mm	
	>1000mm	± 3mm	
Third Angle Projection		TITLE:	REV
Material: N/A		CANTILEVER PRO - PROFENCE 2X	A
WEIGHT: N/A		358 - FFL200 - 1.8m x 2.4m High	A3
		- 3.0m x 12.0m Wide	
		SCALE: N/A	SHEET 8 OF 11