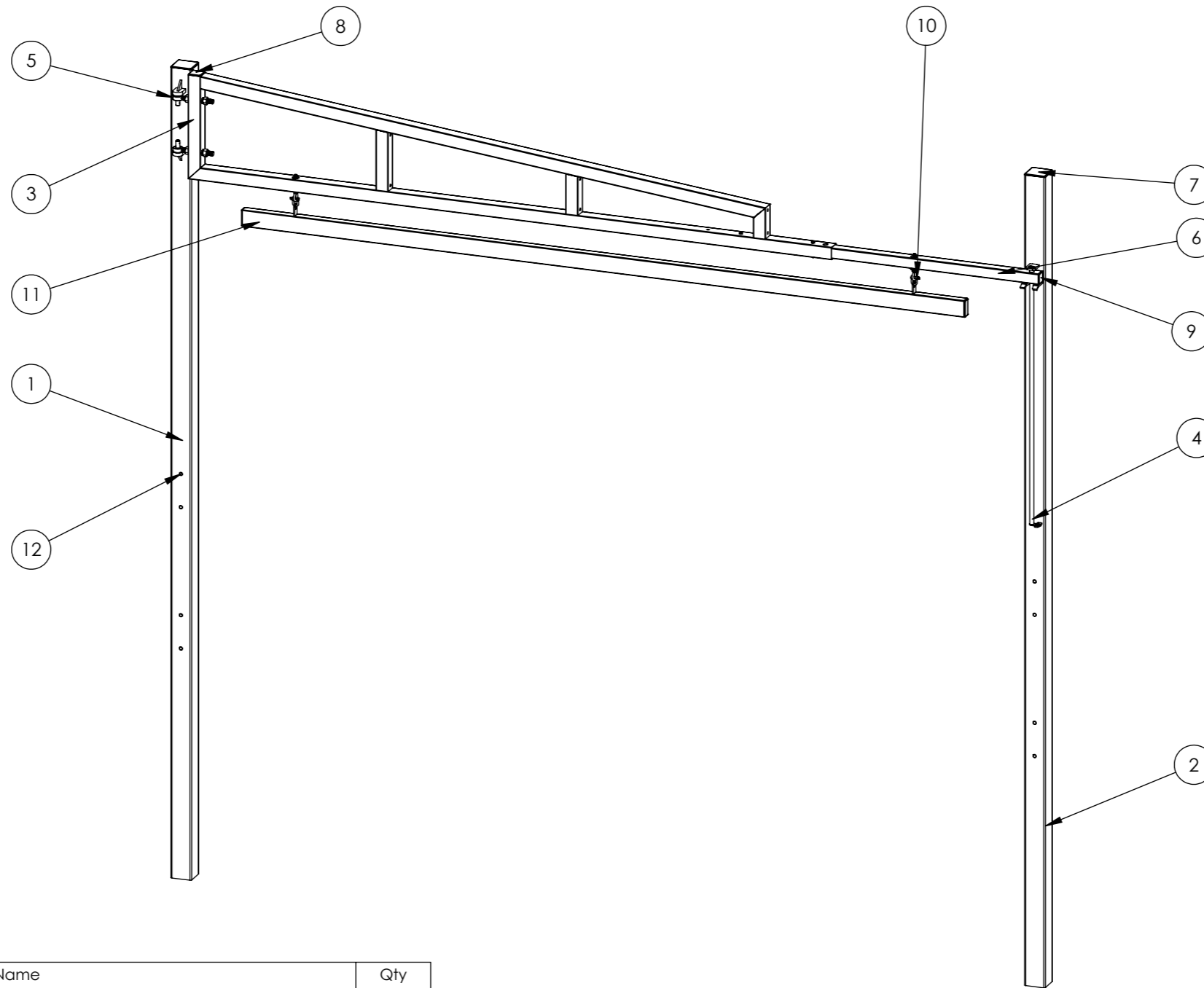


DO NOT SCALE DRAWING


Notes:

1. All materials to be mild steel and conform to relevant British standards.
2. All items to be pre-galvanised to BS EN 10346 or hot dip galvanised to ISO 1461.
3. Items can be powder coated on request, to custom colours to : BS EN 13438



Item	Component Name	Qty
1	SWI-HIN-0010 - 2.2m HIGH SWING BARRIER DIG IN HINGE POST 100x100 BOX - PRE GALVANISED	1
2	SWI-REC-0010 - 2.2m HIGH SWING BARRIER DIG IN RECEIVER POST 100x100 BOX - PRE GALVANISED	1
3	SWI-LEAF-2100 - 0.5m HIGH X 3.0m WIDE HEIGHT BARRIER LEAF - PRE GALVANISED	1
4	SWI-LOCK-0010 - LOCK KIT FOR HEIGHT RESTRICTOR SWING BARRIER	1
5	ACCS-GEN-0001 - ADJUSTABLE GATE EYE 150mm cw 20mm	2
6	SWI-BAR-0400 - 1.5M TELESCOPIC BEAM KIT FOR SWING BARRIER ARM	1
7	ACCS-RIB-0006 - 100X100 BLACK RIBBED INSERTS	2
8	ACCS-RIB-0003 - 60x60 BLACK RIBBED INSERTS	1
9	ACCS-RIB-0010 - 50x50 BLACK RIBBED INSERT	1
10	NUDG-KIT-0100 - HEIGHT RESTRICTOR NUDGE BAR FIXINGS KIT	1
11	SWI-BAR-0360 - NUDGE BAR 80x40mm x 3500mm WELDED LUGS	1
12	UNI-SLIDE-5010 - 15MM PLASTIC RIBBED PLUG	16
13	SWI-CAT-0010 - CATCH KIT FOR HIGH LEVEL SWING ARM WITH NUDGE BAR ONLY	1

REV	DESCRIPTION	DATE

NAME	DATE	 SWI-KIT-3060
DRAWN	A.T 29/05/2026	
APVD		

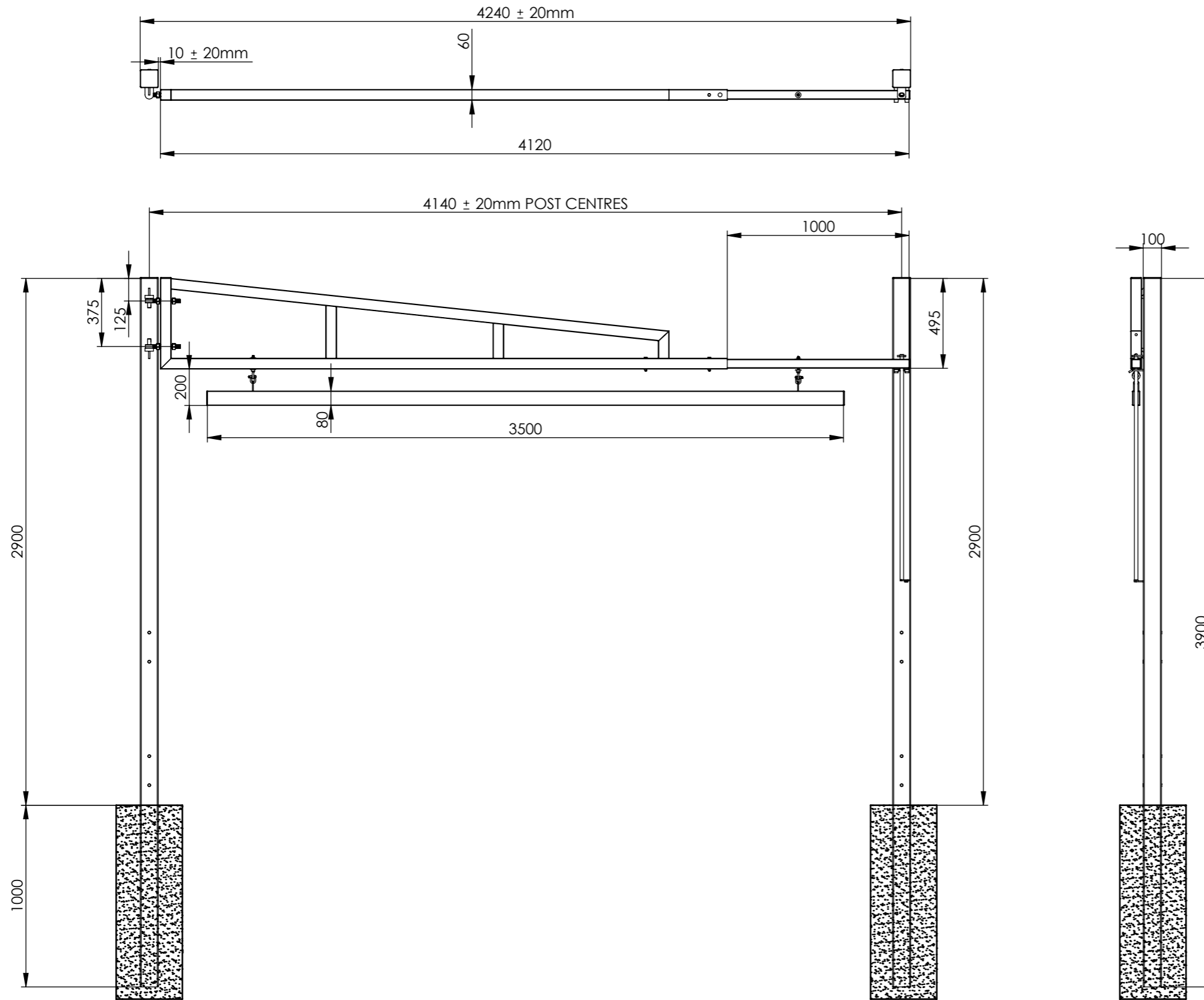
Tolerance	0 - 50mm	± 0.2mm
	> 50 - 500mm	± 1mm
	>1000mm	± 3mm

Material: STEEL	TITLE: 2.2M HIGH X 4.0M WIDE EXTENDED SWING BARRIER WITH HIGH LEVEL SWING ARM ONLY KIT	REV A
WEIGHT: 106.3 KILOGRAMS ± 5%	SCALE: 1:25	SHEET 1 OF 2



DO NOT SCALE DRAWING

Notes:

1. All materials to be mild steel and conform to relevant British standards.
2. All items to be pre-galvanised to BS EN 10346 or hot dip galvanised to ISO 1461.
3. Items can be powder coated on request, to custom colours to : BS EN 13438



REV	DESCRIPTION	DATE

DRAWN	NAME	DATE	 SWI-KIT-3060
APVD	A.T	29/05/2026	
Tolerance	0 - 50mm	± 0.2mm	
	> 50 - 500mm	± 1mm	SKU:
	>1000mm	± 3mm	2.2M HIGH X 4.0M WIDE EXTENDED SWING BARRIER WITH HIGH LEVEL SWING ARM ONLY KIT
 Third Angle Projection			TITLE:
Material: STEEL			REV
WEIGHT: 106.3 KILOGRAMS ± 5%			A
SCALE: 1:25			A3
SHEET 2 OF 2			