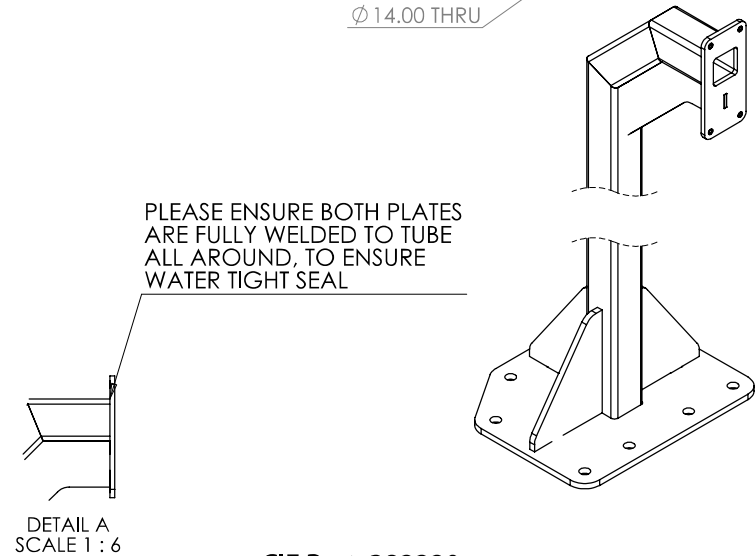
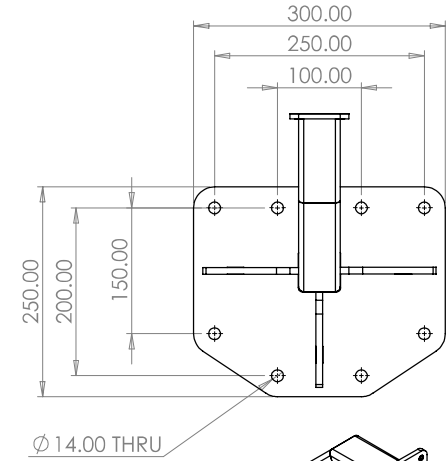
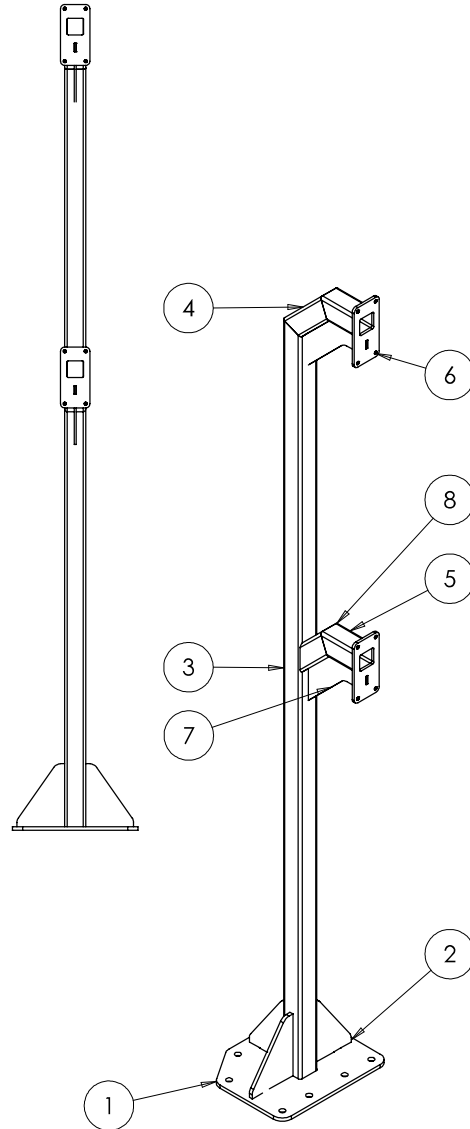
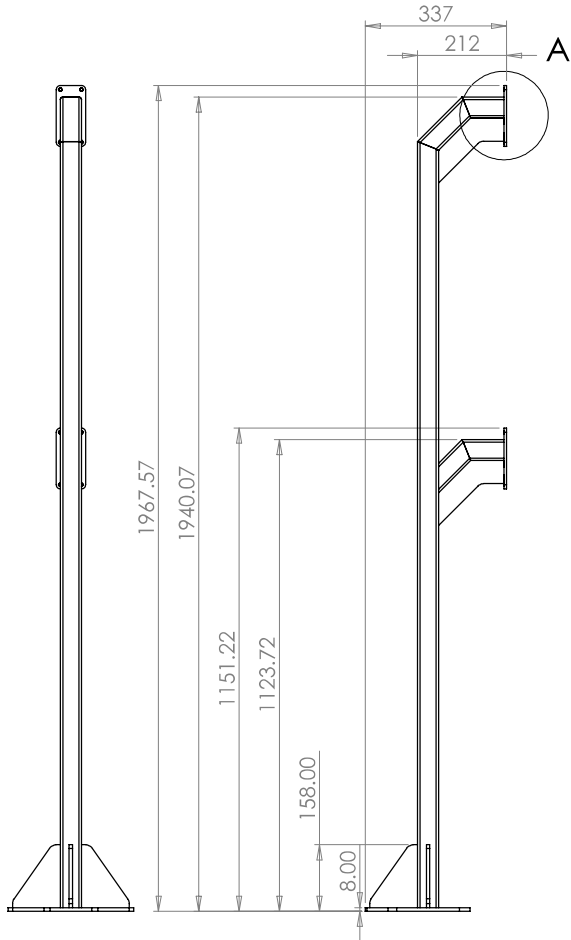


Double height Gooseneck stand for door intercoms



Notes

1. All Burrs & Sharp edges must be removed
2. All Dimensions Are Prior To Adding a Finish

CIE Part: 382220

ITEM NO.	PART NUMBER	DESCRIPTION	QTY.
1	AM3162	Intercom Stand Base	1
2	AM3163	Intercom Stand Supports	3
3	T1000	50mm x 50mm SQ Tube(1834mm)	1
4	T1001	50mm x 50mm SQ Tube(150mm)	1
5	T1002	50mm x 50mm SQ Tube(100mm)	2
6	AM3164	Intercom Stand Mount Plate	2
7	AM3165	Intercom Stand Angled Support Plate	2
8	T1003	T1003 - 50mm x 50mm SQ Tube(109mm)	1