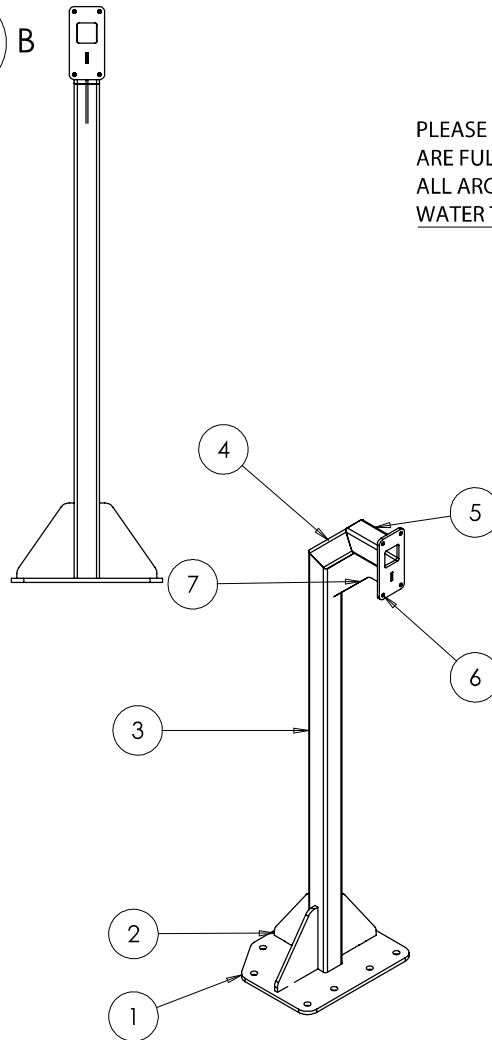
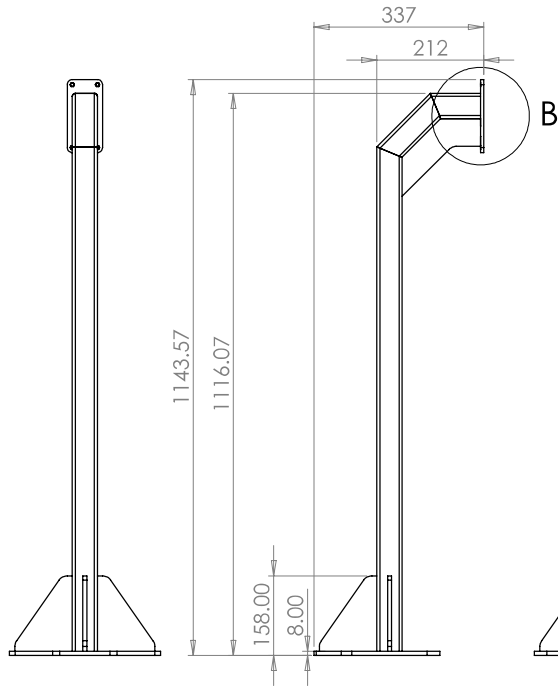
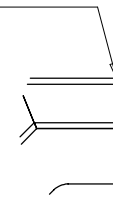


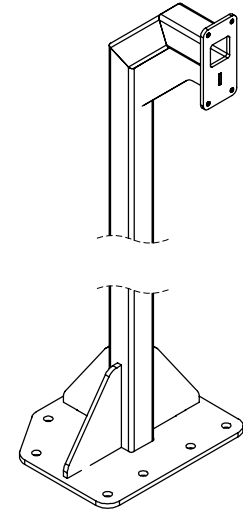
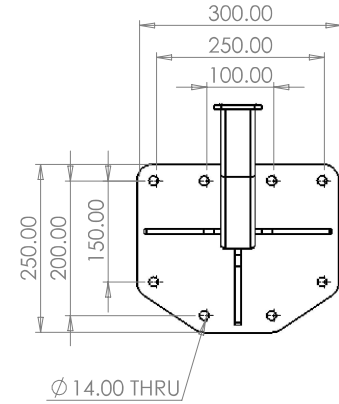
Single height Gooseneck stand for door intercoms



PLEASE ENSURE BOTH PLATES ARE FULLY WELDED TO TUBE ALL AROUND, TO ENSURE WATER TIGHT SEAL



DETAIL B
SCALE 1 : 5



Notes

1. All Burrs & Sharp edges must be removed
2. All Dimensions Are Prior To Adding a Finish

CIE Part: 382210

ITEM NO.	PART NUMBER	DESCRIPTION	QTY.
1	AM3162	Intercom Stand Base	1
2	AM3163	Intercom Stand Supports	3
3	T1004	50mm x 50mm SQ Tube (1010mm)	1
4	T1001	50mm x 50mm SQ Tube(150mm)	1
5	T1002	50mm x 50mm SQ Tube(100mm)	1
6	AM3164	Intercom Stand Mount Plate	1
7	AM3165	Intercom Stand Angled Support Plate	1