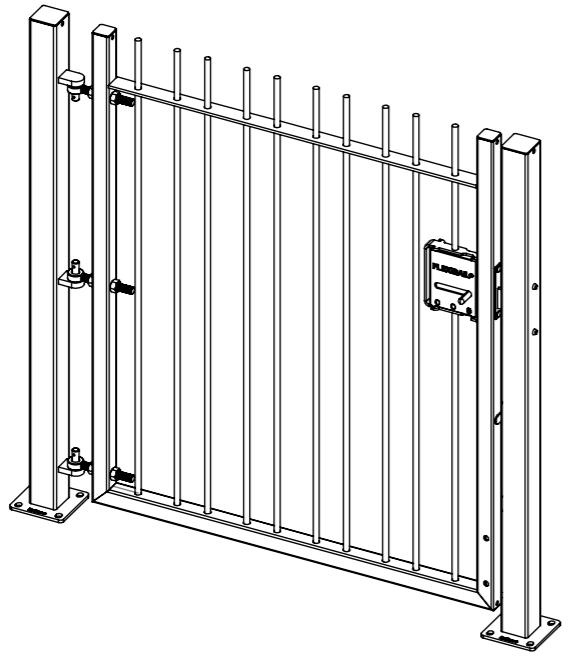
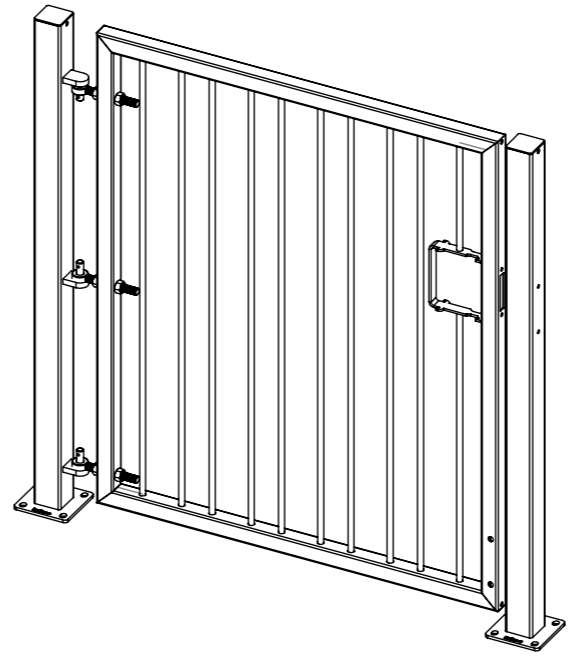


DO NOT SCALE DRAWING

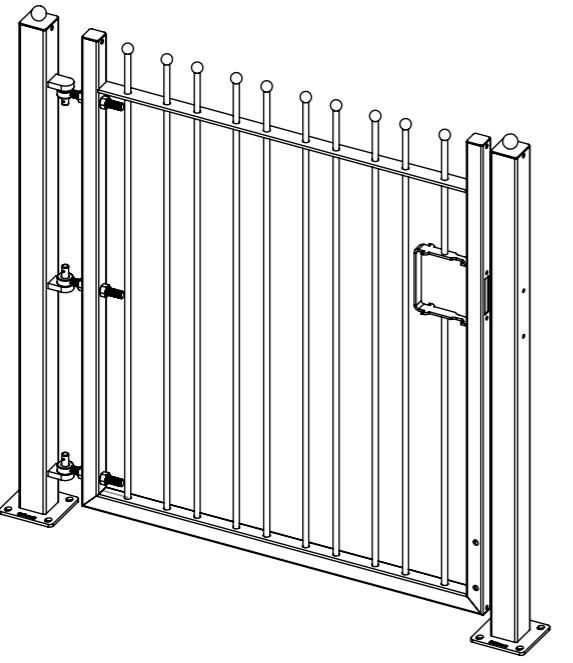
FlexiRail System - Infill Types



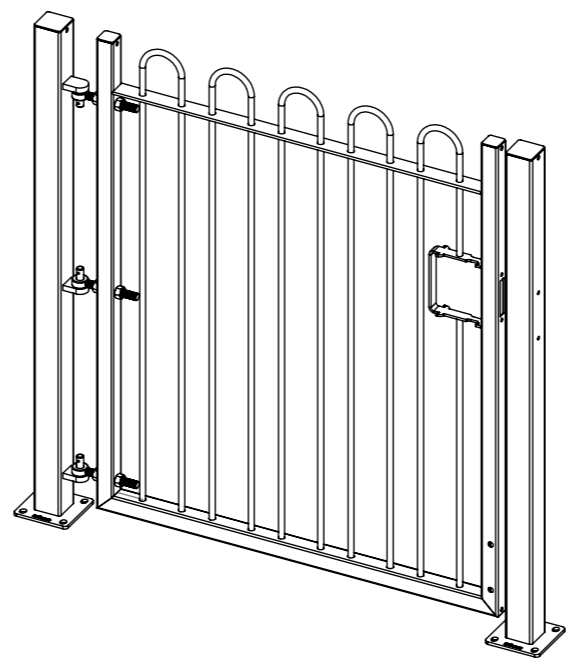
Vertical Bar



Flat Top



Ball Top




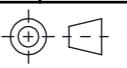
Bow Top

FlexiRail Railing Gates

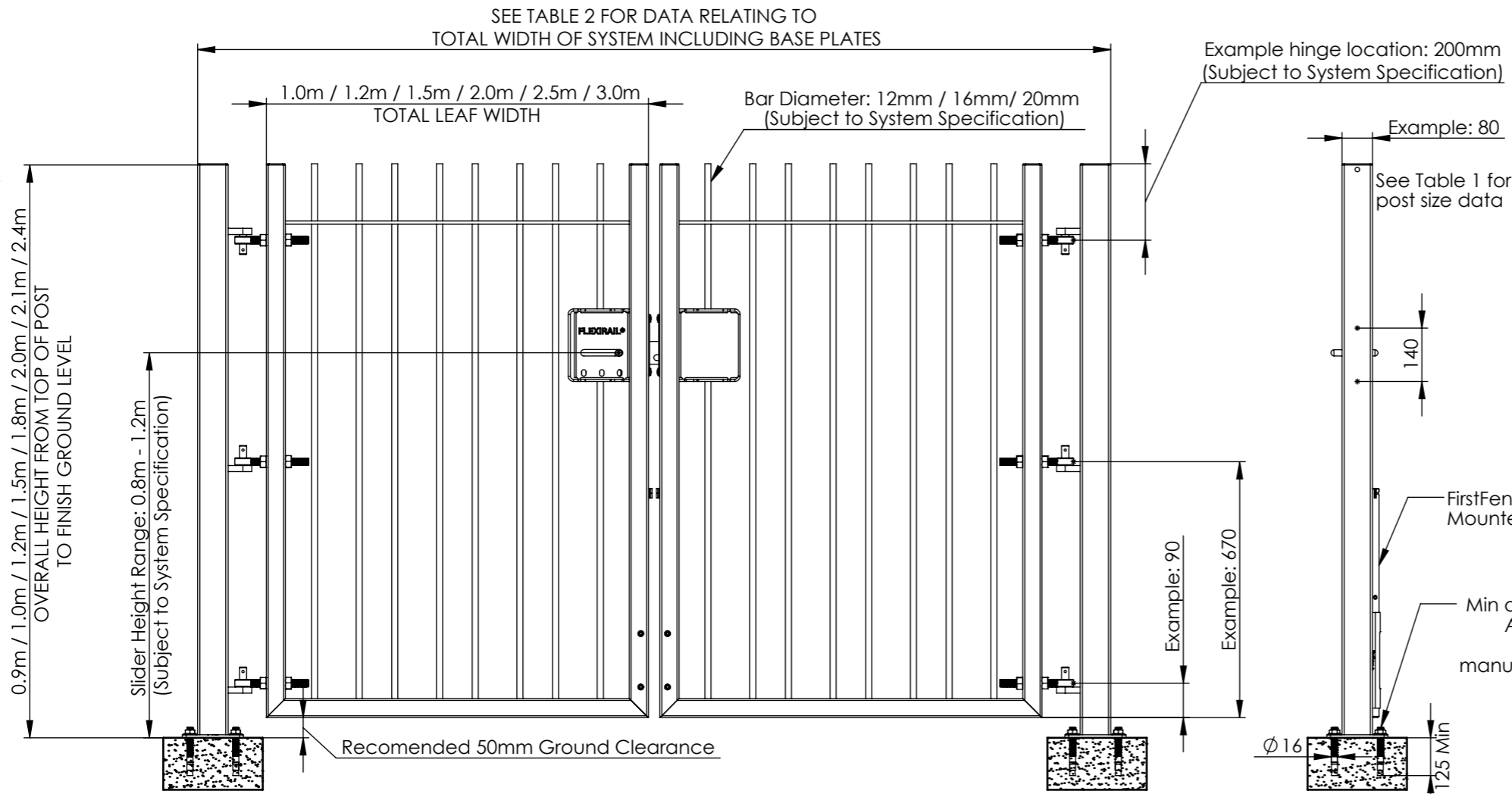
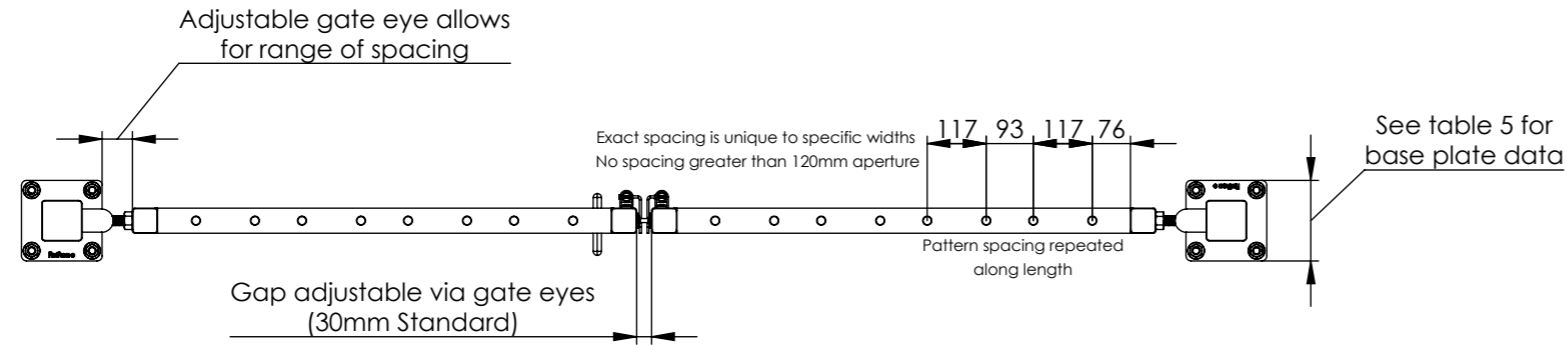
The FlexiRail gate system is designed as a modular and adaptable solution for a wide range of boundary and access control applications.

It supports multiple infill configurations while maintaining a consistent structural framework. Each infill type provides its own functional and aesthetic qualities, allowing selection to suit specific visual requirements and environmental contexts.

Manufactured for durability, dimensional accuracy, and ease of integration, the FlexiRail range enables efficient installation and reliable long-term performance in both commercial and residential settings.

| | | | | |
|--|--------------|------------|--|---|
| NAME | | DATE | |  FLEXIRAIL |
| DRAWN | | 15/05/2026 | | |
| APVD | | | | |
| Tolerance | 0 - 50mm | ± 0.2mm | | SYSTEM: |
| | > 50 - 500mm | ± 1mm | | |
| | > 1000mm | ± 3mm | | |
|  Third Angle Projection | | | | TITLE: |
| | | | | FlexiRail System Infill Types |
| | | | | REV |
| | | | | A |
| | | | | A3 |
| SCALE: 1:20 | | | | SHEET 1 OF 4 |

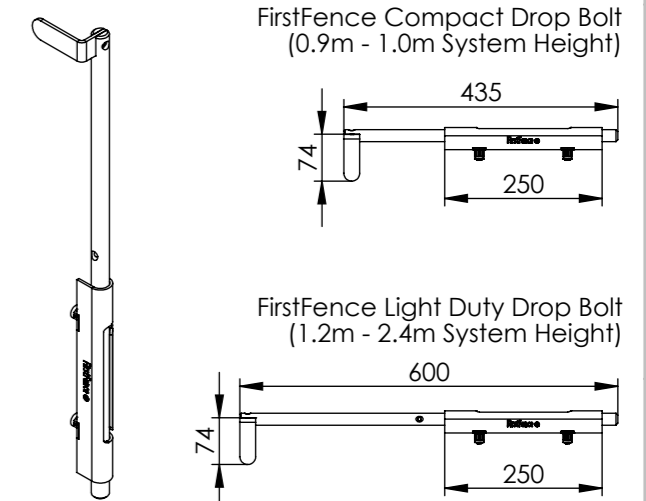
DO NOT SCALE DRAWING



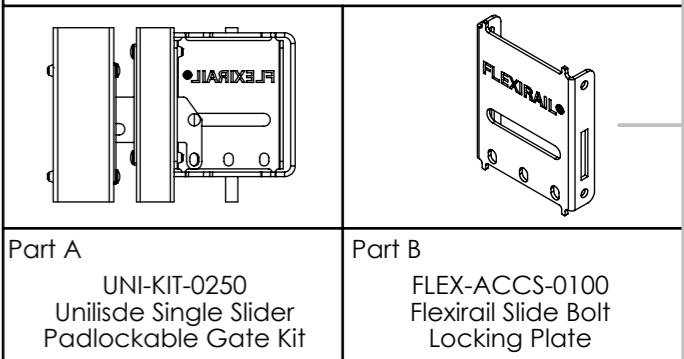
Notes:

1. All material to be mild steel and conform to relevant British Standards
2. All items to be Galvanised or Zinc Plated
3. Items can be powder coated on request

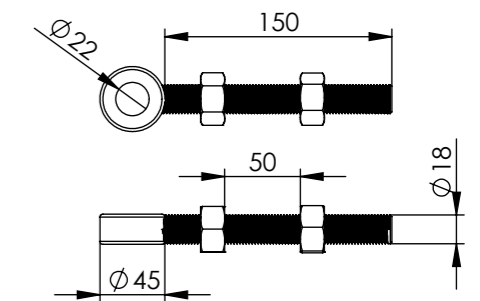
All gates to be supplied with a FirstFence Drop bolt (Subject to System Specification)



All gates to be supplied with Unislide Single Kit (Other lock systems available on request)

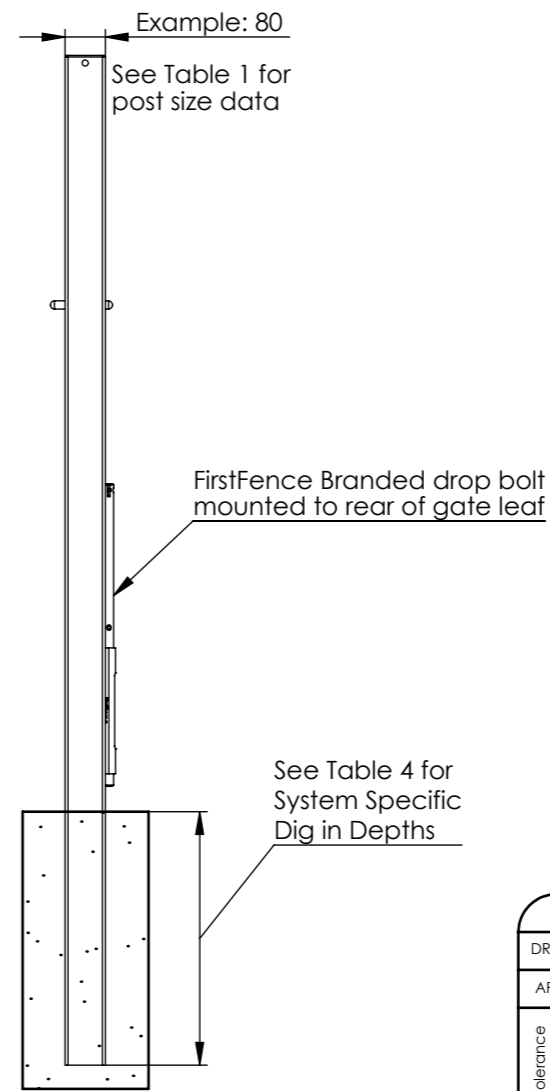
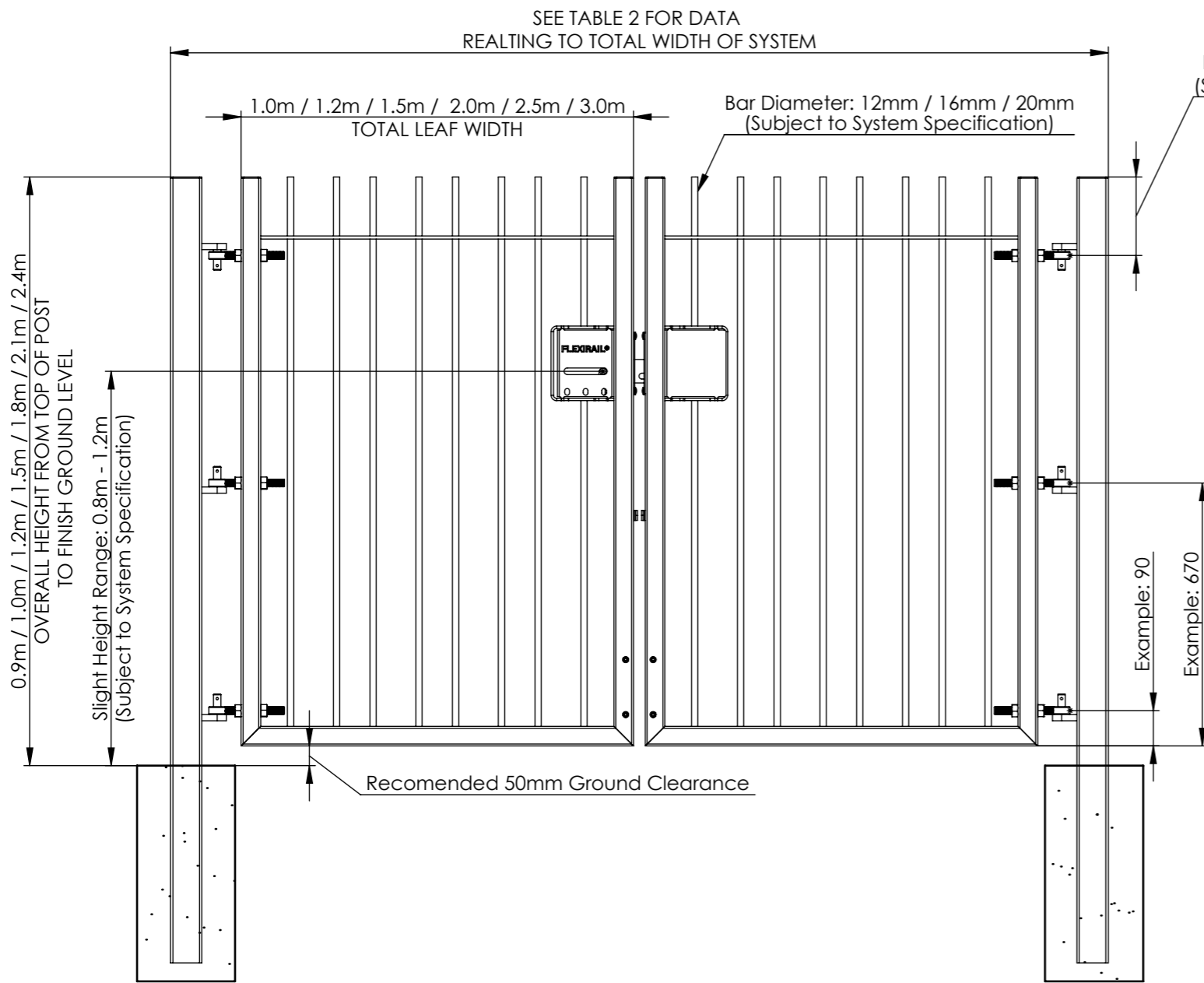
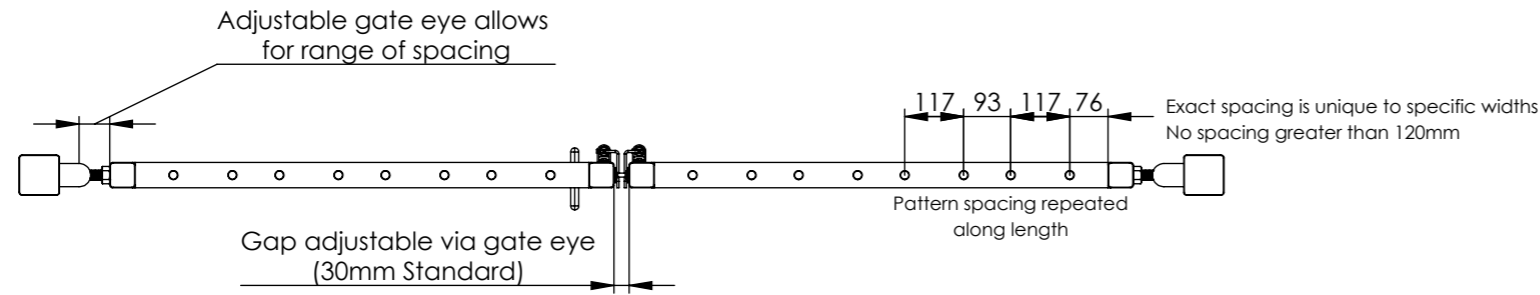


All gates to be supplied with Qty3 x 18mm Eye Bolts



| | | | |
|------------------------|--------------------|--|------------------------------|
| NAME | DATE | | SKU: <h1>FLEXIRAIL</h1> |
| DRAWN | C.S. 15/05/2026 | | |
| APVD | | | |
| Tolerance | 0 - 50mm ± 0.2mm | TITLE: FlexiRail Single Gate - Bolt Down Technical Drawing Example: 1.5m x 1.2m Wide Vertical Bar Single Gate | REV A A3 |
| | > 50 - 500mm ± 1mm | | |
| | > 1000mm ± 3mm | | |
| Third Angle Projection | | SCALE: 1:15 | SHEET 2 OF 4 |

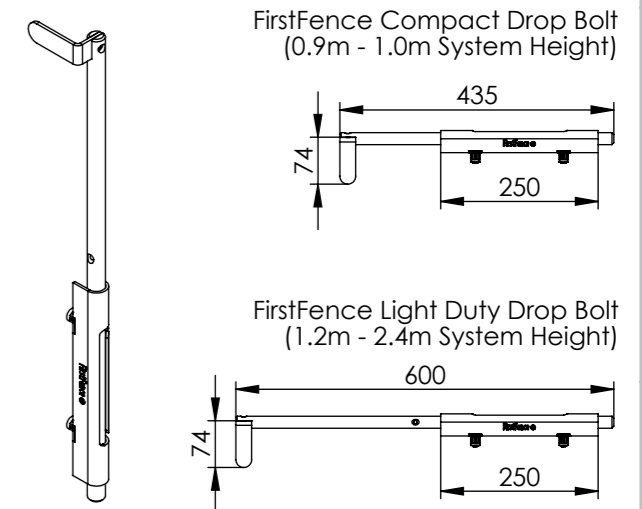
DO NOT SCALE DRAWING



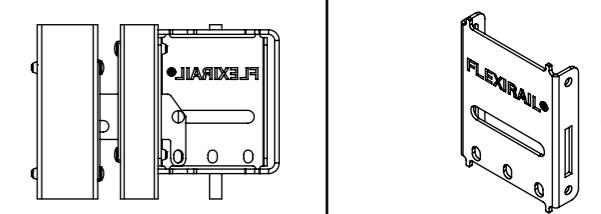
Notes:

1. All material to be mild steel and conform to relevant British Standards
2. All items to be Galvanised or Zinc Plated
3. Items can be powder coated on request

All gates to be supplied with a FirstFence Drop bolt
(Subject to System Specification)



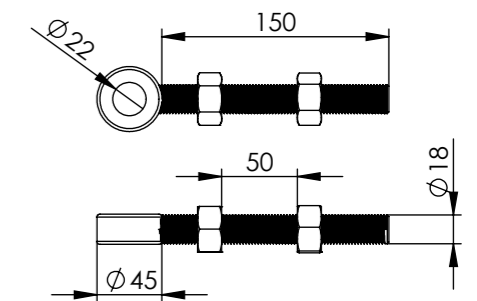
All gates to be supplied with Unislide Single Kit
(Other lock systems available on request)



Part A
UNI-KIT-0250
Unilside Single Slider
Padlockable Gate Kit

Part B
FLEX-ACCS-0100
Flexirail Slide Bolt
Locking Plate

All gates to be supplied with Qty3 x 18mm Eye Bolts

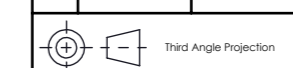


| | |
|------------|------------|
| NAME | DATE |
| DRAWN C.S. | 15/05/2026 |
| APVD | |



| | | |
|-----------|--------------|---------|
| Tolerance | 0 - 50mm | ± 0.2mm |
| | > 50 - 500mm | ± 1mm |
| | > 1000mm | ± 3mm |

SKU:
FLEXIRAIL



TITLE: FlexiRail Single Gate - Dig In
Technical Drawing
Example: 1.5m x 1.2m Wide
Vertical Bar Single Gate

REV
A
A3

SCALE: 1:12 SHEET 3 OF 4

DO NOT SCALE DRAWING

Table 1 - System Post Sizes

| | | System Width | | | | | |
|---------------|--------------------|--------------|-------------|-------------|-------------|-------------|-------------|
| | | 1.0m | 1.2m | 1.5m | 2.0m | 2.5m | 3.0m |
| System Height | 0.9m - 1.0m - 1.2m | 60x60 Box | 60x60 Box | 80x80 Box | 80x80 Box | 100x100 Box | 100x100 Box |
| | 1.5m | 80x80 Box | 80x80 Box | 80x80 Box | 80x80 Box | 100x100 Box | 100x100 Box |
| | 1.8m | 80x80 Box | 80x80 Box | 100x100 Box | 100x100 Box | 100x100 Box | 100x100 Box |
| | 2.0m - 2.1m - 2.4m | 100x100 Box | 100x100 Box | 100x100 Box | 100x100 Box | 100x100 Box | 100x100 Box |

Table 2 - System Total Width - Bolt Down (Min Width - Max Width)

| | | System Width | | | | | |
|---------------|--------------------|-----------------|-----------------|-----------------|-----------------|-----------------|-----------------|
| | | 1.0m | 1.2m | 1.5m | 2.0m | 2.5m | 3.0m |
| System Height | 0.9m - 1.0m - 1.2m | 1290mm - 1340mm | 1490mm - 1540mm | 1850mm - 1900mm | 2350mm - 2400mm | 2910mm - 2960mm | 3410mm - 3460mm |
| | 1.5m | 1350mm - 1400mm | 1550mm - 1600mm | 1850mm - 1900mm | 2350mm - 2400mm | 2910mm - 2960mm | 3410mm - 3460mm |
| | 1.8m | 1350mm - 1400mm | 1550mm - 1600mm | 1910mm - 1960mm | 2410mm - 2460mm | 2910mm - 2960mm | 3410mm - 3460mm |
| | 2.0m - 2.1m - 2.4m | 1410mm - 1460mm | 1610mm - 1660mm | 1910mm - 1960mm | 2410mm - 2460mm | 2910mm - 2960mm | 3410mm - 3460mm |

Table 3 - System Total Width - Dig In (Min Width - Max Width)

| | | System Width | | | | | |
|---------------|--------------------|-----------------|-----------------|-----------------|-----------------|-----------------|-----------------|
| | | 1.0m | 1.2m | 1.5m | 2.0m | 2.5m | 3.0m |
| System Height | 0.9m - 1.0m - 1.2m | 1230mm - 1280mm | 1430mm - 1480mm | 1770mm - 1820mm | 2270mm - 2320mm | 2810mm - 2860mm | 3310mm - 3360mm |
| | 1.5m | 1270mm - 1320mm | 1470mm - 1520mm | 1770mm - 1820mm | 2270mm - 2320mm | 2810mm - 2860mm | 3310mm - 3360mm |
| | 1.8m | 1270mm - 1320mm | 1470mm - 1520mm | 1810mm - 1860mm | 2310mm - 2360mm | 2810mm - 2860mm | 3310mm - 3360mm |
| | 2.0m - 2.1m - 2.4m | 1310mm - 1360mm | 1510mm - 1560mm | 1810mm - 1860mm | 2310mm - 2360mm | 2810mm - 2860mm | 3310mm - 3360mm |


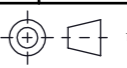
Table 4 - System Post Length - Dig In

| System Height | Post Length | Recomended Dig In Depth |
|---------------|-------------|-------------------------|
| 0.9m | 1700mm | 800mm |
| 1.0m | 1700mm | 700mm |
| 1.2m | 1700mm | 500mm |
| 1.5m | 2000mm | 500mm |
| 1.8m | 2400mm | 600mm |
| 2.0m | 3100mm | 1100mm |
| 2.1m | 3100mm | 1000mm |
| 2.4m | 3100mm | 700mm |

Table 5 - Base Plate Sizes

| | |
|-------------|--------------|
| 60x60 Box | 120x120 Base |
| 80x80 Box | 160x160 Base |
| 100x100 Box | 200x200 Base |



| | | | |
|--|--------------|---|------------------|
| NAME | DATE |  | |
| DRAWN | 15/05/2026 | | |
| APVD | | SKU: | |
| Tolerance | 0 - 50mm | ± 0.2mm | FLEXIRAIL |
| | > 50 - 500mm | ± 1mm | |
| | >1000mm | ± 3mm | |
|  Third Angle Projection | | TITLE: | REV |
| | | FlexiRail System Fabrication Specification | A |
| | | | A3 |
| | | | SHEET 4 OF 4 |