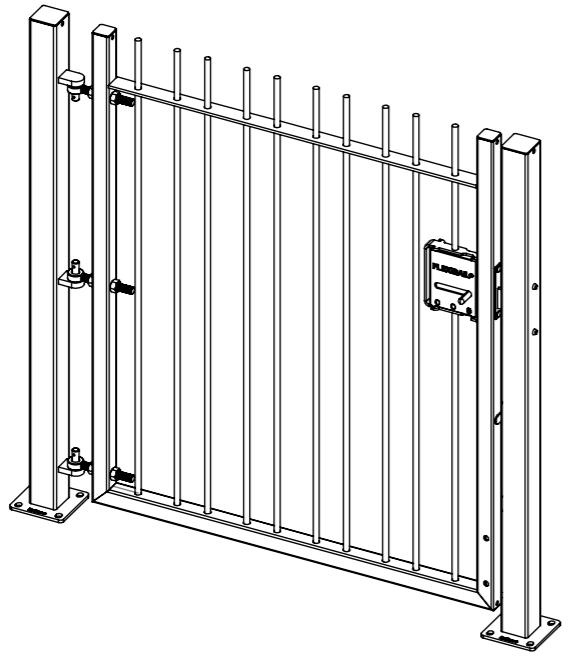
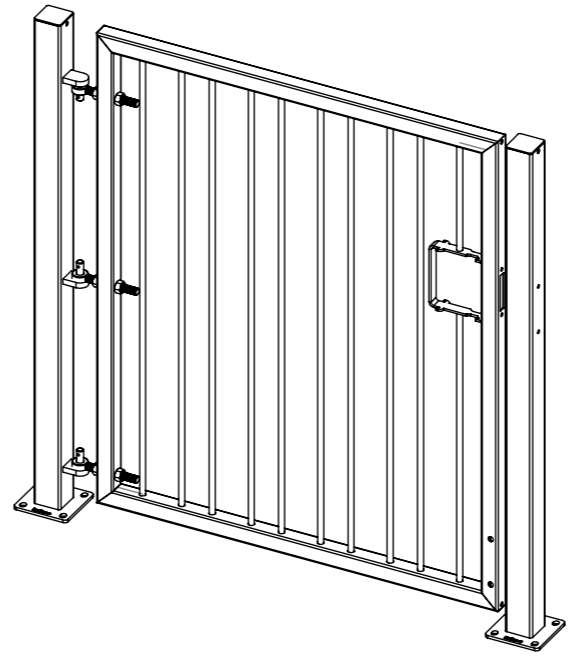


DO NOT SCALE DRAWING

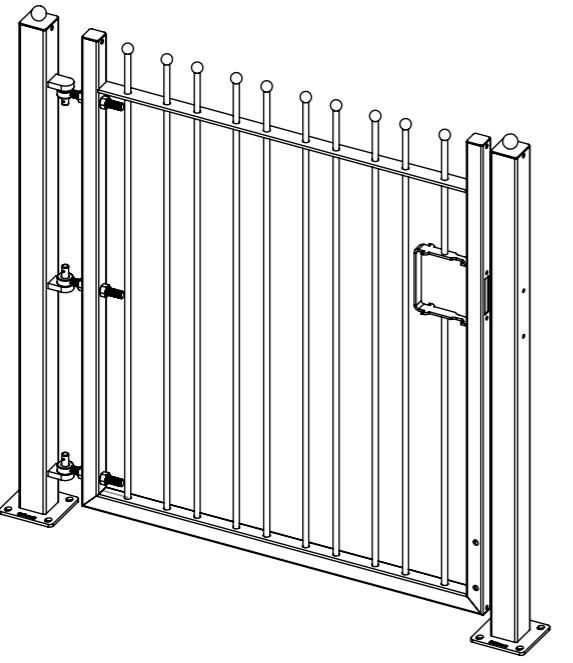
FlexiRail System - Infill Types



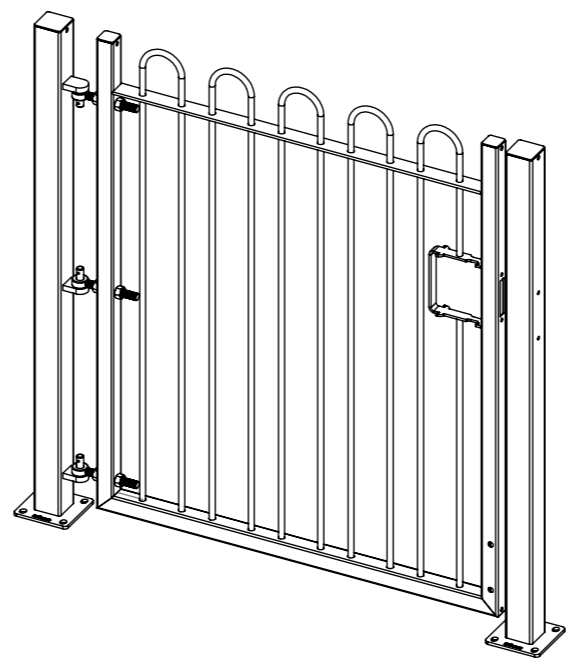
Vertical Bar



Flat Top



Ball Top




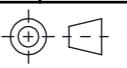
Bow Top

FlexiRail Railing Gates

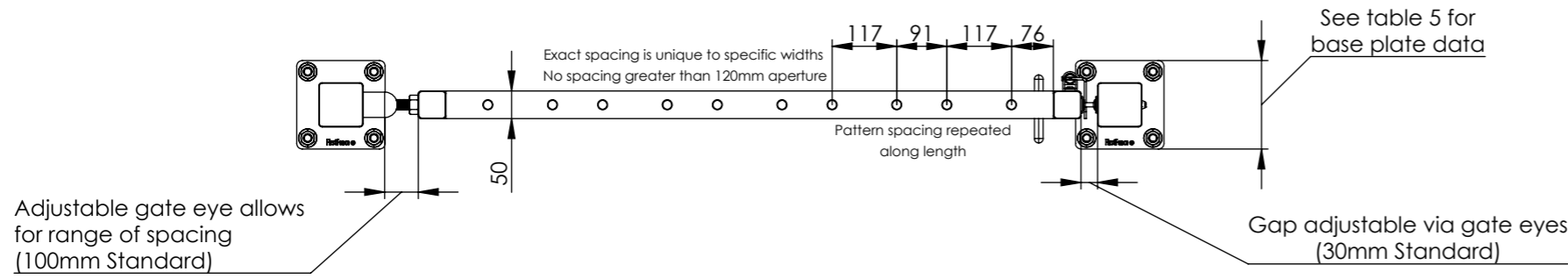
The FlexiRail gate system is designed as a modular and adaptable solution for a wide range of boundary and access control applications.

It supports multiple infill configurations while maintaining a consistent structural framework. Each infill type provides its own functional and aesthetic qualities, allowing selection to suit specific visual requirements and environmental contexts.

Manufactured for durability, dimensional accuracy, and ease of integration, the FlexiRail range enables efficient installation and reliable long-term performance in both commercial and residential settings.

NAME		DATE		 HIRE & SALES
DRAWN		15/05/2026		
APVD				
Tolerance	0 - 50mm	± 0.2mm		SYSTEM:
	> 50 - 500mm	± 1mm		
	> 1000mm	± 3mm		
 Third Angle Projection				TITLE:
				FlexiRail System Infill Types
				REV
				A
				A3
SCALE: 1:20				SHEET 1 OF 4

DO NOT SCALE DRAWING



SEE TABLE 2 FOR DATA RELATING TO TOTAL WIDTH OF SYSTEM INCLUDING BASE PLATES

1.0m / 1.2m / 1.5m / 2.0m / 2.5m / 3.0m
TOTAL LEAF WIDTH

Bar Diameter: 12mm / 16mm / 20mm
(Subject to System Specification)

Example hinge location: 200mm
(Subject to System Specification)

0.9m / 1.0m / 1.2m / 1.5m / 1.8m / 2.0m / 2.1m / 2.4m
OVERALL HEIGHT FROM TOP OF POST TO FINISH GROUND LEVEL

Example: 670

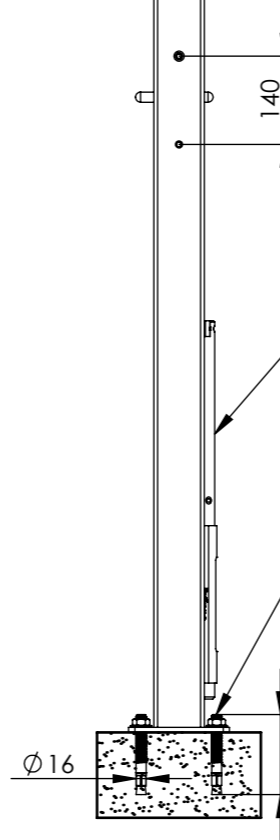
Example: 90

Recommended 50mm Ground Clearance

Slider Height Range: 0.8m - 1.2m
(Subject to System Specification)

Example: 80

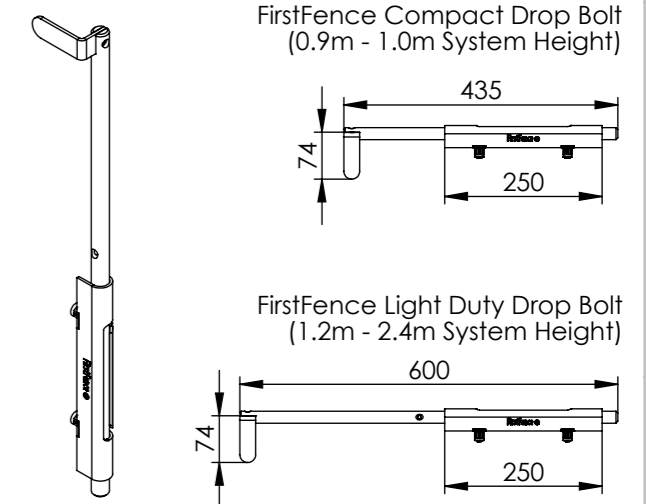
See Table 1 for post size data



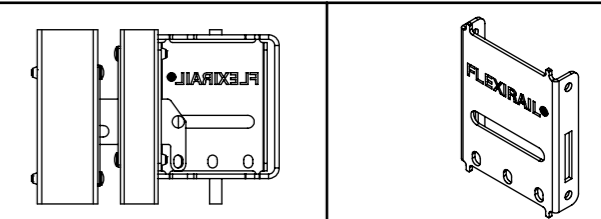
Notes:

1. All material to be mild steel and conform to relevant British Standards
2. All items to be Galvanised or Zinc Plated
3. Items can be powder coated on request

All gates to be supplied with a FirstFence Drop bolt
(Subject to System Specification)



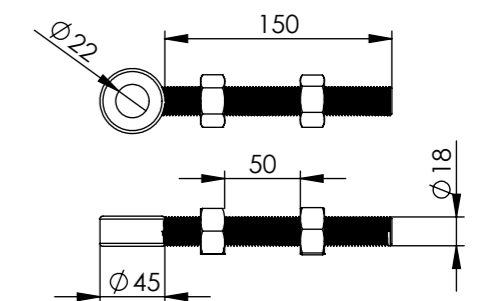
All gates to be supplied with Unislide Single Kit
(Other lock systems available on request)



Part A
UNI-KIT-0250
Unislide Single Slider
Padlockable Gate Kit

Part B
FLEX-ACCS-0100
Flexirail Slide Bolt
Locking Plate

All gates to be supplied with Qty3 x 18mm Eye Bolts



NAME	DATE
DRAWN	C.S. 15/05/2026
APVD	
Tolerance	0 - 50mm ± 0.2mm
	> 50 - 500mm ± 1mm
	> 1000mm ± 3mm



FLEXIRAIL

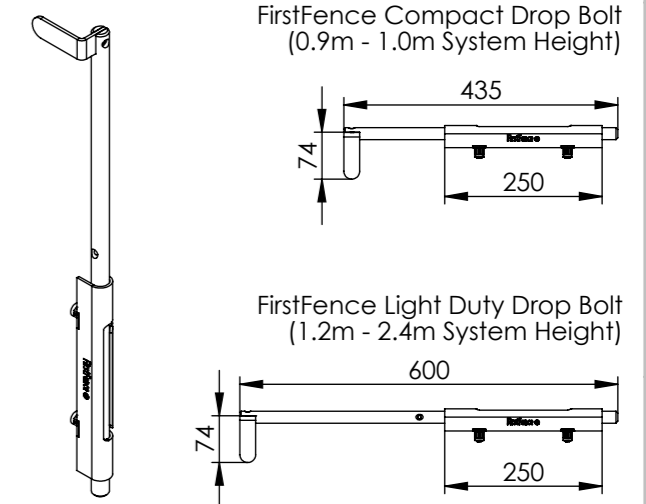
TITLE:	FlexiRail Single Gate - Bolt Down Technical Drawing Example: 1.5m x 1.2m Wide Vertical Bar Single Gate	REV	A
SCALE:	1:12	SHEET	2 OF 4
			A3

DO NOT SCALE DRAWING

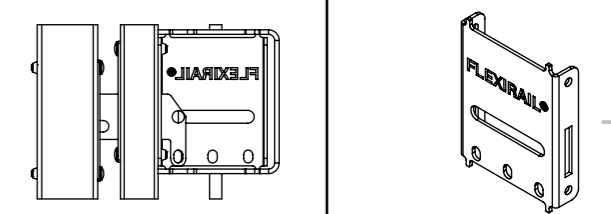
Notes:

1. All material to be mild steel and conform to relevant British Standards
2. All items to be Galvanised or Zinc Plated
3. Items can be powder coated on request

All gates to be supplied with a FirstFence Drop bolt (Subject to System Specification)



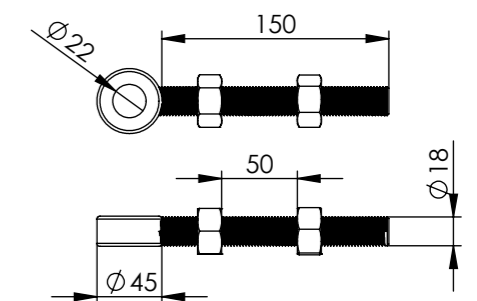
All gates to be supplied with Unislide Single Kit (Other lock systems available on request)



Part A
UNI-KIT-0250
Unilide Single Slider
Padlockable Gate Kit

Part B
FLEX-ACCS-0100
Flexirail Slide Bolt
Locking Plate

All gates to be supplied with Qty3 x 18mm Eye Bolts

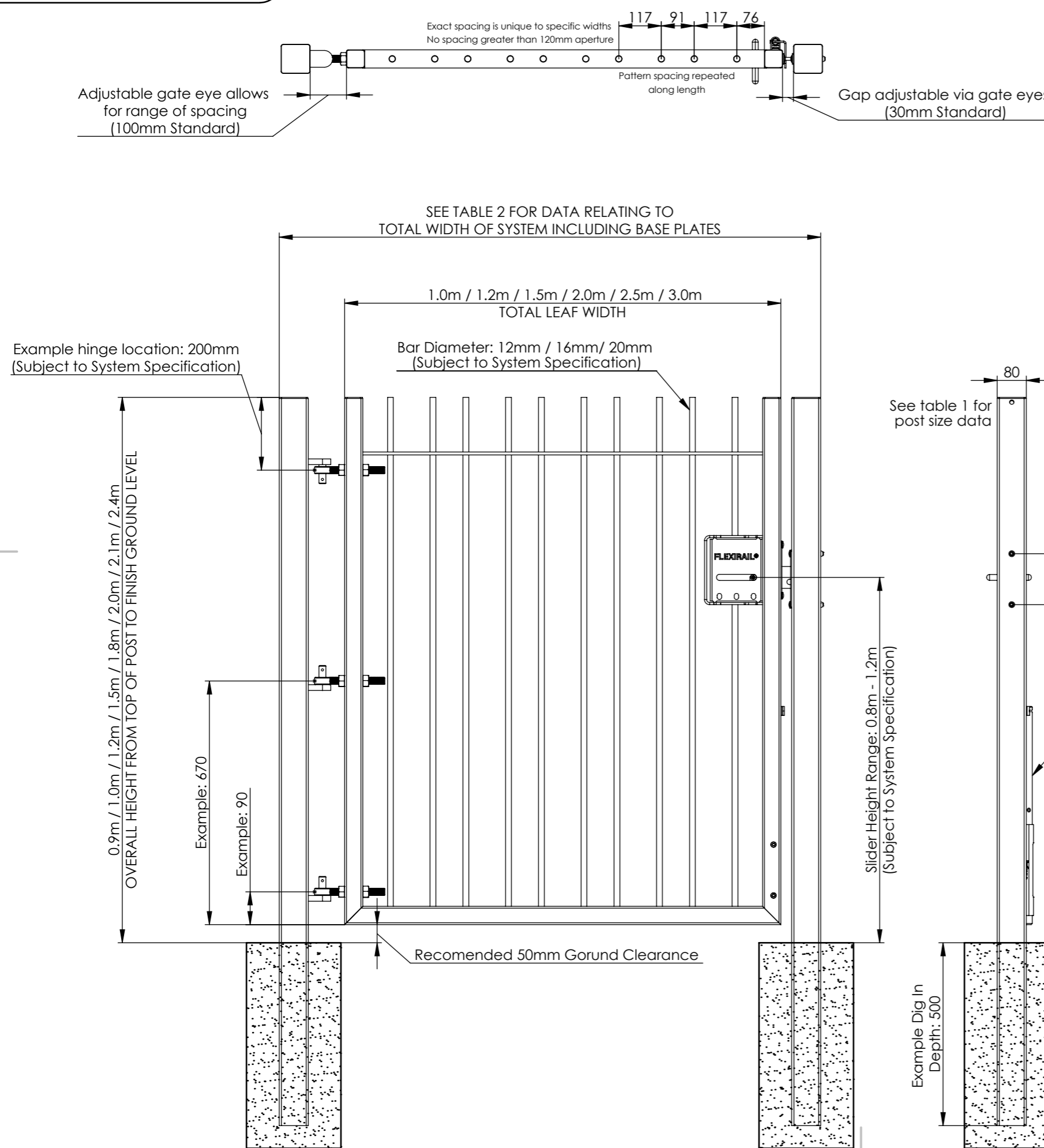


NAME	DATE
DRAWN C.S.	15/05/2026
APVD	
Tolerance	0 - 50mm ± 0.2mm
	> 50 - 500mm ± 1mm
	> 1000mm ± 3mm



FLEXIRAIL

TITLE:	FlexiRail Single Gate - Dig In Technical Drawing	REV	A
	Example: 1.5m x 1.2m Wide Vertical Bar Single Gate		A3
SCALE:	1:12	SHEET	3 OF 4



DO NOT SCALE DRAWING

Table 1 - System Post Sizes

		System Width					
		1.0m	1.2m	1.5m	2.0m	2.5m	3.0m
System Height	0.9m - 1.0m - 1.2m	60x60 Box	60x60 Box	80x80 Box	80x80 Box	100x100 Box	100x100 Box
	1.5m	80x80 Box	80x80 Box	80x80 Box	80x80 Box	100x100 Box	100x100 Box
	1.8m	80x80 Box	80x80 Box	100x100 Box	100x100 Box	100x100 Box	100x100 Box
	2.0m - 2.1m - 2.4m	100x100 Box	100x100 Box	100x100 Box	100x100 Box	100x100 Box	100x100 Box

Table 2 - System Total Width - Bolt Down (Min Width - Max Width)

		System Width					
		1.0m	1.2m	1.5m	2.0m	2.5m	3.0m
System Height	0.9m - 1.0m - 1.2m	1290mm - 1340mm	1490mm - 1540mm	1850mm - 1900mm	2350mm - 2400mm	2910mm - 2960mm	3410mm - 3460mm
	1.5m	1350mm - 1400mm	1550mm - 1600mm	1850mm - 1900mm	2350mm - 2400mm	2910mm - 2960mm	3410mm - 3460mm
	1.8m	1350mm - 1400mm	1550mm - 1600mm	1910mm - 1960mm	2410mm - 2460mm	2910mm - 2960mm	3410mm - 3460mm
	2.0m - 2.1m - 2.4m	1410mm - 1460mm	1610mm - 1660mm	1910mm - 1960mm	2410mm - 2460mm	2910mm - 2960mm	3410mm - 3460mm

Table 3 - System Total Width - Dig In (Min Width - Max Width)

		System Width					
		1.0m	1.2m	1.5m	2.0m	2.5m	3.0m
System Height	0.9m - 1.0m - 1.2m	1230mm - 1280mm	1430mm - 1480mm	1770mm - 1820mm	2270mm - 2320mm	2810mm - 2860mm	3310mm - 3360mm
	1.5m	1270mm - 1320mm	1470mm - 1520mm	1770mm - 1820mm	2270mm - 2320mm	2810mm - 2860mm	3310mm - 3360mm
	1.8m	1270mm - 1320mm	1470mm - 1520mm	1810mm - 1860mm	2310mm - 2360mm	2810mm - 2860mm	3310mm - 3360mm
	2.0m - 2.1m - 2.4m	1310mm - 1360mm	1510mm - 1560mm	1810mm - 1860mm	2310mm - 2360mm	2810mm - 2860mm	3310mm - 3360mm


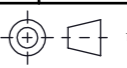
Table 4 - System Post Length - Dig In

System Height	Post Length	Recomended Dig In Depth
0.9m	1700mm	800mm
1.0m	1700mm	700mm
1.2m	1700mm	500mm
1.5m	2000mm	500mm
1.8m	2400mm	600mm
2.0m	3100mm	1100mm
2.1m	3100mm	1000mm
2.4m	3100mm	700mm

Table 5 - Base Plate Sizes

60x60 Box	120x120 Base
80x80 Box	160x160 Base
100x100 Box	200x200 Base



NAME	DATE	
DRAWN	15/05/2026	
APVD		SKU:
Tolerance	0 - 50mm ± 0.2mm	<h1>FLEXIRAIL</h1>
	> 50 - 500mm ± 1mm	
	> 1000mm ± 3mm	
 Third Angle Projection		TITLE:
		FlexiRail System Fabrication Specification
		REV
		A
		A3
SHEET 4 OF 4		