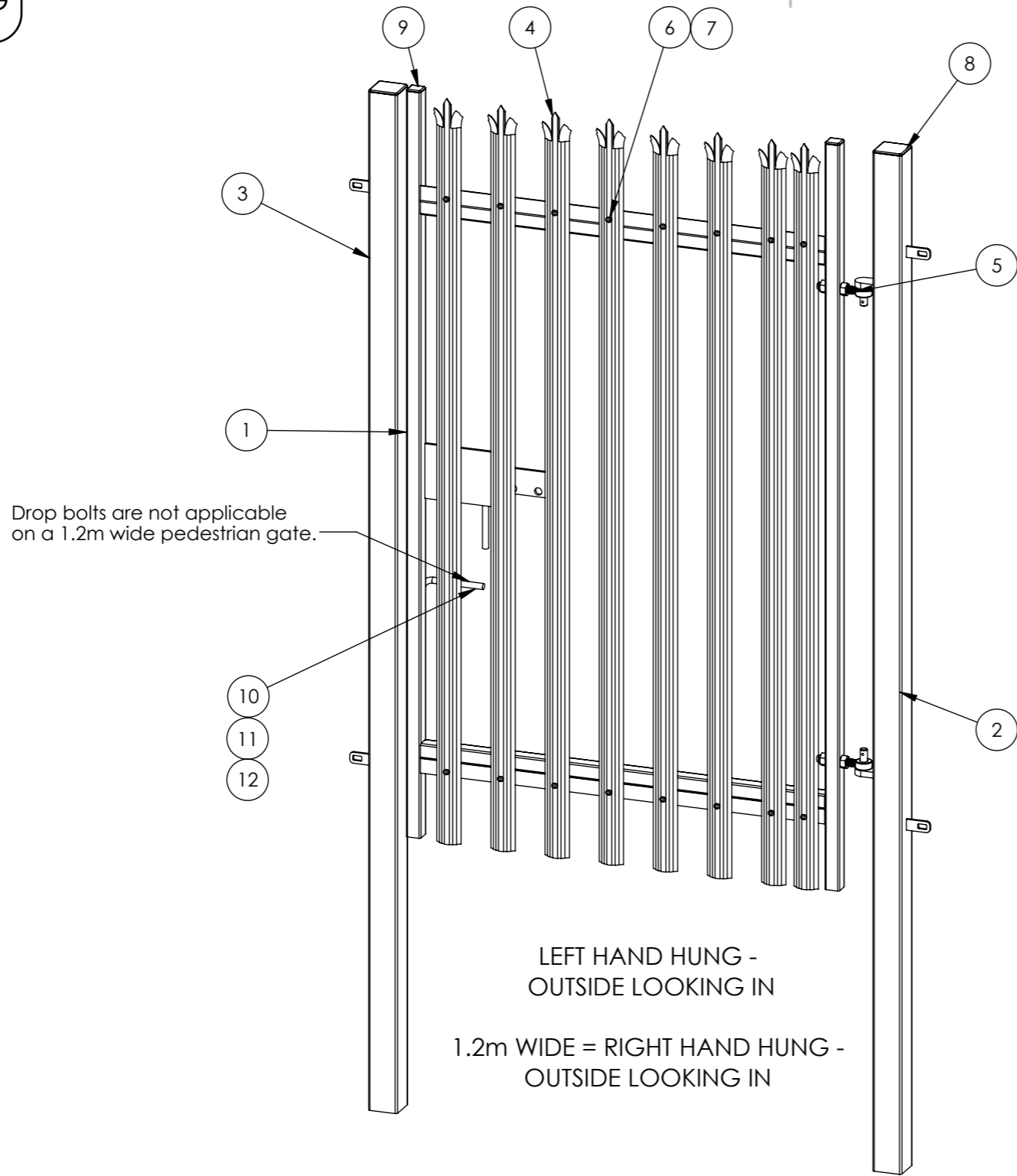
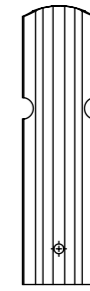


DO NOT SCALE DRAWING

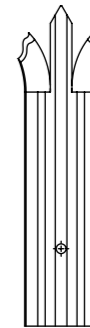


Notes:

- The Gates come Galvanised; However, they can be PPC in a variety of standard and non-standard colours to match fencing.



ROUND & NOTCHED



TRIPLE POINT



SINGLE POINT

Item	Component Name	Qty
1	PaliGuard® PALISADE GATE SLIDER 1.5m - 3.6m X 1.0 - 5.0m WIDE	1
2	PaliGuard® 1.5m - 3.6m HIGH DIG IN PALISADE HINGE GATE POST 80X80 - 200x200 BOX SECTION	1
3	PaliGuard® 1.5m - 3.6m HIGH DIG IN PALISADE CATCH GATE POST 80X80 - 100x100 BOX SECTION	1
4	PaliGuard® PaliGuard® 1.5M - 3.6M TRIPLE POINTED/ SINGLE POINT/ ROUND & NOTCHED D SECTION PALISADE GALVANISED PALE 2.5 - 3MM ACTUAL HEIGHT 1450MM - 3550MM	6 - 33
5	PaliGuard® ADJUSTABLE GATE EYE 150 - 200mm cw 12 - 25mm	2
6	PaliGuard® M8 x 40mm SADDLE BOLT - D SECTION	13 - 67
7	PaliGuard® M8 SNAP OFF NUT FOR SECURITY BOLTS	13 - 67
8	PaliGuard® 80x80 - 80x80 - 200 x 200 BLACK RIBBED INSERTS	2
9	PaliGuard® 40x40 - 60x60 BLACK RIBBED INSERTS	2
10	PaliGuard® GALVANISED UNIVERSAL GATE DROP	1
11	PaliGuard® M5x20 ONEWAY PAN HEAD MC SCW A2	1
12	PaliGuard® M5 SHEAR NUT A2	1

REV	DESCRIPTION	DATE

NAME	DATE	<p>FirstFence® HIRE & SALES</p>
DRAWN	W,P 25/02/2026	
APVD		

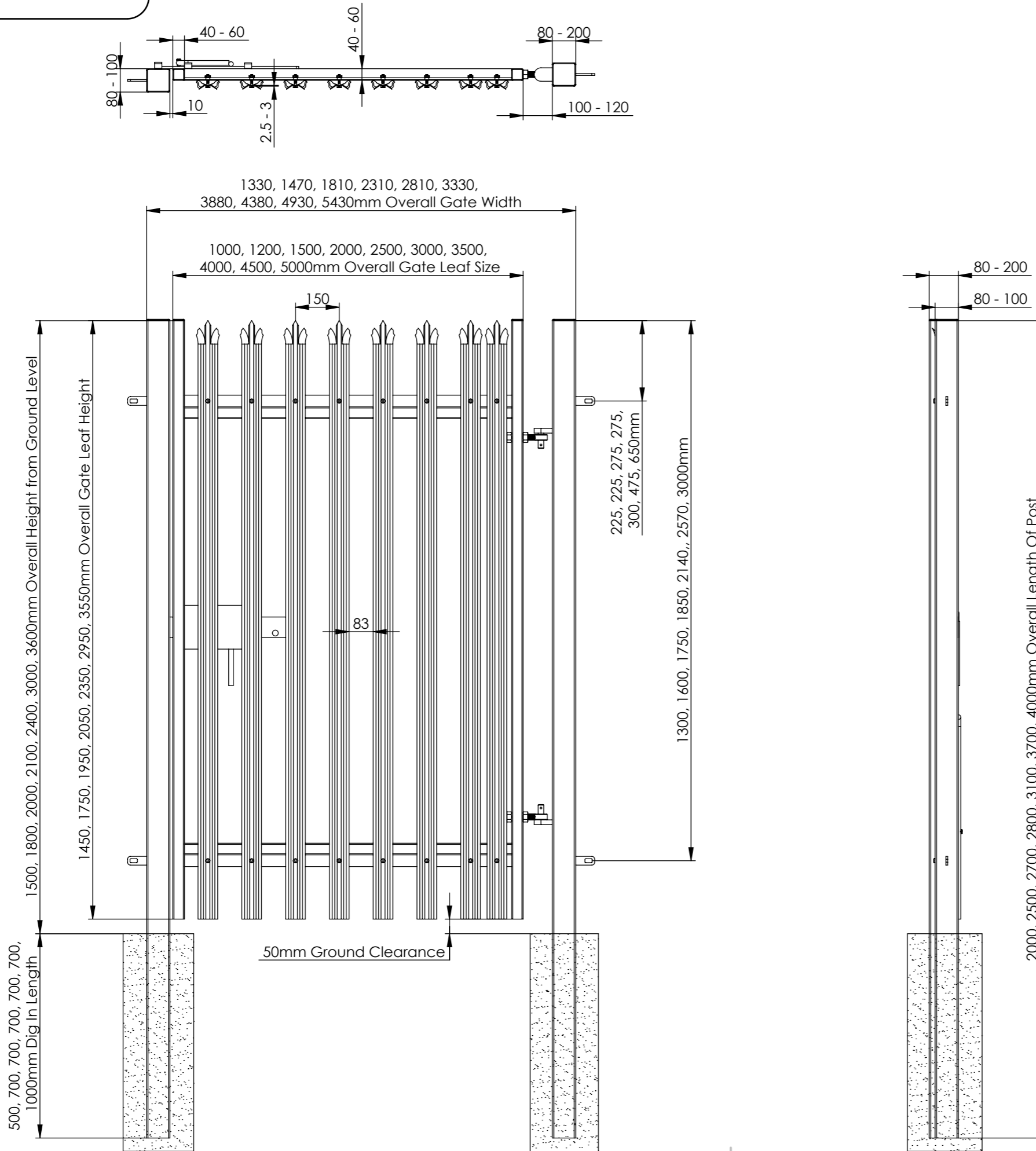
Tolerance	0 - 50mm	± 0.2mm	SKU: PaliGuard®
	> 50 - 500mm	± 1mm	
	> 1000mm	± 3mm	

Third Angle Projection	TITLE:	REV
Material: N/A	PaliGuard® - 1.5m - 3.6m High x 1.0m - 5.0m Wide D SECTION PALISADE 2.5MM TO 3.0MM PALE SINGLE GATE DIG IN KIT	A
WEIGHT: N/A	SCALE: 1:15	A3
SHEET 1 OF 4		

DO NOT SCALE DRAWING

Notes:

- The Gates come Galvanised; However, they can be PPC in a variety of standard and non-standard colours to match fencing.



Overall Gate Width	
Gate Leaf Width	Overall Gate Width
1.0m	1330mm
1.2m	1470mm
1.5m	1810mm
2.0m	2310mm
2.5m	2810mm
3.0m	3330mm
3.5m	3880mm
4.0m	4380mm
4.5m	4930mm
5.0m	5430mm

Dig In Post Depth	
System Height	Dig In Depth
1.5m	500mm
1.8m	700mm
2.0m	700mm
2.1m	700mm
2.4m	700mm
3.0m	700mm
3.6m	1000mm

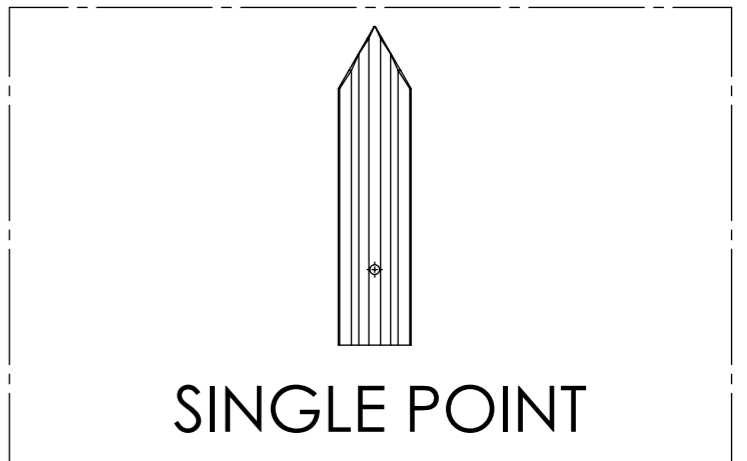
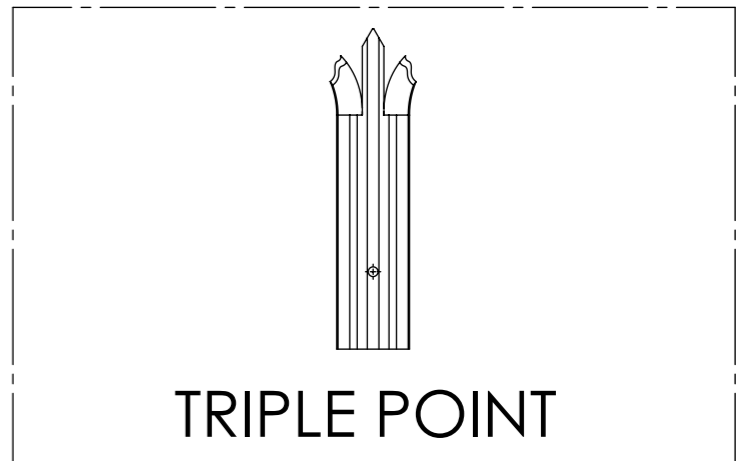
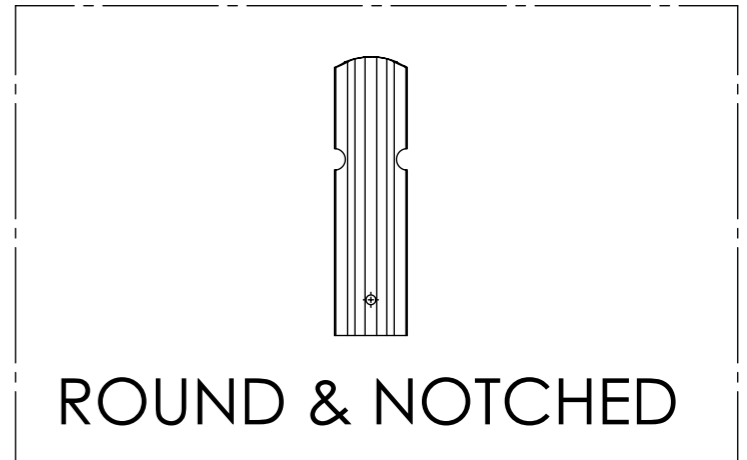
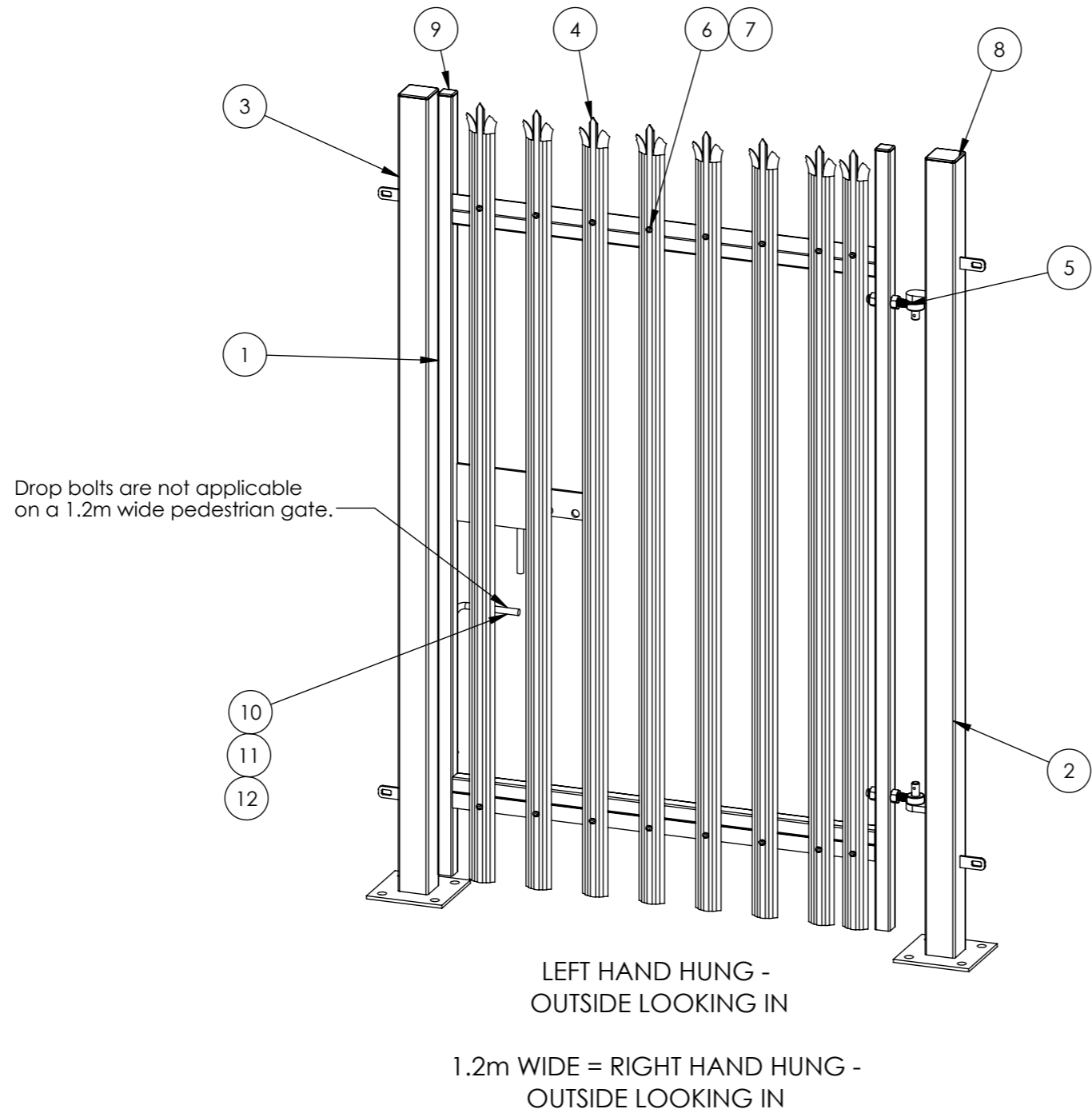
REV	DESCRIPTION	DATE

NAME	DATE	
DRAWN	W.P 25/02/2026	
APVD		PaliGuard®
Tolerance	0 - 50mm ± 0.2mm > 50 - 500mm ± 1mm > 1000mm ± 3mm	
Material:	N/A	
WEIGHT:	N/A	TITLE: PaliGuard® - 1.5m - 3.6m High x 1.0m - 5.0m Wide D SECTION PALISADE 2.5MM TO 3.0MM PALE SINGLE GATE DIG IN KIT SCALE: 1:15
		REV A SHEET 2 OF 4

DO NOT SCALE DRAWING

Notes:

- The Gates come Galvanised; However, they can be PPC in a variety of standard and non-standard colours to match fencing.



Item	Component Name	Qty
1	PaliGuard® PALISADE GATE SLIDER 1.5m - 3.6m X 1.0 - 5.0m WIDE	1
2	PaliGuard® 1.5m - 3.6m HIGH BOLT DOWN PALISADE HINGE GATE POST 80X80 - 200x200 BOX SECTION	1
3	PaliGuard® 1.5m - 3.6m HIGH BOLT DOWN PALISADE CATCH GATE POST 80X80 - 100x100 BOX SECTION	1
4	PaliGuard® PaliGuard® 1.5M - 3.6m TRIPLE POINTED/ SINGLE POINT/ ROUND & NOTCHED D SECTION PALISADE GALVANISED PALE 2.5 - 3MM ACTUAL HEIGHT 1450MM - 3550MM	6 -33
5	PaliGuard® ADJUSTABLE GATE EYE 150 - 200mm cw 12 - 25mm	2
6	PaliGuard® M8 SNAP OFF NUT FOR SECURITY BOLTS	13 - 67
7	PaliGuard® M8 x 40mm SADDLE BOLT - D SECTION	13 - 67
8	PaliGuard® 80x80 - 80x80 - 200 x 200 BLACK RIBBED INSERTS	2
9	PaliGuard® 40x40 - 60x60 BLACK RIBBED INSERTS	2
10	PaliGuard® GALVANISED UNIVERSAL GATE DROP	1
11	PaliGuard® M5x20 ONEWAY PAN HEAD MC SCW A2	1
12	PaliGuard® M5 SHEAR NUT A2	1

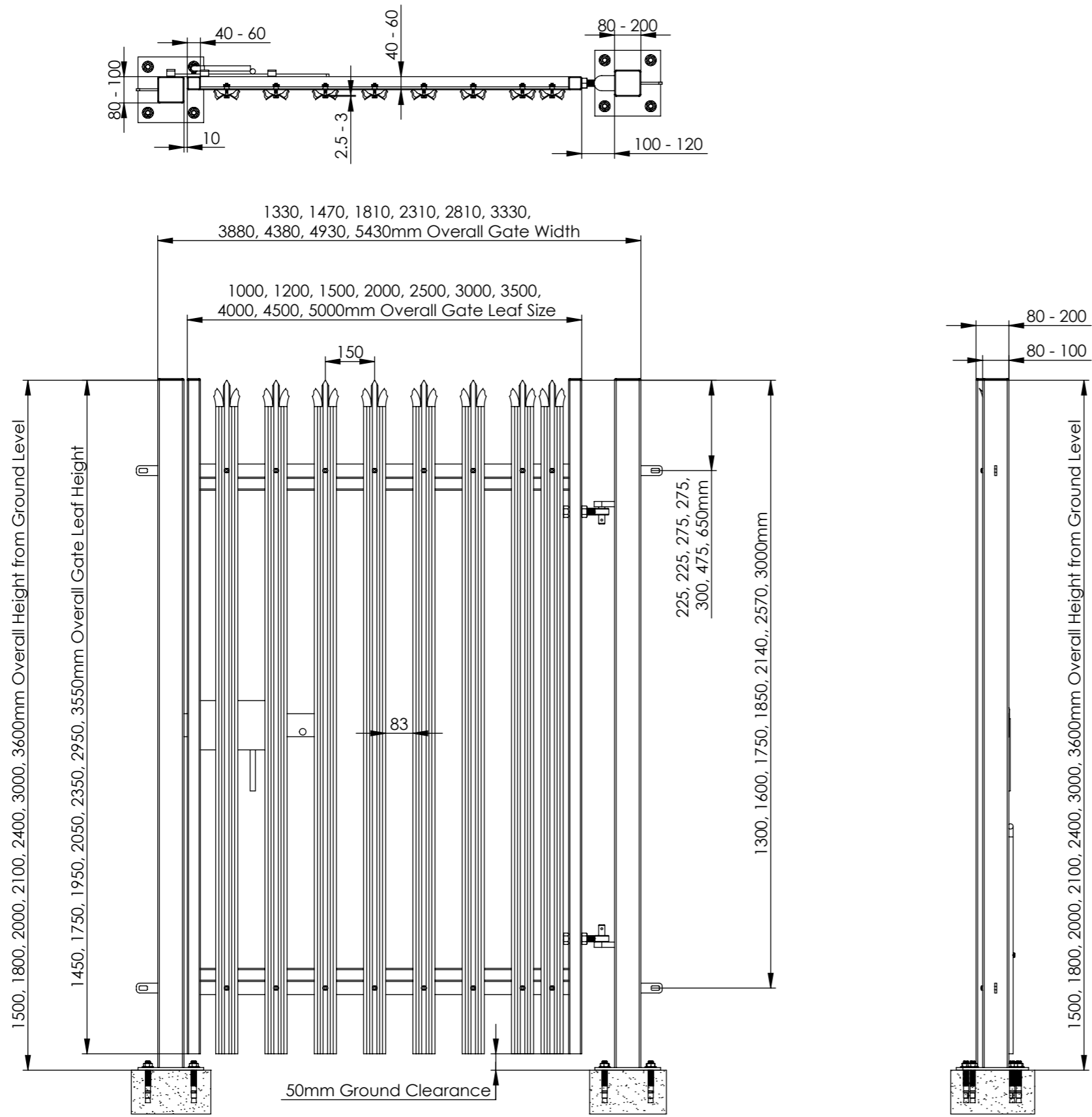
REV	DESCRIPTION	DATE

NAME	DATE	<p>FirstFence® HIRE & SALES</p>	
DRAWN	W.P 25/02/2026		
APVD		<p>SKU:</p> <h1>PaliGuard®</h1>	
Tolerance	0 - 50mm		± 0.2mm
	> 50 - 500mm		± 1mm
	> 1000mm	± 3mm	
Third Angle Projection		TITLE:	
Material:	N/A	PaliGuard® - 1.5m - 3.6m High x 1.0m - 5.0m Wide D SECTION PALISADE 2.5MM TO 3.0MM PALE SINGLE GATE BOLT DOWN KIT	
WEIGHT:	N/A	SCALE: 1:15	
		REV	
		A	
		A3	
		SHEET 3 OF 4	

DO NOT SCALE DRAWING

Notes:

- The Gates come Galvanised; However, they can be PPC in a variety of standard and non-standard colours to match fencing.



Overall Gate Width	
Gate Leaf Width	Overall Gate Width
1.0m	1330mm
1.2m	1470mm
1.5m	1810mm
2.0m	2310mm
2.5m	2810mm
3.0m	3330mm
3.5m	3880mm
4.0m	4380mm
4.5m	4930mm
5.0m	5430mm

REV	DESCRIPTION	DATE

NAME	DATE										
DRAWN W.P	25/02/2026										
APVD		SKU:									
<table border="1"> <tr> <td>Tolerance</td> <td>0 - 50mm</td> <td>± 0.2mm</td> </tr> <tr> <td></td> <td>> 50 - 500mm</td> <td>± 1mm</td> </tr> <tr> <td></td> <td>> 1000mm</td> <td>± 3mm</td> </tr> </table>		Tolerance	0 - 50mm	± 0.2mm		> 50 - 500mm	± 1mm		> 1000mm	± 3mm	<p>PaliGuard®</p>
Tolerance	0 - 50mm	± 0.2mm									
	> 50 - 500mm	± 1mm									
	> 1000mm	± 3mm									
Third Angle Projection		TITLE: PaliGuard® - 1.5m - 3.6m High x 1.0m - 5.0m Wide D SECTION PALISADE 2.5MM TO 3.0MM PALE SINGLE GATE BOLT DOWN KIT REV A A3									
Material: N/A	WEIGHT: N/A	SCALE: 1:15	SHEET 4 OF 4								