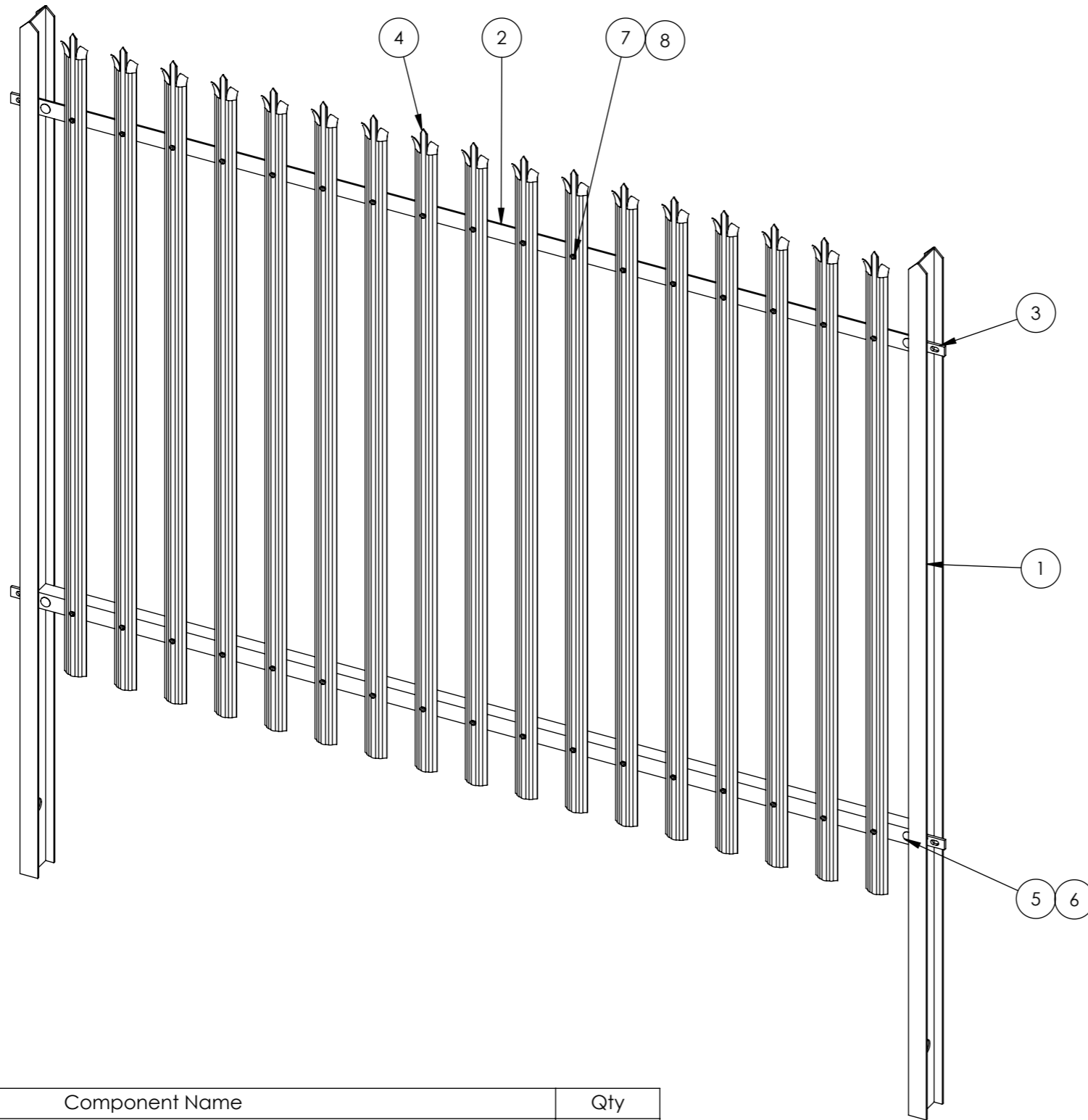
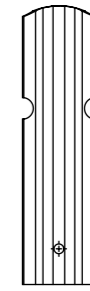


DO NOT SCALE DRAWING

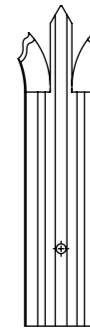


Notes:

- The Fencing comes Galvanised, However it can be PPC in a variety of standard and non-standard colours to match gates.



ROUND & NOTCHED



TRIPLE POINT



SINGLE POINT

Item	Component Name	Qty
1	PaliGuard® 1.5M - 3.6M HIGH DIG IN PALISADE POST 100x55 - 127x76mm RSJ POSTS	1
2	PaliGuard® PALISADE RAIL 50mmx50mm GALVANISED	2
3	PaliGuard® STRAIGHT HEAVY DUTY FISHPLATE FOR PALISADE FENCING	2
4	PaliGuard® TRIPLE POINTED/ SINGLE POINT/ ROUND & NOTCHED D SECTION PALISADE GALVANISED PALE 2.5MM - 3MM ACTUAL HEIGHT 1450 - 3550MM	17
5	PaliGuard® M12 X 30mm BOLT	4
6	PaliGuard® M12 SNAP OFF NUT FOR SECURITY BOLTS	4
7	PaliGuard® M8 x 40mm SADDLE BOLT - D SECTION	34
8	PaliGuard® M8 SNAP OFF NUT FOR SECURITY BOLTS	34

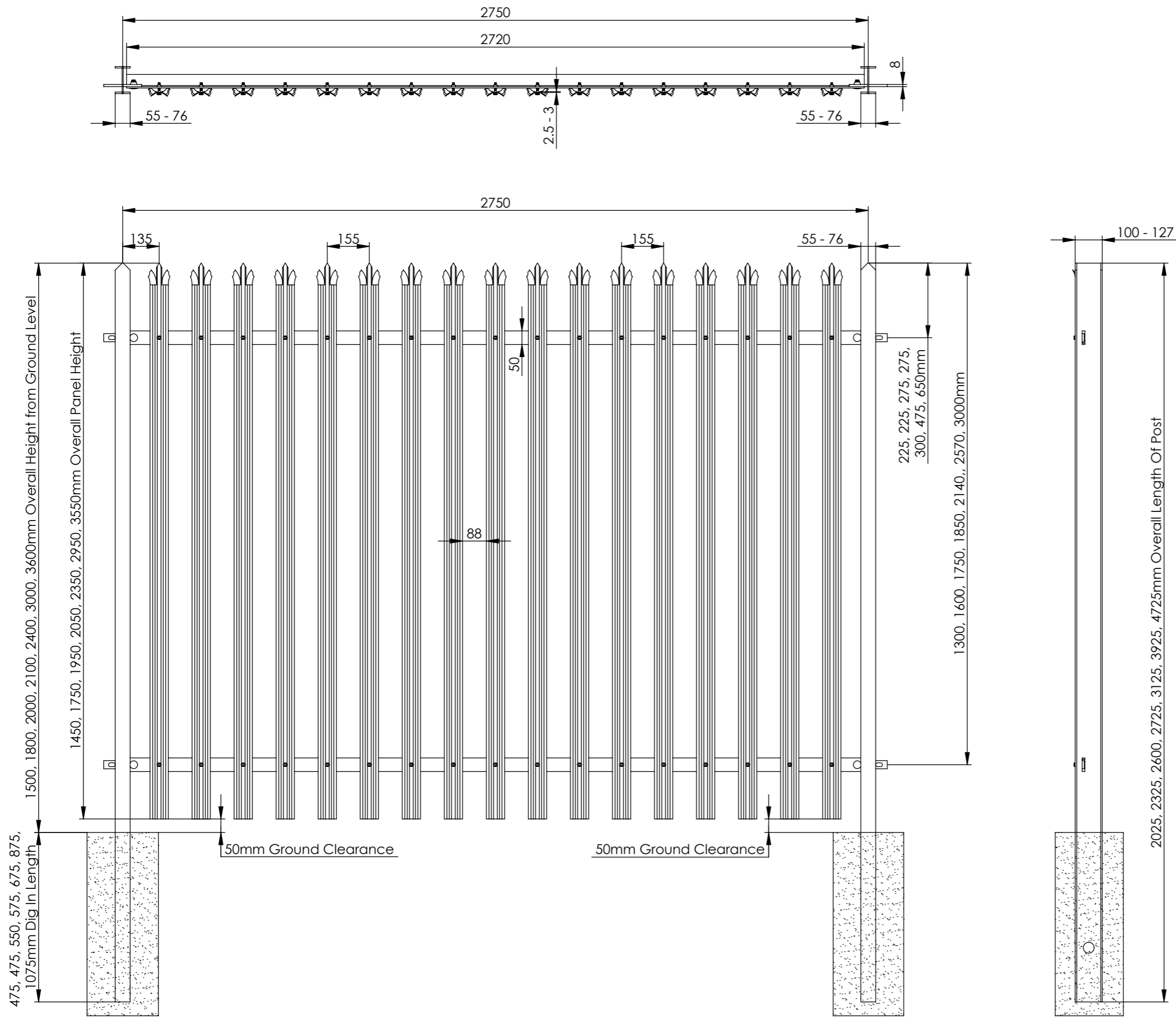
REV	DESCRIPTION	DATE

DRAWN		NAME	DATE	
APVD		W.P	25/02/2026	
Tolerance		0 - 50mm	± 0.2mm	
		> 50 - 500mm	± 1mm	SKU: PaliGuard®
		> 1000mm	± 3mm	
TITLE: PaliGuard® - 1.5m - 3.6m High x 2.75m Wide D SECTION PALISADE 2.5MM TO 3.0MM PALE DIG IN FENCING KIT				REV A
Material: N/A WEIGHT: N/A				SCALE: 1:15 SHEET 1 OF 4

DO NOT SCALE DRAWING

Notes:

- The Fencing comes Galvanised, However it can be PPC in a variety of standard and non-standard colours to match gates.



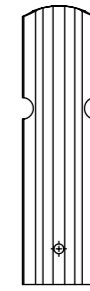
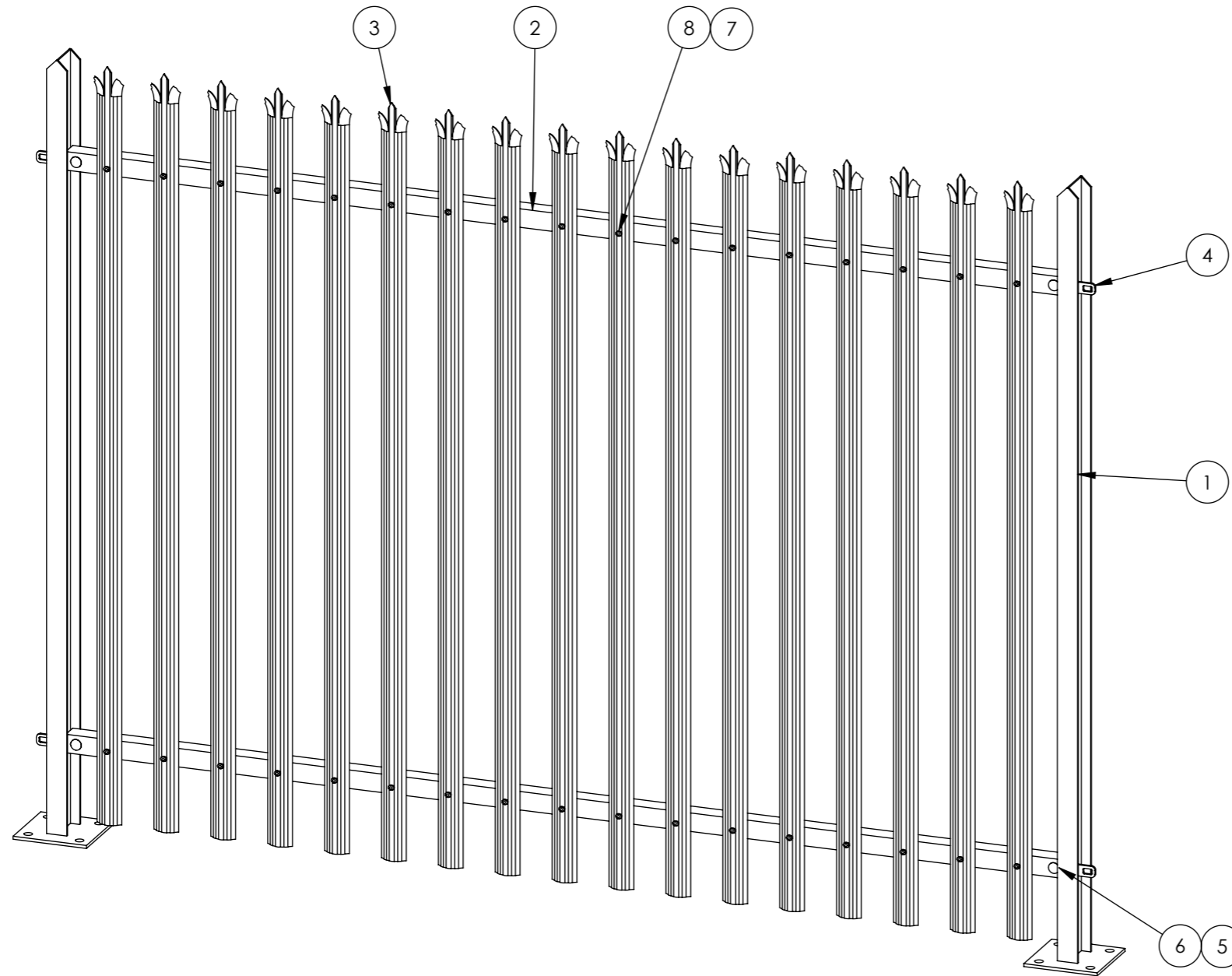
Dig In Post Depth & Post Size	
System Height	Dig In Depth
1.5m (100x55)	475mm
1.8m (100x55)	475mm
2.0m (100x55)	550mm
2.1m (100x55)	575mm
2.4m (100x55)	675mm
3.0m (127x76)	875mm
3.6m (127x76)	1075mm

REV	DESCRIPTION	DATE
NAME	DATE	
DRAWN	W.P 25/02/2026	
APVD		
Tolerance	0 - 50mm	± 0.2mm
	> 50 - 500mm	± 1mm
	> 1000mm	± 3mm
Third Angle Projection		SKU:
Material: N/A		PaliGuard® TITLE: PaliGuard® - 1.5m - 3.6m High x 2.75m Wide D SECTION PALISADE 2.5MM TO 3.0MM PALE DIG IN FENCING KIT
WEIGHT: N/A		
SCALE: 1:15		REV A
SHEET 2 OF 4		A3

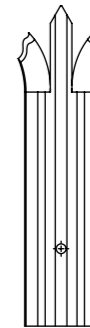
DO NOT SCALE DRAWING

Notes:

- The Fencing comes Galvanised, However it can be PPC in a variety of standard and non-standard colours to match gates.



ROUND & NOTCHED



TRIPLE POINT



SINGLE POINT

Item	Component Name	Qty
1	PaliGuard® 1.5M - 3.6M HIGH BOLT DOWN PALISADE POST 100x55 - 127x76mm RSJ POSTS	1
2	PaliGuard® PALISADE RAIL 50mmx50mm GALVANISED	2
3	PaliGuard® TRIPLE POINTED/ SINGLE POINT/ ROUND & NOTCHED D SECTION PALISADE GALVANISED PALE 2.5MM - 3MM ACTUAL HEIGHT 1450 -3550MM	17
4	PaliGuard® STRAIGHT HEAVY DUTY FISHPLATE FOR PALISADE FENCING	2
5	PaliGuard® M12 X 30mm BOLT	4
6	PaliGuard® M12 SNAP OFF NUT FOR SECURITY BOLTS	4
7	PaliGuard® M8 x 40mm SADDLE BOLT - D SECTION	34
8	PaliGuard® M8 SNAP OFF NUT FOR SECURITY BOLTS	34

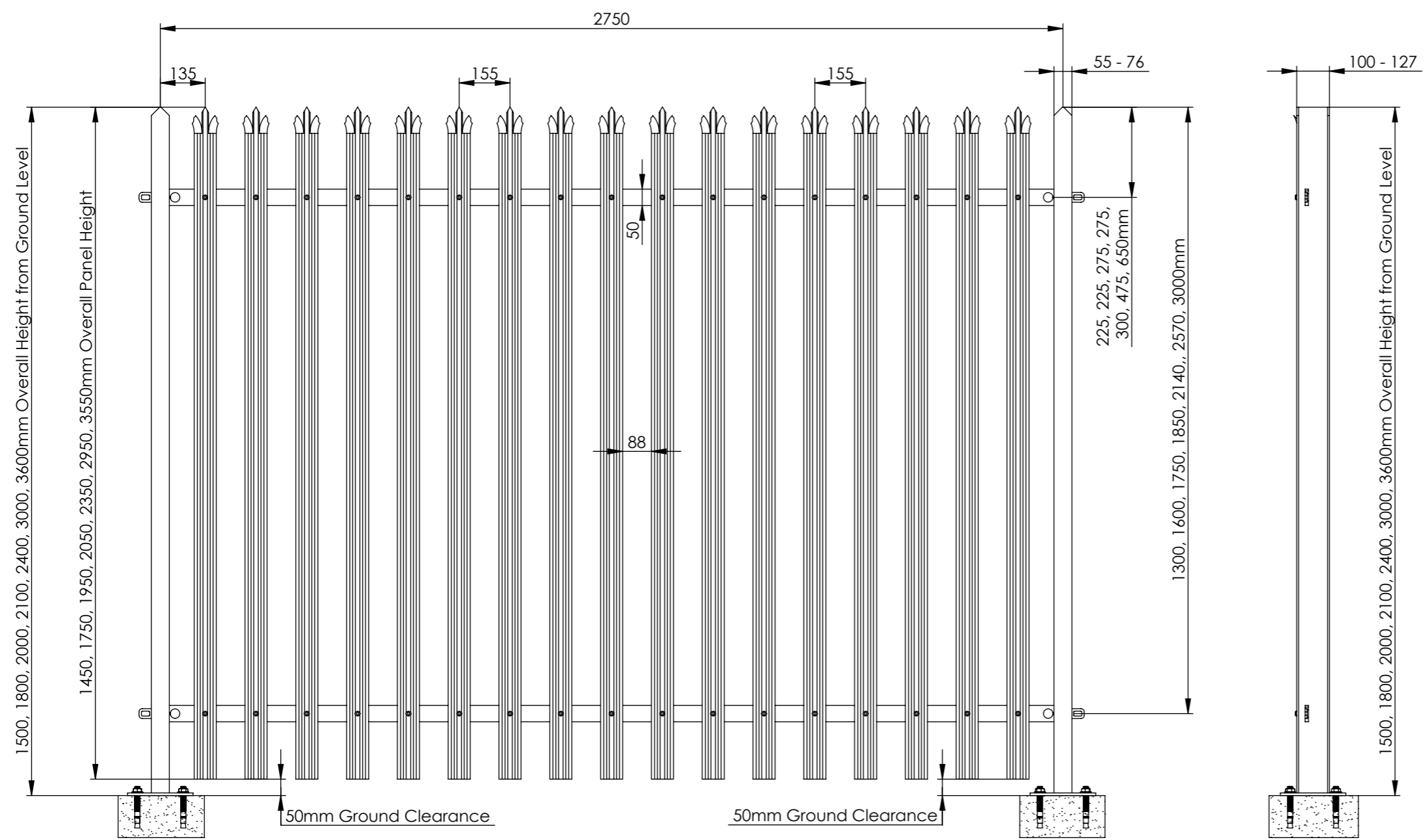
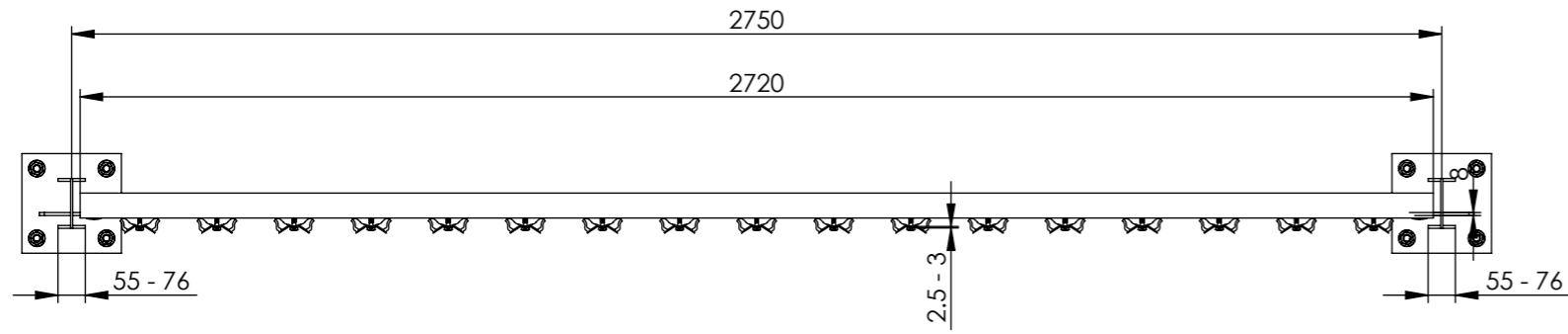
REV	DESCRIPTION	DATE

DRAWN		NAME		DATE		
W.P.		W.P.		25/02/2026		
APVD						
Tolerance	0 - 50mm	± 0.2mm	SKU: PaliGuard®			
	> 50 - 500mm	± 1mm				
	>1000mm	± 3mm				
Third Angle Projection		TITLE: PaliGuard® - 1.5m - 3.6m High x 2.75m Wide D SECTION PALISADE 2.5MM TO 3.0MM PALE BOLT DOWN FENCING KIT		REV A		
Material: N/A		SCALE: 1:15		SHEET 3 OF 4		A3
WEIGHT: N/A						

DO NOT SCALE DRAWING

Notes:

- The Fencing comes Galvanised, However it can be PPC in a variety of standard and non-standard colours to match gates.



System Height & Post Size	
1.5m	(100x55)
1.8m	(100x55)
2.0m	(100x55)
2.1m	(100x55)
2.4m	(100x55)
3.0m	(127x76)
3.6m	(127x76)

REV	DESCRIPTION	DATE

NAME	DATE	
DRAWN	W.P 25/02/2026	
APVD		

Tolerance	0 - 50mm	± 0.2mm	SKU:
	> 50 - 500mm	± 1mm	
	> 1000mm	± 3mm	

Third Angle Projection		TITLE:	REV
Material:	N/A	PaliGuard® - 1.5m - 3.6m High x 2.75m Wide D SECTION PALISADE 2.5MM TO 3.0MM PALE BOLT DOWN FENCING KIT	A
WEIGHT:	N/A	SCALE: 1:15	A3
		SHEET 4 OF 4	