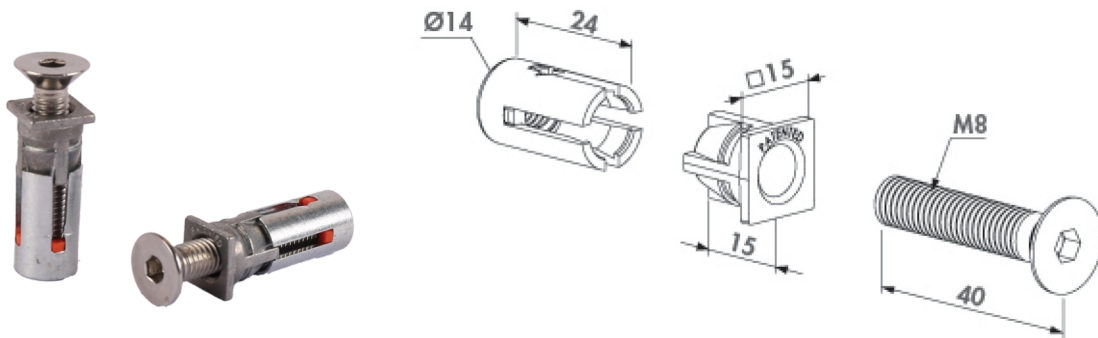


# QUICK-FIX



<https://www.locinox.com/en-gb/gate-hardware/fixation-bolts/p00006000>

The new generation of the Quick-Fix can be reused completely many times thanks to its innovative design. Once mounted, the Quick-Fix keeps its position in the profile, even if the Quick-Fix is unscrewed. This way, the Quick-Fix guarantees an easy, fast and highly robust mounting, which resists to a pulling force of no less than 1.000 kg. Most Locinox products are fitted with the Quick-Fix.



## TECHNICAL SPECIFICATIONS