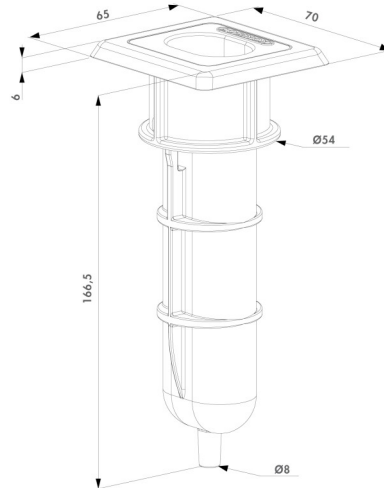


EGS



<https://www.locinox.com/en-gb/gate-hardware/accessories-for-gates/ground-catchers/p00006488>

Economic ground catcher for drop bolts with maximum axle of $\varnothing 20$ mm. With draining hole.



TECHNICAL SPECIFICATIONS