

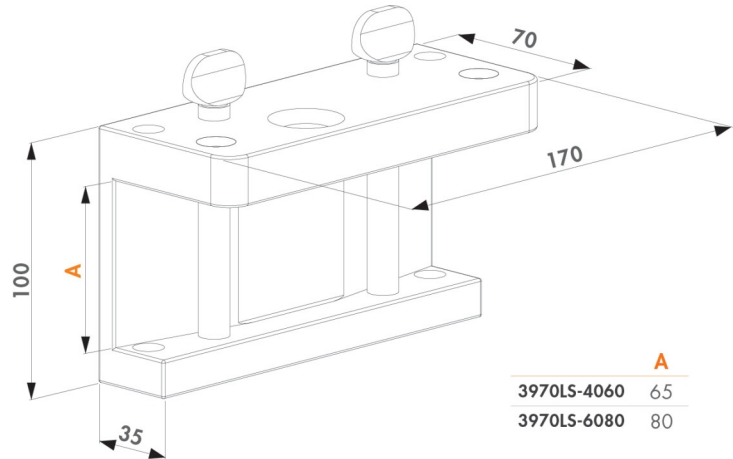
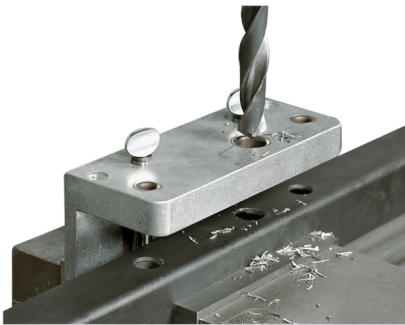
Tools

3970LS



<https://www.locinox.com/en-gb/gate-hardware/accessories-for-locks-keeps/tools/d00000097>

Drilling jig to prepare the gate- and strike-post for sliding gate locks and according keep. The jig can be adjusted for profiles 40-50-60 mm or 60-80 mm according to the version. The jig guarantees a perfect center alignment of the Locinox lock/keep on your posts.



TECHNICAL SPECIFICATIONS