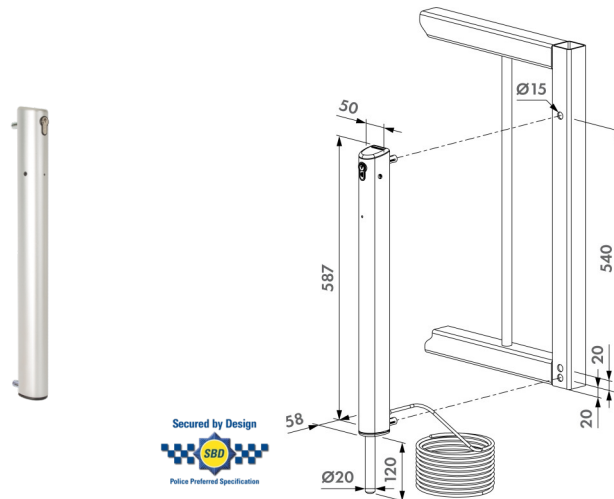


ELECTRADROP



<https://www.locinox.com/en-gb/gate-hardware/drop-bolts/d0000086>

Electric 24V drop bolt with 115 mm throw for safe locking of automated swing gates. By securing your gate with an Electradrop you disburden the electric gate motors.



TECHNICAL SPECIFICATIONS

Left-Right Adjustability	Yes
Installation Method	Quick-Fix
Throw	115mm
Profile Type	Flat
	Square
Cylinder Type	Euro Profile
Cylinder Length	37 mm
Operating Voltage	24V DC
Power	25 W (Standby: 0,2 W)
Gate Profile	x ≥ 40 mm
IP Rating	66
Length Provided Cable	5000 mm (both versions)
Materials Main Part(s)	Powder Coated Aluminium
	Stainless Steel
Hours of Salt Spray Testing	500
Test Frequency	500000
Years of Warranty	2