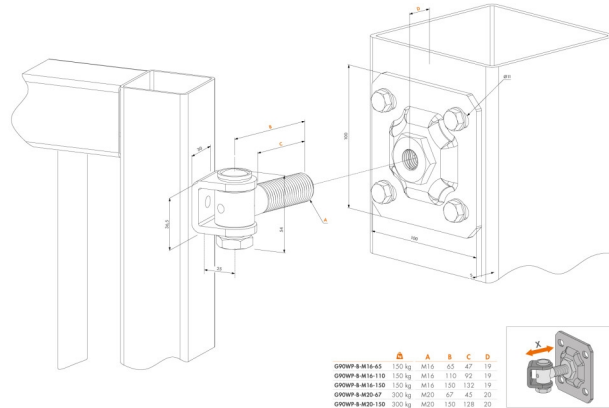


G90WP



<https://www.locinox.com/en-gb/gate-hardware/hinges/industrial-gates/d00000074>

Vandal-proof hot-dip galvanized 90° hinge. This secured hinge is the perfect solution for all your small and medium-sized gates. The eyebolt can not be tampered with when the gate is closed. Thanks to the wall plate with adjustable nut you can easily adjust the hinge.



TECHNICAL SPECIFICATIONS

Left-Right Adjustability	Yes
Minimal Distance Gate - Post	62 mm; 77 mm
Gate Weight	*
	300 kg
Horizontal Adjustability	M16: 30/75/115 mm M20: 27/110 mm
Vertical Adjustability	x
Materials Main Part(s)	Hot Dip Galvanised Steel
Hours of Salt Spray Testing	500
Test Frequency	500000
Years of Warranty	3