

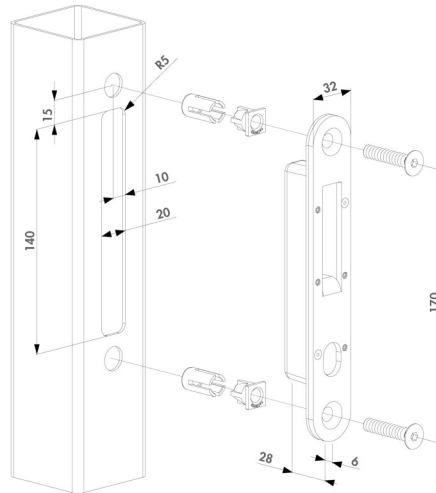
For insert locks

SHKC



<https://www.locinox.com/en-gb/gate-hardware/keeps/for-insert-locks/p00007140>

Stainless steel keep for the H-COMPACT insert lock. The 33 mm throw of the hook and the anti-lift protection provide a secure anchoring.



TECHNICAL SPECIFICATIONS

Left-Right Adjustability	Yes
Installation Method	Quick-Fix
Profile Type	Square
Minimal Distance Gate - Post	6 mm
Materials Main Part(s)	Stainless Steel
Hours of Salt Spray Testing	500
Test Frequency	500000
Years of Warranty	3