

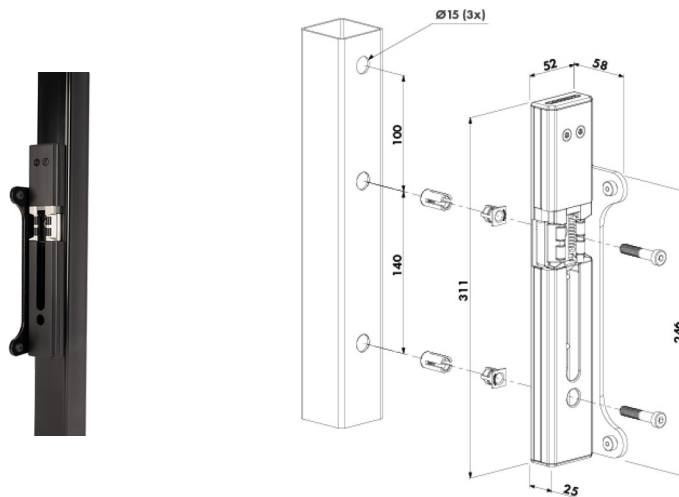
For insert locks

# MODULEC-SF



<https://www.locinox.com/en-gb/gate-hardware/keeps/for-insert-locks/d0000053>

Easy-to-install surface mounted electric strike with a narrowed stop plate for insert locks. Thanks to the patented Quick-Fix, a quick installation is guaranteed: no more drilling or laser-cutting the gate profile. The black anodized housing ensures a corrosion and scratch-free use for many years. Can be connected to both 12V - 24V and AC/DC. Modulec-SF is available in two versions: E (Emissa - Fail Close) and R (Ruptura - Fail Open).



## TECHNICAL SPECIFICATIONS

<b>Left-Right Adjustability</b>	Yes
<b>Installation Method</b>	Hexagon Screws (HEX 5) Quick-Fix
<b>Profile Type</b>	Square
<b>Operating Voltage</b>	12V AC/DC 24V AC/DC
<b>Gate Profile</b>	$40 \leq x \leq 60$ mm
<b>Minimal Distance Gate - Post</b>	30 mm
<b>IP Rating</b>	54
<b>Materials Main Part(s)</b>	Anodised And Powder Coated Aluminium Resin Encapsulated PCB Stainless Steel
<b>Hours of Salt Spray Testing</b>	500
<b>Test Frequency</b>	500000
<b>Years of Warranty</b>	2