

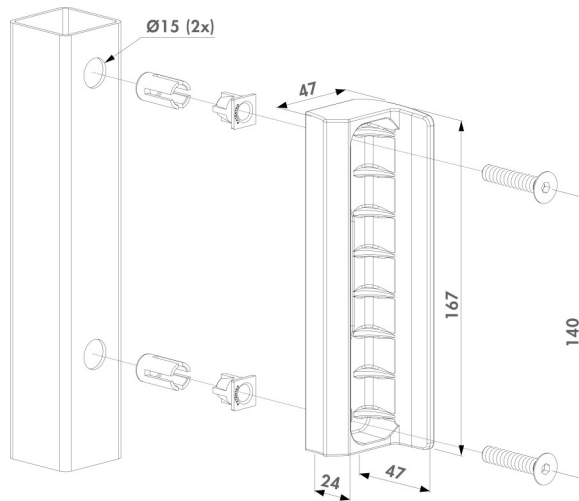
For standard locks

# SMKLQF



<https://www.locinox.com/en-gb/gate-hardware/keeps/for-standard-locks/d00000043>

Polyamide keep for garden gates. The Quick-Fix fixation ensures a fast and strong mounting on rectangular posts. For gate profiles of 40 mm width.



## TECHNICAL SPECIFICATIONS

<b>Left-Right Adjustability</b>	Yes
<b>Installation Method</b>	Hexagon Screws (HEX 5) Quick-Fix
<b>Minimal Distance Gate - Post</b>	30 mm
<b>Materials Main Part(s)</b>	Polyamide
<b>Test Frequency</b>	500000
<b>Years of Warranty</b>	3