

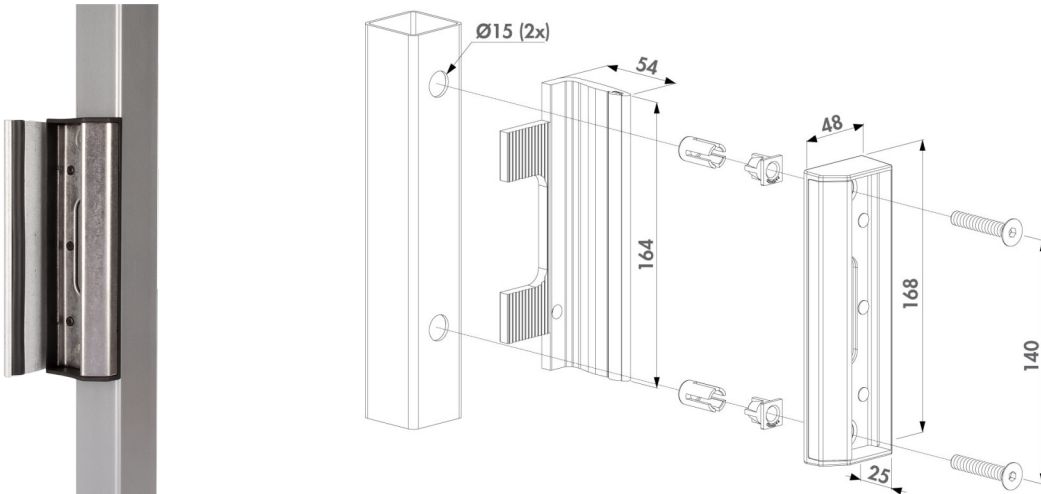
For standard locks

# SAKLQF



<https://www.locinox.com/en-gb/gate-hardware/keeps/for-standard-locks/d00000041>

Stainless steel keep with polyamide finishing used as standard for all your gates (garden, ornamental, industrial,...). The unique Quick-Fix ensures a fast and strong mounting. The adjustable, aluminium stop plate with rubber accepts different gate profiles from 40 to 60 mm width. Redesigned to make the strike accept the latchbolt easier.



## TECHNICAL SPECIFICATIONS

<b>Left-Right Adjustability</b>	Yes
<b>Installation Method</b>	Hexagon Screws (HEX 5) Quick-Fix
<b>Minimal Distance Gate - Post</b>	30 mm
<b>Materials Main Part(s)</b>	Aluminium Polypropylene Stainless Steel
<b>Hours of Salt Spray Testing</b>	500
<b>Test Frequency</b>	500000
<b>Years of Warranty</b>	3