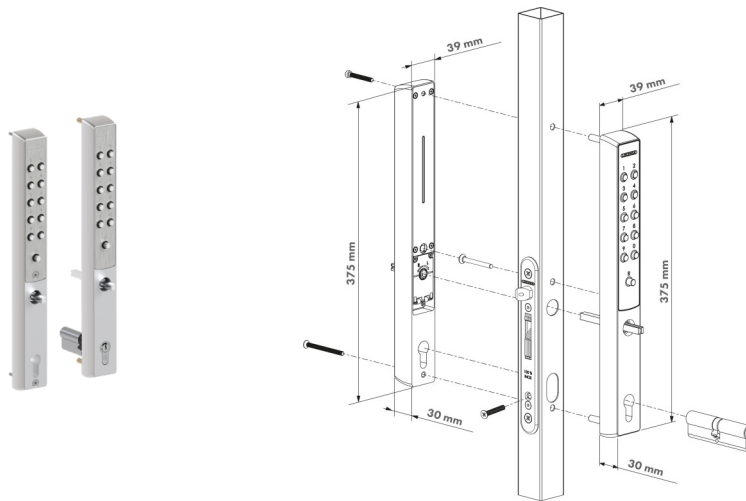


VITA



<https://www.locinox.com/en-gb/gate-hardware/locks/code-locks-for-insert-locks/d00000203>

Simple, maintenance-free access control for gates equipped with an insert lock. The VITA is a mechanical code lock that operates without electricity, compatible with FORTY-, FIFTY-, SIXTY-, and EIGHTYLOCK. The PIN code can be easily changed or removed, and both entry and exit codes can be set independently. Available in two configurations: a double version with a keypad on both sides, or a single version with one keypad and a free exit.



TECHNICAL SPECIFICATIONS

Left-Right Adjustability	Yes
Installation Method	Screws
Profile Type	Flat Square
Cylinder Type	Euro Profile
Gate Profile	$x \geq 40$ mm
Materials Main Part(s)	Anodised And Powder Coated Aluminium Stainless Steel Mechanism
Test Frequency	500,000 Cycles
Years of Warranty	3