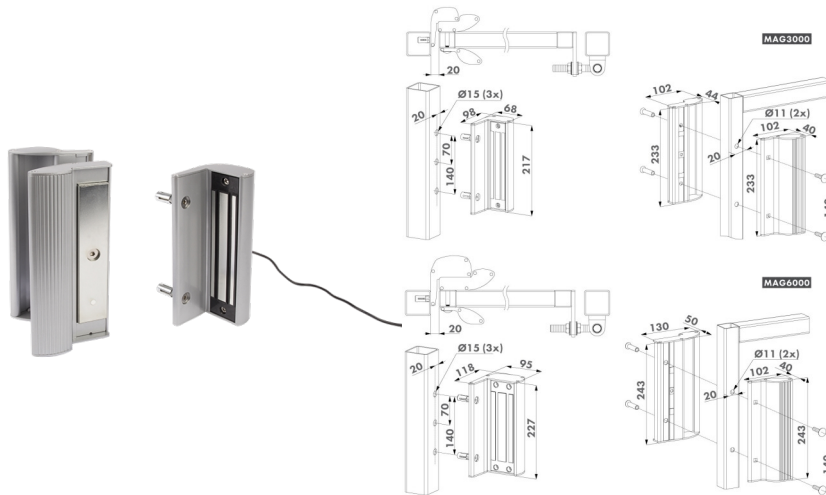


# MAG



<https://www.locinox.com/en-gb/gate-hardware/locks/electromagnetic-locks/d00000024>

Screw-on electromagnetic lock for access control. Available in 2 versions. MAG3000 with 300 kg and MAG6000 with 600 kg pulling force. The aluminium powder coated housing with integrated design handles gives your access control gate that extra touch. Stop losing precious time with welding boxes; drilling 7 holes does the job. The Quick-Fix enables a fast and strong fixing. A two layer, protective coating guarantees that our electromagnetic locks are ready for years of worry-free use outside.



## TECHNICAL SPECIFICATIONS

<b>Left-Right Adjustability</b>	Yes
<b>Installation Method</b>	Quick-Fix
<b>Profile Type</b>	Flat Square
<b>Operating Voltage</b>	12V DC / 24V DC
<b>Operating Current</b>	MAG3000: 500 mA (12 V) or 250 mA (24 V) MAG6000: 460 mA (12 V) or 230 mA (24 V)
<b>IP Rating</b>	68
<b>Length Provided Cable</b>	1100 mm
<b>Materials Main Part(s)</b>	Powder Coated Aluminium Special Two Layer Protective Coating
<b>Norms</b>	ISO 9227
<b>Hours of Salt Spray Testing</b>	500
<b>Test Frequency</b>	500000
<b>Years of Warranty</b>	2