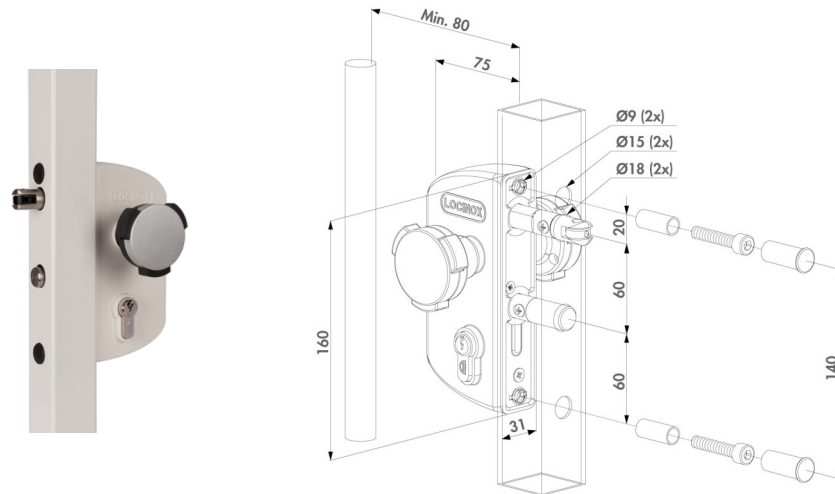


# LAKZP1WSI



<https://www.locinox.com/en-gb/gate-hardware/locks/child-safe-locks/d00000039>

Child safety gate lock with stainless steel mechanism and polyamide housing. This lock is conform to the swimming pool safety standard NF P90-306. The child safety lock prevents little children from accessing the pool. The unique rollerbolt facilitates the closing of the gate. For a fast and highly precise installation, we recommend using the Drill-Fix drilling jig.



## TECHNICAL SPECIFICATIONS

<b>Left-Right Adjustability</b>	Yes
<b>Installation Method</b>	Hexagon Nuts (HEX 5) + Spacers
<b>Daybolt Adjustability</b>	20 mm
<b>Key-operated Self-Latching Bolt</b>	No
<b>Cylinder Type</b>	Euro Profile
<b>Cylinder Length</b>	46 mm
<b>Materials Main Part(s)</b>	Polyamide Housing Stainless Steel Mechanism
<b>Norms</b>	NF P90-306
<b>Hours of Salt Spray Testing</b>	1000
<b>Test Frequency</b>	500000
<b>Years of Warranty</b>	3