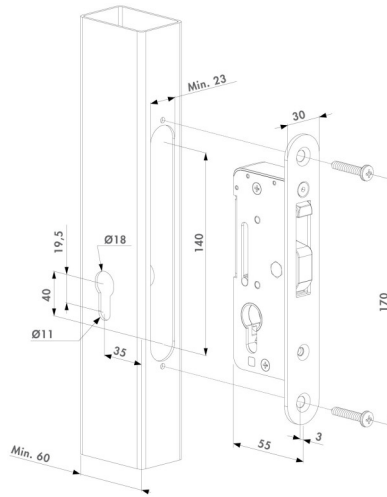


H-COMPACT



<https://www.locinox.com/en-gb/gate-hardware/locks/insert-locks/p00008039>

Quality 100% stainless steel insert lock with hook for a mechanical closure of (automated) sliding gates. The absence of handles prevents people from climbing over the fence with the handle as a step.



TECHNICAL SPECIFICATIONS

Left-Right Adjustability	Yes
Installation Method	Cross Recessed Tapping Screw (PH 3)
Throw	Hook 33 mm
Follower Size	Square 8 mm
Backset	35 mm
Cylinder Type	Euro Profile
Materials Main Part(s)	Stainless Steel Mechanism
Hours of Salt Spray Testing	500
Test Frequency	500000
Years of Warranty	3