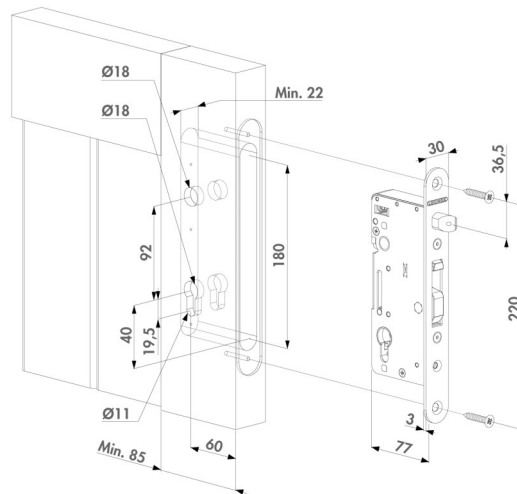


# H-WOOD



<https://www.locinox.com/en-gb/gate-hardware/locks/insert-locks/p00008052>

Insert lock made of high quality with 100% stainless steel mechanism. The massive stainless steel hook and adjustable latch bolt makes this a one of a kind lock. The combination of the hook (dead bolt) with the corresponding keep provides a secure anchoring of your gate. These locks can be used on metal or aluminium gates.



## TECHNICAL SPECIFICATIONS

<b>Left-Right Adjustability</b>	Yes
<b>Installation Method</b>	Cross recessed Screws (PH 3)
<b>Daybolt Adjustability</b>	20 mm
<b>Key-operated Self-Latching Bolt</b>	Yes
<b>Throw</b>	Hook 33 mm
<b>Follower Size</b>	Square 8 mm
<b>Backset</b>	60 mm
<b>Cylinder Type</b>	Euro Profile
<b>Materials Main Part(s)</b>	Stainless Steel Mechanism
<b>Hours of Salt Spray Testing</b>	500
<b>Test Frequency</b>	500000
<b>Years of Warranty</b>	3