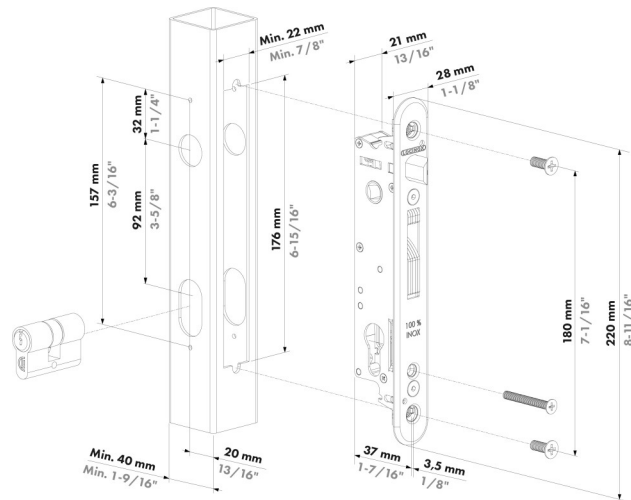


# FORTYLOCK



<https://www.locinox.com/en-gb/gate-hardware/locks/insert-locks/p00007978>

Prime insert lock with 100% stainless steel mechanism. The stainless steel adjustable self-latching bolt and hook combined with the right keep guarantee a strong and solid closed gate where the gate wings can not be pulled apart or forced open. The lock can be installed on metal, aluminium and PVC gates. Thanks to the patented "Click-It" system, installing the lock can be done in a matter of seconds.



## TECHNICAL SPECIFICATIONS

Left-Right Adjustability	Yes
Daybolt Adjustability	10 mm
Key-operated Self-Latching Bolt	Yes
Throw	Hook 21 mm
Follower Size	Square 8 mm
Backset	20 mm
Cylinder Type	Euro Profile
Hours of Salt Spray Testing	500
Test Frequency	500000
Years of Warranty	3