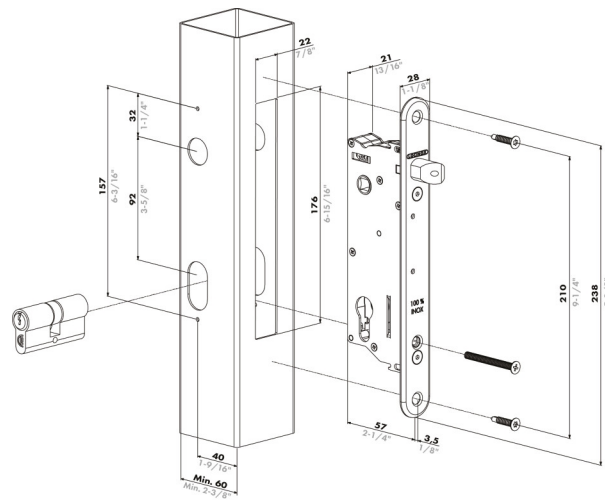
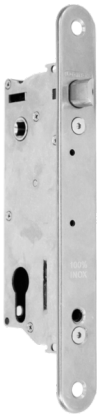


SIXTYLOCK-A



<https://www.locinox.com/en-gb/gate-hardware/locks/insert-locks/p00043521>

Insert lock, recommended for residential applications, featuring a 100% stainless-steel mechanism, a 40-mm backset and a 10-mm adjustable bolt. A patented internal mechanism provides two locking functions through the cylinder: on the latch bolt and and/or the handles. Both the latch bolt and the handles can be locked when combined with a mechanical keep. To ensure compatibility with electric keeps, there is a setting for an unlocked latch bolt while the handles remain locked. Easy mounting with self-drilling screws in a rectangular recess in metal, aluminium, wood or PVC profiles starting from 60 mm.



TECHNICAL SPECIFICATIONS

| | |
|--|---------------------------|
| Left-Right Adjustability | Yes |
| Installation Method | Screws |
| Daybolt Adjustability | 10 mm |
| Key-operated Self-Latching Bolt | Yes |
| Follower Size | Square 8 mm |
| Backset | 40 mm |
| Profile Type | Flat Square |
| Cylinder Type | Euro Profile |
| Gate Profile | 60 mm |
| Materials Main Part(s) | Stainless Steel Mechanism |
| Temperature Range | -30°C / 70°C |
| Hours of Salt Spray Testing | 500 |
| Test Frequency | 500,000 Cycles |
| Years of Warranty | 3 |