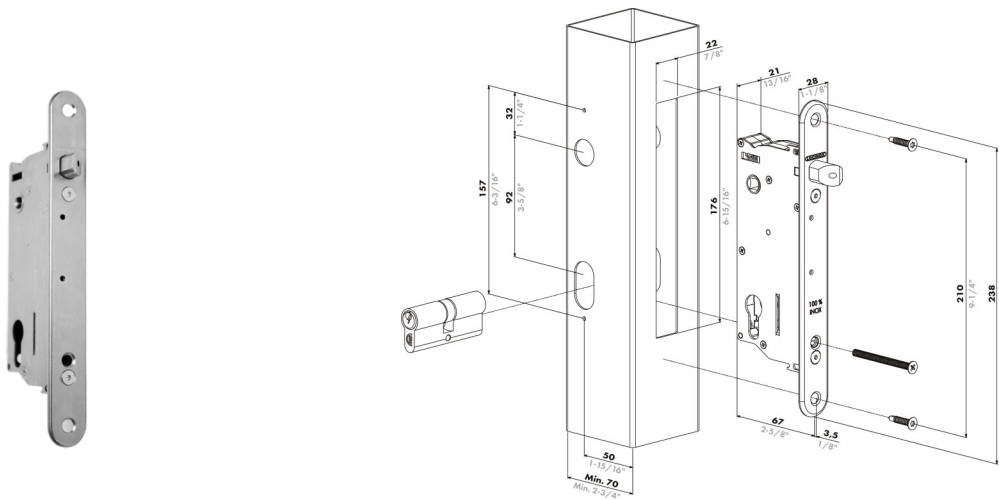


SEVENTYLOCK-A



<https://www.locinox.com/en-gb/gate-hardware/locks/insert-locks/p00043199>

Insert lock, recommended for residential applications, featuring a 100% stainless-steel mechanism, a 50-mm backset and a 10-mm adjustable bolt. A patented internal mechanism provides two locking functions through the cylinder: on the latch bolt and and/or the handles. Both the latch bolt and the handles can be locked when combined with a mechanical keep. To ensure compatibility with electric keeps, there is a setting for an unlocked latch bolt while the handles remain locked. Easy mounting with self-drilling screws in a rectangular recess in metal, aluminium, wood or PVC profiles starting from 70 mm.



TECHNICAL SPECIFICATIONS

Left-Right Adjustability	Yes
Installation Method	Screws
Daybolt Adjustability	10 mm
Key-operated Self-Latching Bolt	Yes
Follower Size	Square 8 mm
Backset	50 mm
Profile Type	Flat
	Square
Cylinder Type	Euro Profile
Gate Profile	70 mm
Materials Main Part(s)	Stainless Steel Mechanism
Temperature Range	-30°C / 70°C
Hours of Salt Spray Testing	500
Test Frequency	500,000 Cycles
Years of Warranty	3