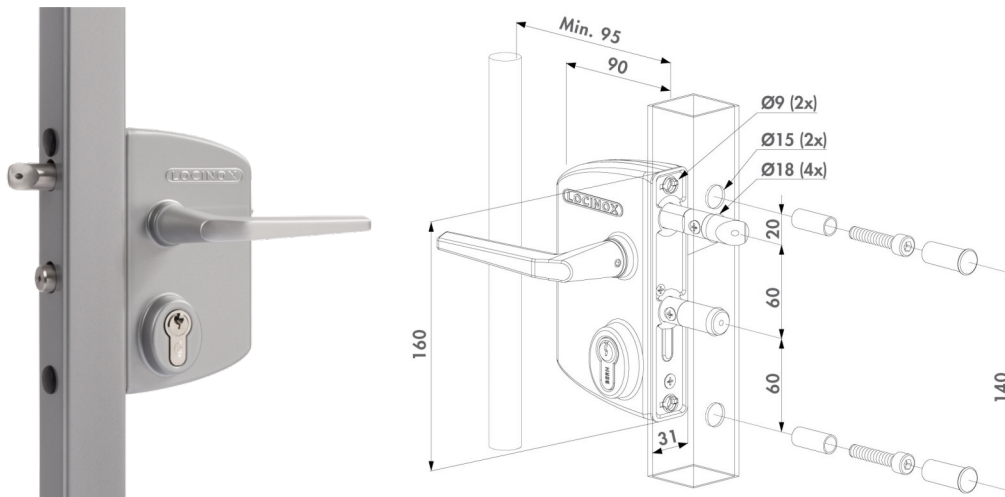


LAKQU2



<https://www.locinox.com/en-gb/gate-hardware/locks/surface-mounted-locks/d0000001>

High quality gate lock with aluminium housing and stainless steel mechanism. We advise this lock as a standard for all your industrial gates. The 20 mm continuous adjustability of the bolts allows a perfect latching / locking of the mechanism. A solid stainless steel deadbolt with a 23 mm throw guarantees a secure locking. Standard supplied with anodized aluminium handle pair. For a fast and highly precise installation, we recommend using the Drill-Fix drilling jig.



TECHNICAL SPECIFICATIONS

Left-Right Adjustability	Yes
Installation Method	Hexagon Nuts (HEX 5) + Spacers
Daybolt Adjustability	20 mm
Nightbolt Adjustability	20 mm
Key-operated Self-Latching Bolt	Yes
Throw	Nightbolt 23 mm
Follower Size	Square 8 mm
Profile Type	Flat Round Square
Cylinder Type	Euro Profile
Cylinder Length	54 mm
Materials Main Part(s)	KTL And Spray Coated Aluminium Housing Stainless Steel Mechanism
Norms	ISO 9227 KTL
Hours of Salt Spray Testing	1000
Test Frequency	500000
Years of Warranty	3