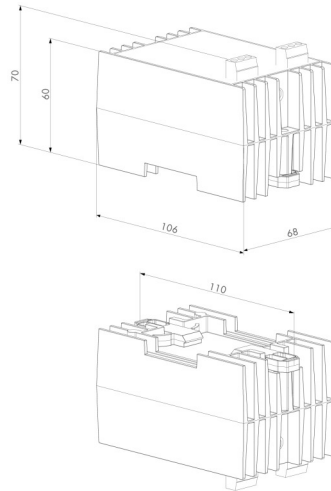


DC-POWER-12V-20W



<https://www.locinox.com/en-gb/access-control/power-supplies/p00008822>

Safety power supply 12V / 13V DC - 20W



TECHNICAL SPECIFICATIONS

Operating Voltage	Primary voltage: 230V Secondary voltage: 12V and 13V DC
Power	20W
Depth Adjustability	x
Materials Main Part(s)	Aluminium Resin Encapsulated Electronics
Hours of Salt Spray Testing	500
Years of Warranty	2