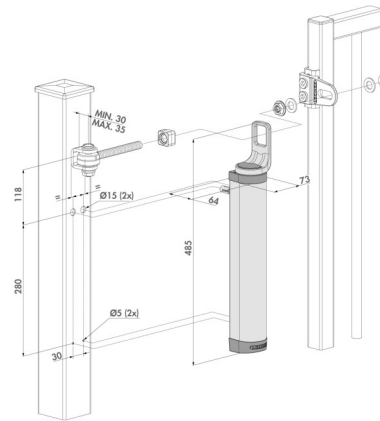


RHINO



<https://www.locinox.com/en-gb/gate-closers/retro-fit/p00009905>

Transform your 180° hinge into a self-closing solution thanks to our Rhino hydraulic gate closer. The direct connection to the Locinox hinge guarantees the discreet look and efficient transmission of the energy required to close the gate perfectly. The anodized aluminium housing ensures a durable and smooth operation in any weather. The Rhindrill jig guarantees an extremely efficient installation.



TECHNICAL SPECIFICATIONS

Left-Right Adjustability	Yes
Gate Width	900 - 1500 mm
Gate Weight	0 - 150 kg
Force	20 Nm
Maximum Opening Angle	180°
Final Snap Adjustability	Yes
Speed Adjustability	Yes
Hydraulic Gate Closer	Yes
Materials Main Part(s)	Powder Coated Aluminium
Temperature Range	-30°C / 70°C
Norms	ADA PMR
Hours of Salt Spray Testing	500
Test Frequency	500000
Years of Warranty	3