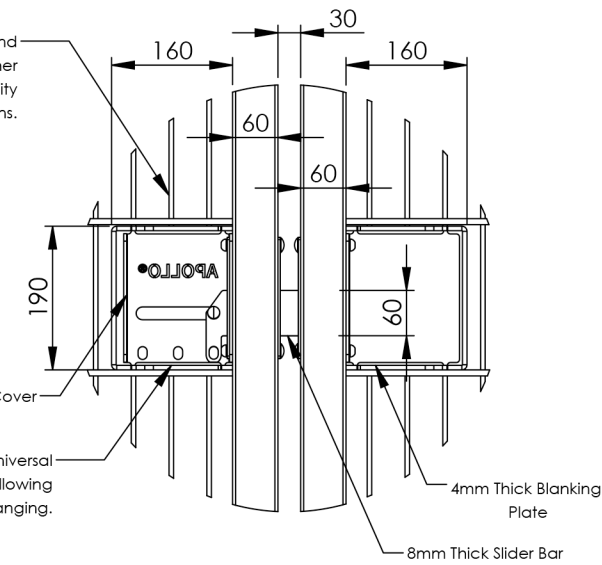


DO NOT SCALE DRAWING

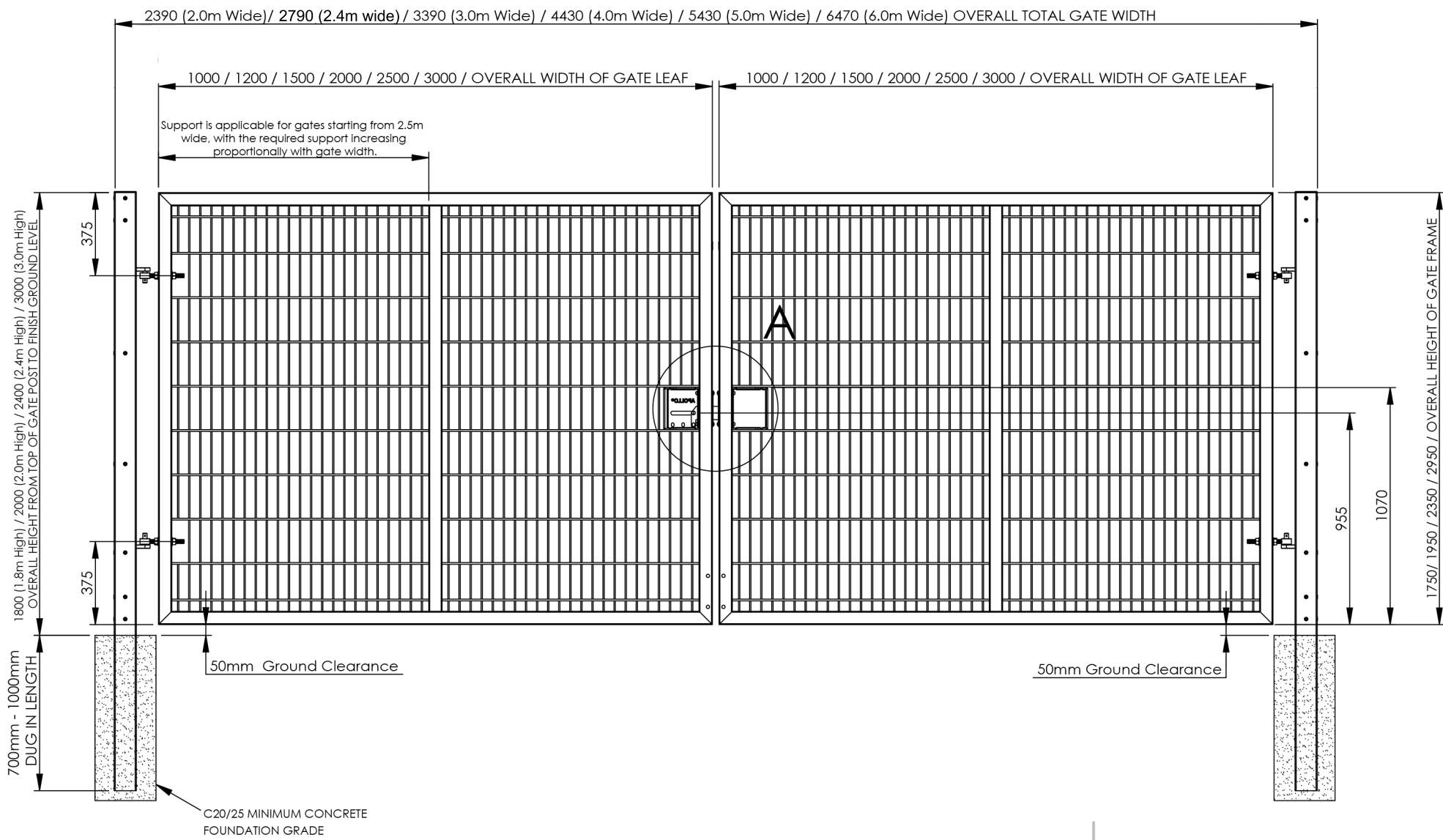
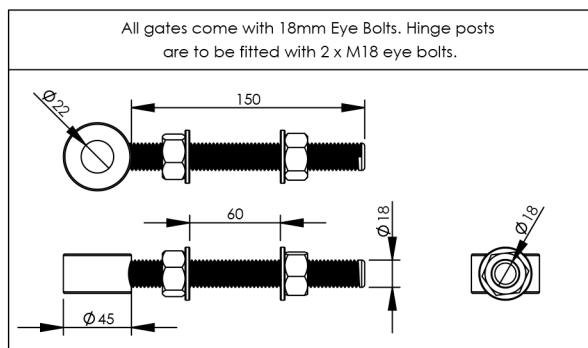
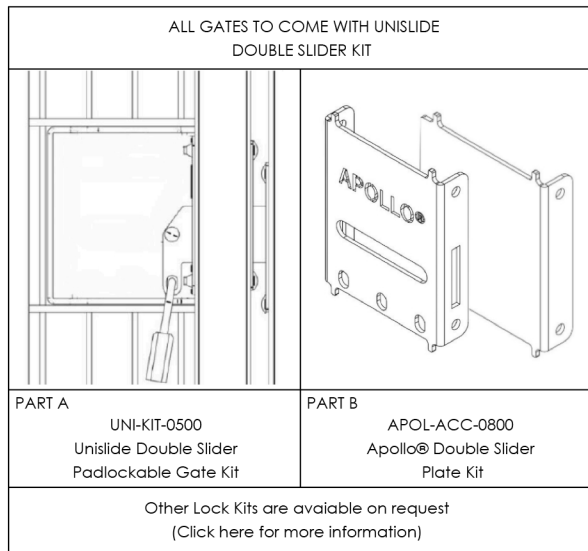
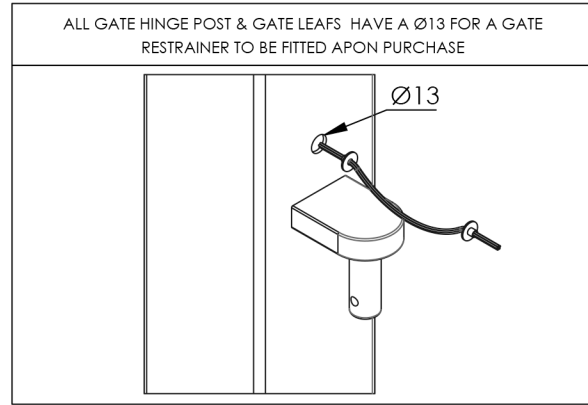
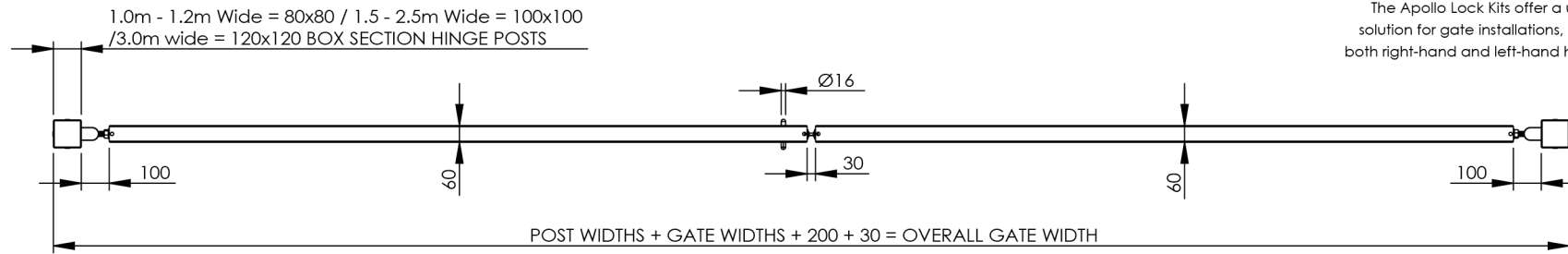
Notes:

1. All materials to be mild steel and conform to relevant British standards.
2. All items to be pre-galvanised to BS EN 10346 or hot dip galvanised to ISO 1461.
3. Items can be powder coated on request, powder coating to : BS EN 13438
4. installation via R.A.M.S

Thanks to the centrally welded mesh and the ability to mount the lock kit on either side, these kits provide maximum flexibility for various gate configurations.



DETAIL A



FOR 80x80/100x100 BOX SECTION POST (LENGTH = GATE HEIGHT + 700mm)
FOR 120x120 BOX SECTION POST (LENGTH = GATE HEIGHT + 1000mm)

REV	DESCRIPTION	DATE

NAME	DATE
W.P.	29/05/2025
APVD	
Tolerance	SKU:
0 - 50mm	± 0.2mm
> 50 - 500mm	± 1mm
> 1000mm	± 3mm
Material: Steel	TITLE: APOLLO® 1.8m x 3.0m High - 2.0m x 6.0m WIDE DOUBLE LEAF DIG IN GATE KIT RANGE DRAWING
WEIGHT: N/A	SCALE: N/A
	SHEET 1 OF 2

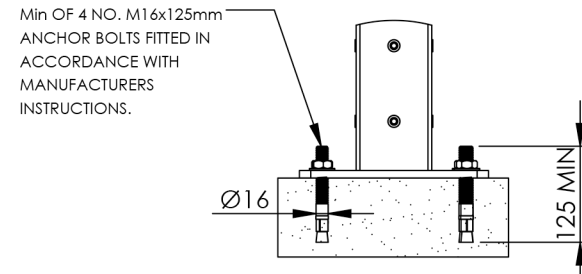
REV	A
	A3



APOLLO®

REV A
A3

DO NOT SCALE DRAWING

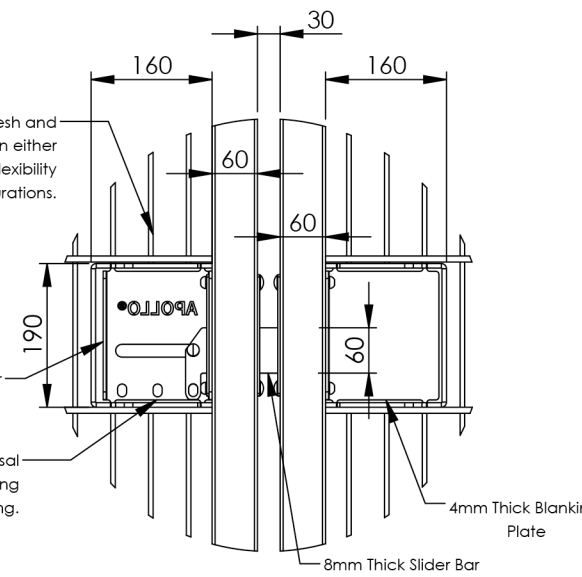


DETAIL A

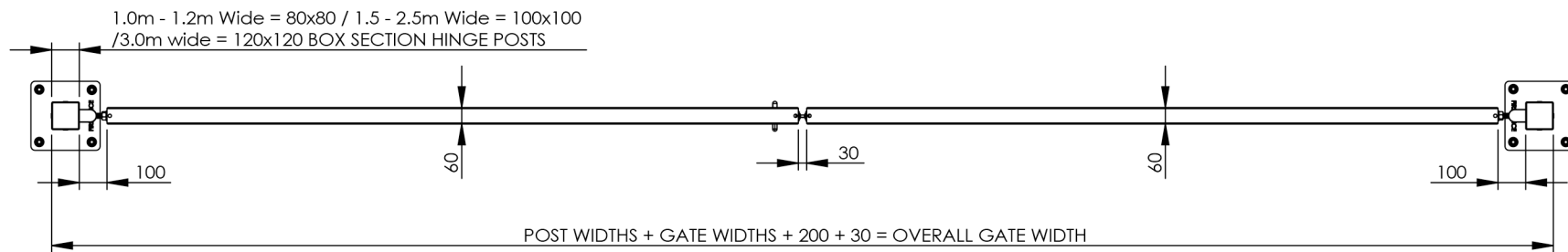
Thanks to the centrally welded mesh and the ability to mount the lock kit on either side, these kits provide maximum flexibility for various gate configurations.

4mm Thick Plate Slider Cover

The Apollo Lock Kits offer a universal solution for gate installations, allowing both right-hand and left-hand hanging.



DETAIL B

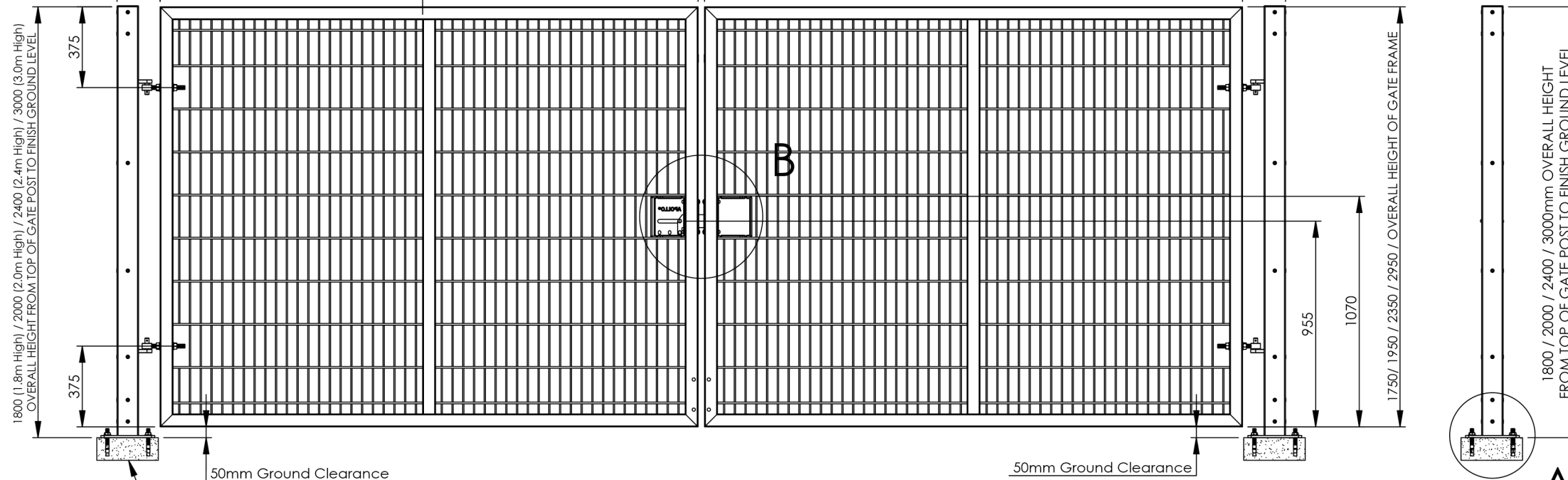


2390 (2.0m Wide) / 2790 (2.4m wide) / 3390 (3.0m Wide) / 4430 (4.0m Wide) / 5430 (5.0m Wide) / 6470 (6.0m Wide) OVERALL TOTAL GATE WIDTH

1000 / 1200 / 1500 / 2000 / 2500 / 3000 / OVERALL WIDTH OF GATE LEAF

1000 / 1200 / 1500 / 2000 / 2500 / 3000 / OVERALL WIDTH OF GATE LEAF

Support is applicable for gates starting from 2.5m wide, with the required support increasing proportionally with gate width.

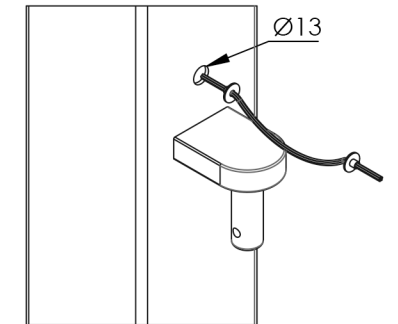


A

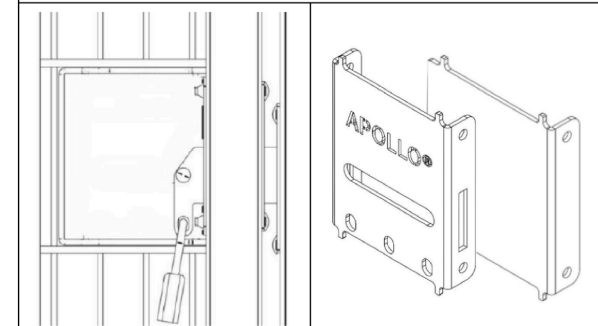
Notes:

1. All materials to be mild steel and conform to relevant British standards.
2. All items to be pre-galvanised to BS EN 10346 or hot dip galvanised to ISO 1461.
3. Items can be powder coated on request, powder coating to : BS EN 13438
4. installation via R.A.M.S

ALL GATE HINGE POST & GATE LEAFS HAVE A Ø13 FOR A GATE RESTRAINER TO BE FITTED APON PURCHASE



ALL GATES TO COME WITH UNISLIDE DOUBLE SLIDER KIT

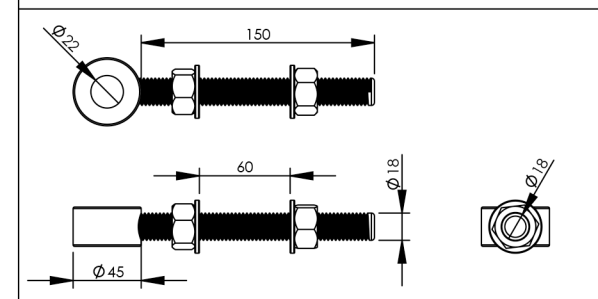


PART A
UNI-KIT-0500
Unislide Double Slider
Padlockable Gate Kit

PART B
APOL-ACC-0800
Apollo® Double Slider
Plate Kit

Other Lock Kits are available on request
(Click here for more information)

All gates come with 18mm Eye Bolts. Hinge posts are to be fitted with 2 x M18 eye bolts.



REV	DESCRIPTION	DATE

NAME	DATE	
DRAWN W.P.	29/05/2025	
APVD		
Tolerance	0 - 50mm ± 0.2mm	SKU:
	> 50 - 500mm ± 1mm	APOLLO®
	> 1000mm ± 3mm	
Material: Steel	TITLE: APOLLO® 1.8m x 3.0m High - 2.0m x 6.0m WIDE DOUBLE LEAF BOLT DOWN GATE KIT RANGE DRAWING	REV A
WEIGHT: N/A	SCALE: N/A	A3
		SHEET 2 OF 2