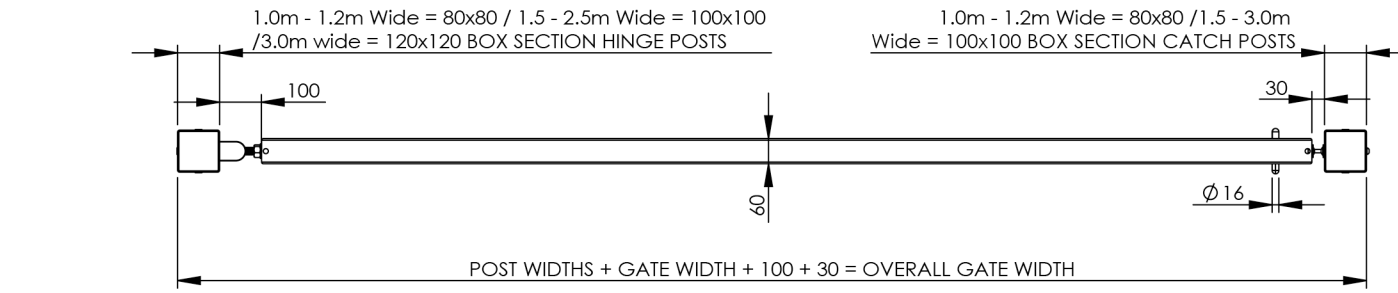
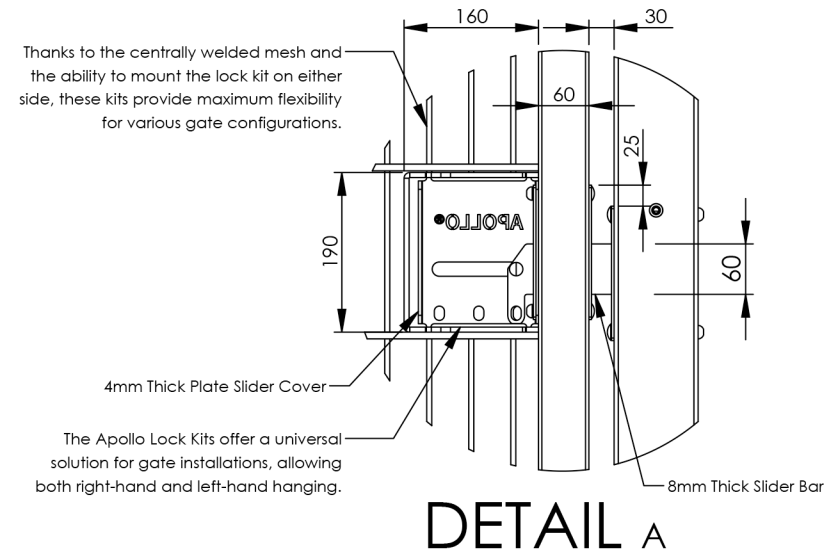


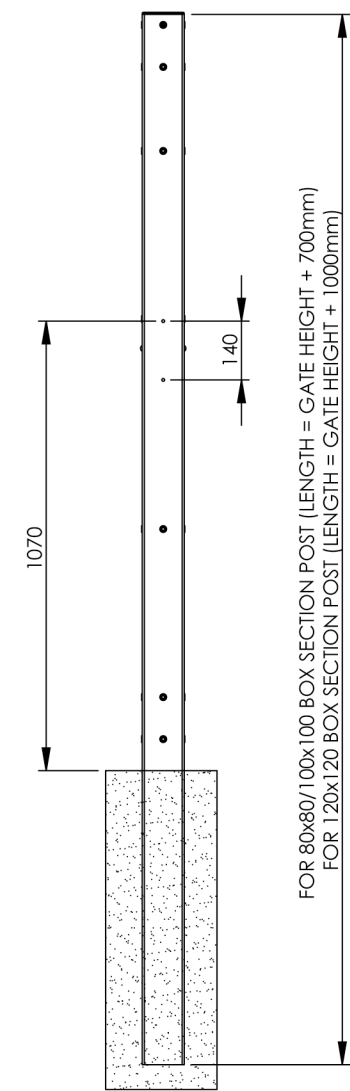
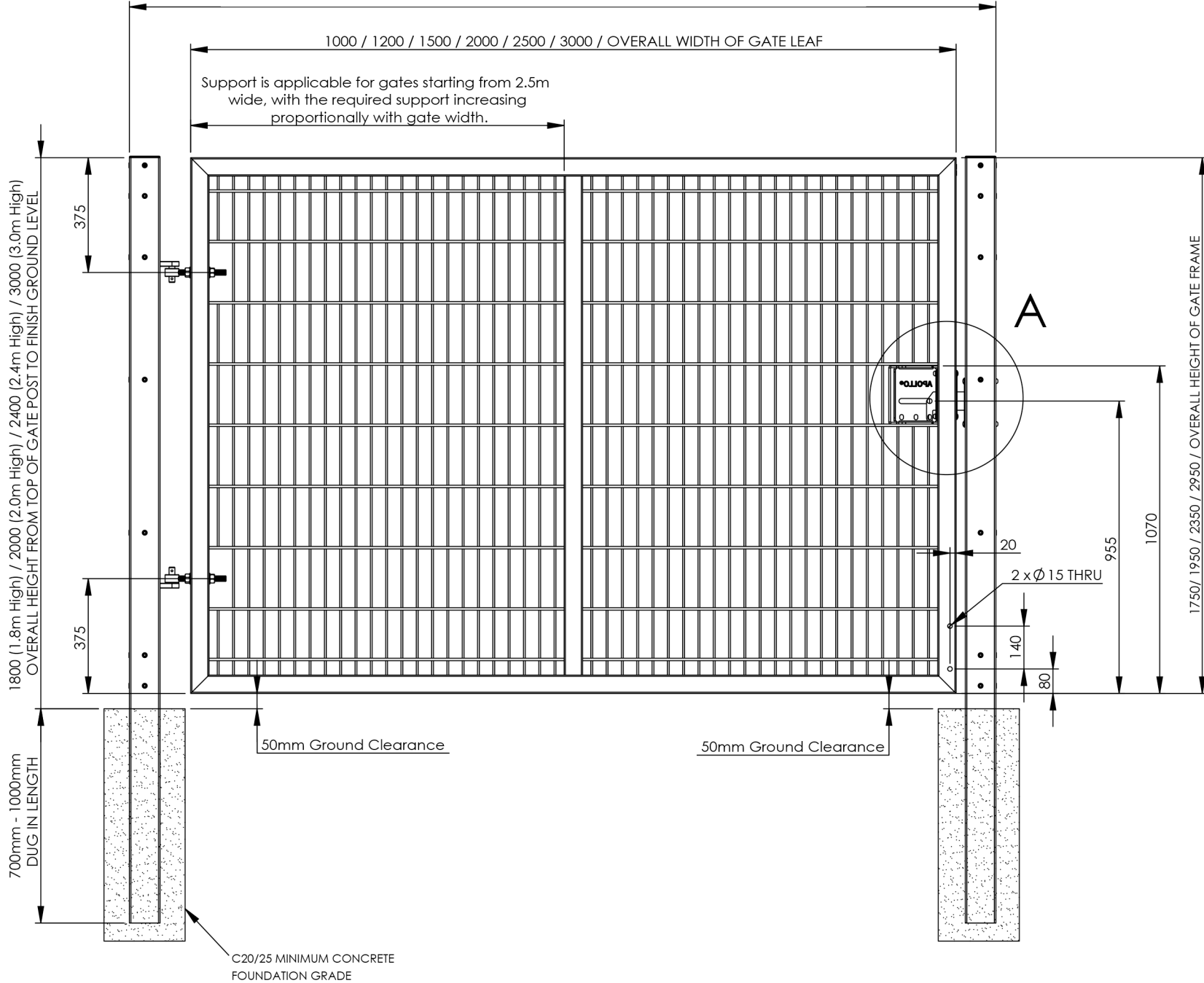
DO NOT SCALE DRAWING

Notes:

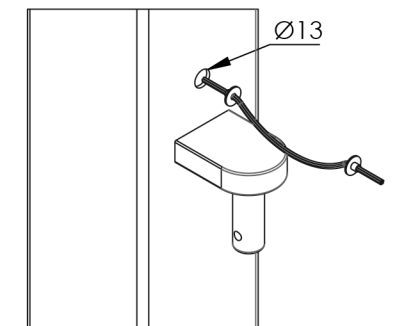
1. All materials to be mild steel and conform to relevant British standards.
2. All items to be pre-galvanised to BS EN 10346 or hot dip galvanised to ISO 1461.
3. Items can be powder coated on request, powder coating to : BS EN 13438
4. installation via R.A.M.S



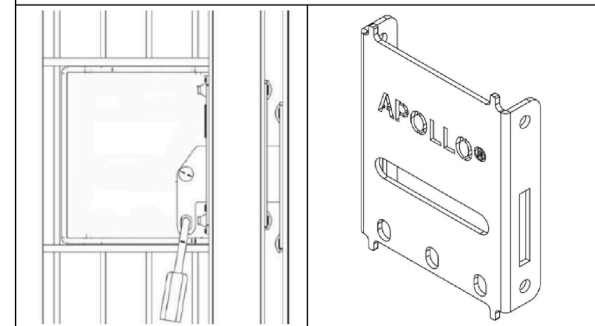
1290 (1.0m Wide) / 1490 (1.2m Wide) / 1790 (1.5m Wide) / 2330 (2.0m Wide) / 2830 (2.5m Wide) / 3330 (3.0m Wide) OVERALL TOTAL GATE WIDTH



ALL GATE HINGE POST & GATE LEAFS HAVE A Ø13 FOR A GATE RESTRAINER TO BE FITTED APON PURCHASE



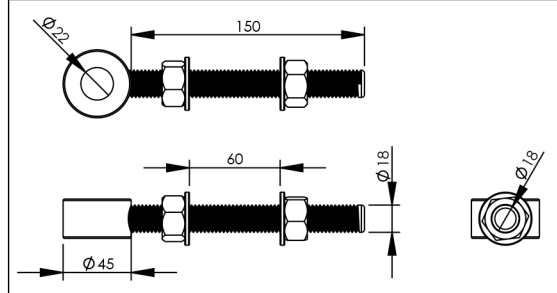
ALL GATES TO COME WITH UNISLIDE SINGLE SLIDER KIT



PART A UNI-KIT-0250 Unislide Single Slider Padlockable gate kit  
PART B APOL-ACC-0750 Apollo® Single Slider Plate

Other Lock Kits are available on request (Click here for more information)

All gates come with 18mm Eye Bolts. Hinge posts are to be fitted with 2 x M18 eye bolts.



REV	DESCRIPTION	DATE

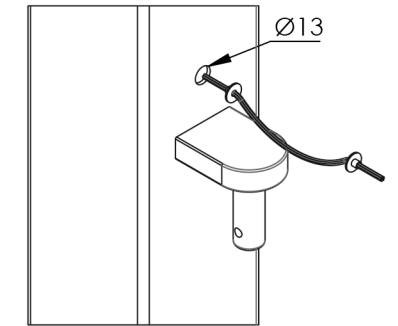
NAME	DATE	
DRAWN W.P	29/05/2025	
APVD		
Tolerance	0 - 50mm ± 0.2mm	<b>APOLLO®</b>
	> 50 - 500mm ± 1mm	
	> 1000mm ± 3mm	
Material: Steel	TITLE: APOLLO® 1.8m x 3.0m High - 1.0m x 3.0m WIDE SINGLE LEAF DIG IN GATE KIT RANGE DRAWING	
WEIGHT: N/A	SCALE: N/A	REV A
		A3
	SHEET 1 OF 2	

DO NOT SCALE DRAWING

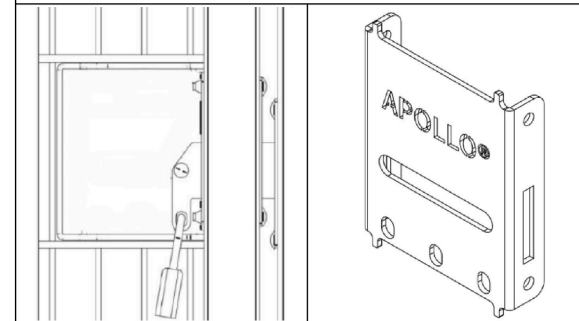
Notes:

1. All materials to be mild steel and conform to relevant British standards.
2. All items to be pre-galvanised to BS EN 10346 or hot dip galvanised to ISO 1461.
3. Items can be powder coated on request, powder coating to : BS EN 13438
4. installation via R.A.M.S

ALL GATE HINGE POST & GATE LEAFS HAVE A Ø13 FOR A GATE RESTRAINER TO BE FITTED UPON PURCHASE



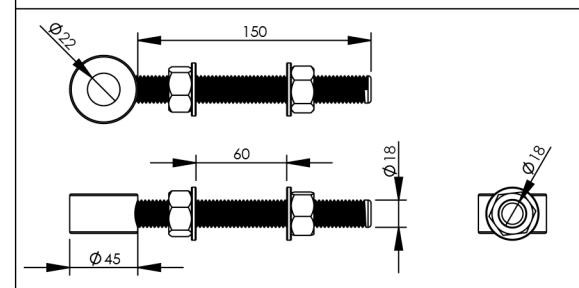
ALL GATES TO COME WITH UNISLIDE SINGLE SLIDER KIT



PART A	PART B
UNI-KIT-0250 Unislide Single Slider Padlockable gate kit	APOL-ACC-0750 Apollo® Single Slider Plate

Other Lock Kits are available on request  
(Click here for more information)

All gates come with 18mm Eye Bolts. Hinge posts are to be fitted with 2 x M18 eye bolts.



REV	DESCRIPTION	DATE

NAME	DATE
W.P	29/05/2025
APVD	
Tolerance	0 - 50mm ± 0.2mm
	> 50 - 500mm ± 1mm
	> 1000mm ± 3mm
Material: Steel	
WEIGHT: N/A	

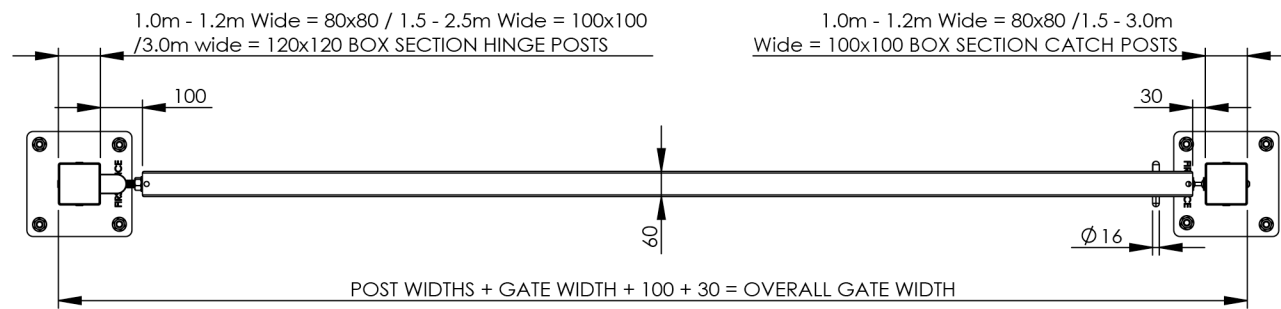
FirstFence®  
HIRE & SALES

SKU: **APOLLO®**

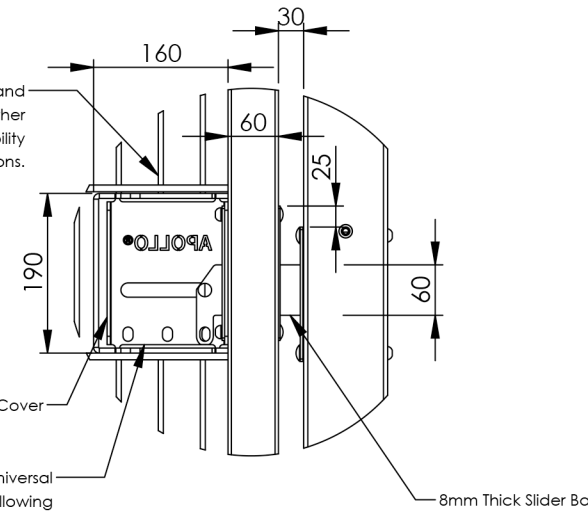
TITLE: APOLLO® 1.8m x 3.0m High - 1.0m x 3.0m WIDE SINGLE LEAF BOLT DOWN GATE KIT RANGE DRAWING

REV: A, A3

SCALE: N/A SHEET 2 OF 2



Thanks to the centrally welded mesh and the ability to mount the lock kit on either side, these kits provide maximum flexibility for various gate configurations.



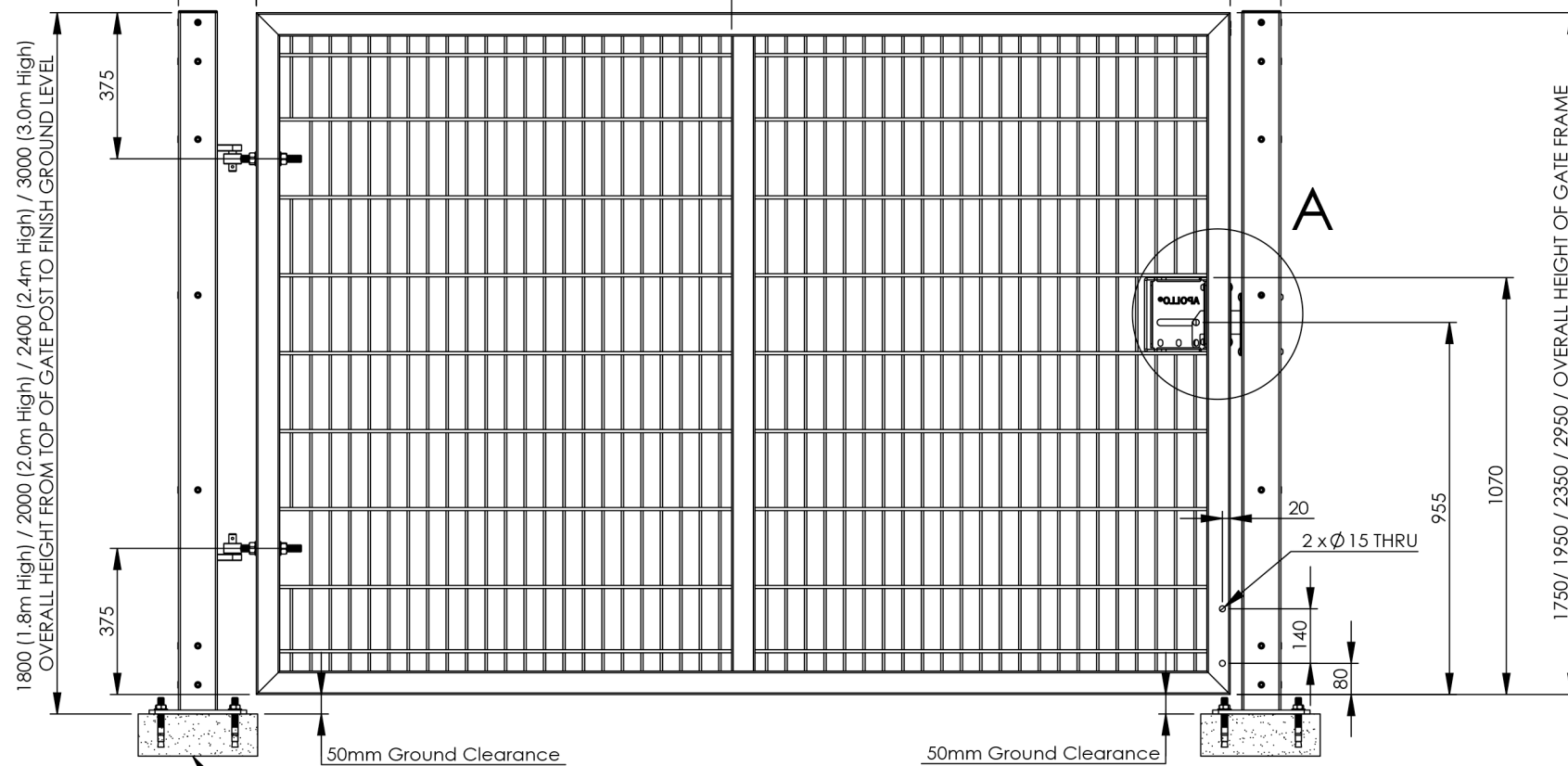
The Apollo Lock Kits offer a universal solution for gate installations, allowing both right-hand and left-hand hanging.

DETAIL A

1290 (1.0m Wide) / 1490 (1.2m Wide) / 1790 (1.5m Wide) / 2330 (2.0m Wide) / 2830 (2.5m Wide) / 3330 (3.0m Wide) OVERALL TOTAL GATE WIDTH

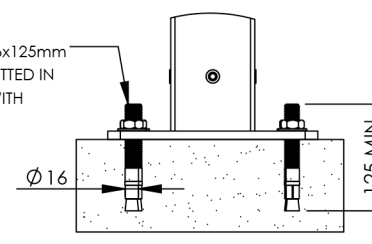
1000 / 1200 / 1500 / 2000 / 2500 / 3000 / OVERALL WIDTH OF GATE LEAF

Support is applicable for gates starting from 2.5m wide, with the required support increasing proportionally with gate width.



C20/25 MINIMUM CONCRETE FOUNDATION GRADE

Min OF 4 NO. M16x125mm ANCHOR BOLTS FITTED IN ACCORDANCE WITH MANUFACTURERS INSTRUCTIONS.



DETAIL B