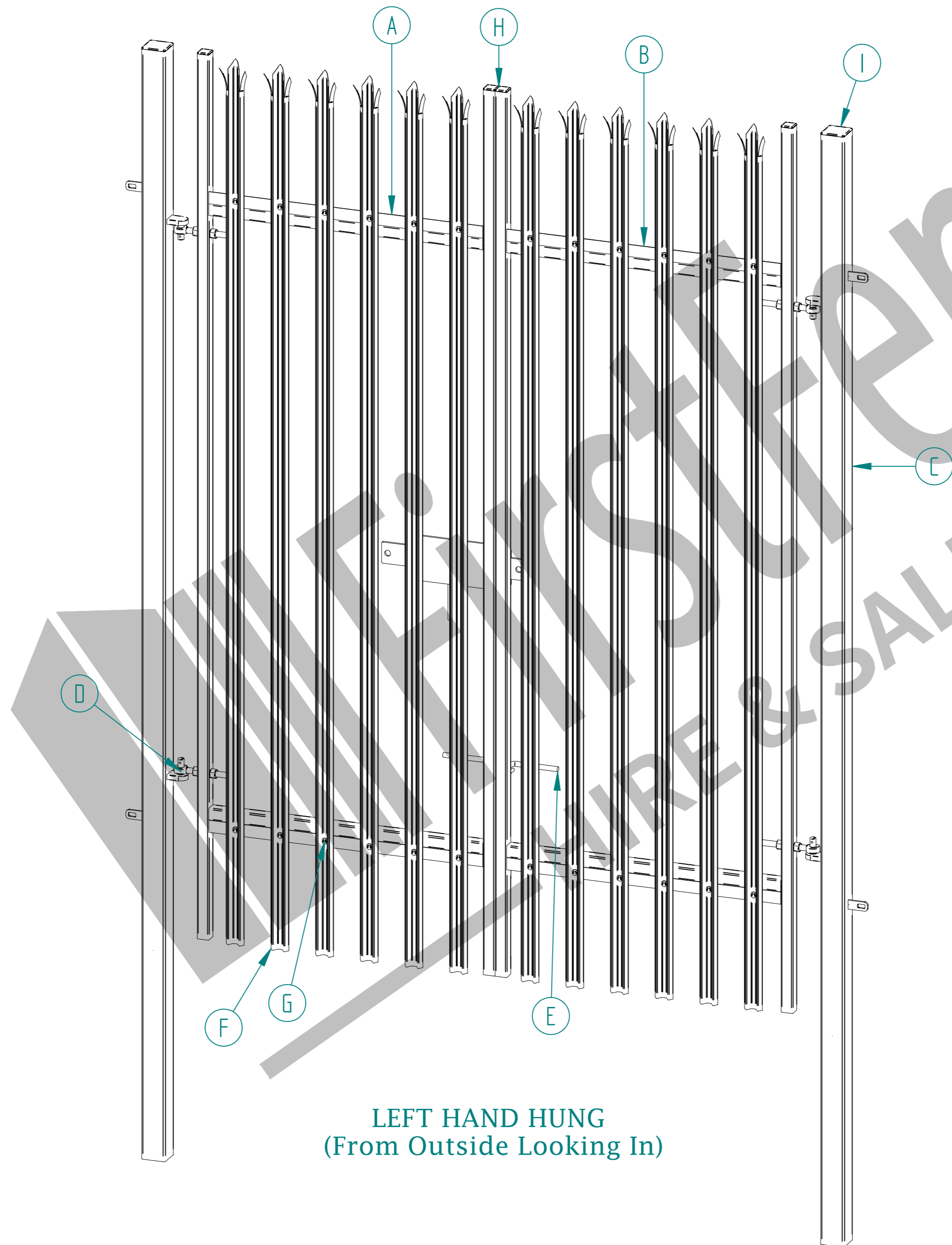
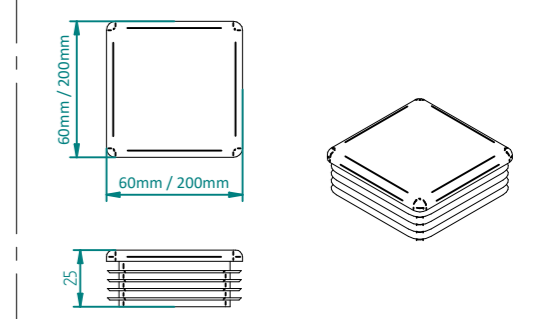


3.0m X 2.0m WIDE DOUBLE LEAF DIG IN PALISADE GATE KIT

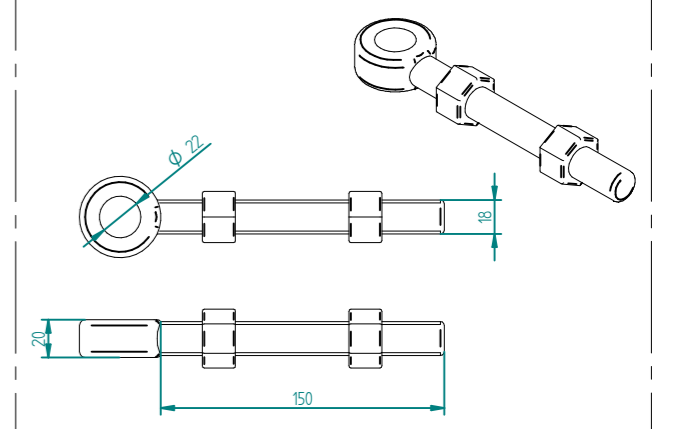


LEFT HAND HUNG
(From Outside Looking In)

ALL GATES & POSTS ARE TO BE FITTED WITH BLACK PLASTIC INSERTS

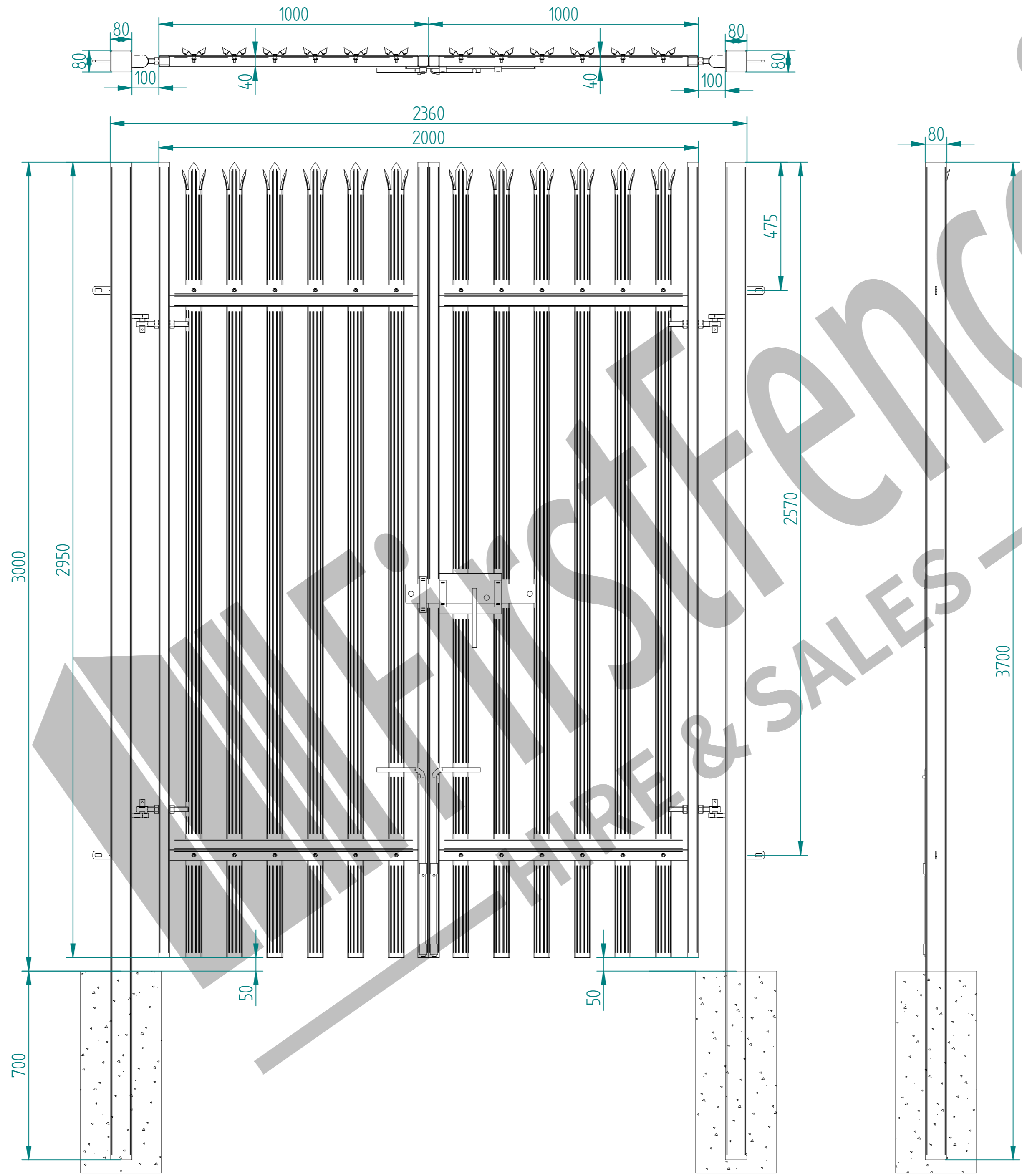


ALL GATES WITH 80x80/100x100/120x120 BOX SECTION HINGE POSTS ARE TO BE FITTED WITH TWO GALVANISED EYE BOLTS



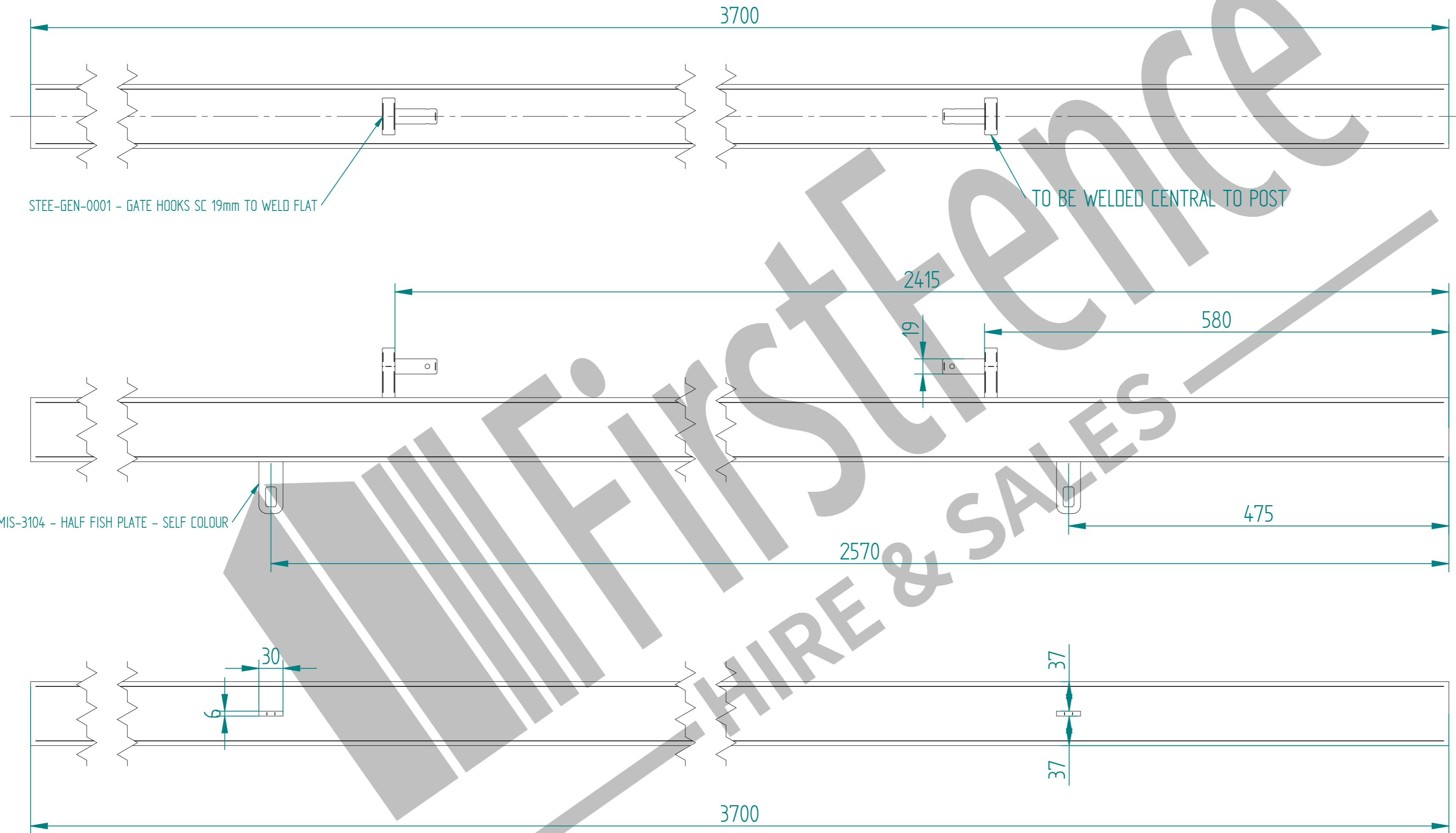
Item	Component Name	Quantity
A	PALI-SLI-3010 - PALISADE GATE SLIDER 3.0m X 1.0m WIDE	1
B	PALI-CAT-3010 - PALISADE GATE CATCH 3.0m X 1.0m WIDE	1
C	PALI-POS-0005 - 3.0m HIGH DIG IN PALISADE HINGE GATE POST 80X80 BOX SECTION	2
D	ACCS-GEN-0001 - ADJUSTABLE GATE EYE BZP 130-150mm CW 20	4
E	ACCS-GEN-0101 - UNIVERSAL GATE DROP BOLT	2
F	TRIPLE POINT PALE / ROUND & NOTCHED / SINGLE POINT. ON REQUEST	12
G	ACCS-PAL-0002 - M8 X 25mm BOLT / ACCS-PAL-0003 - M8 SNAP OFF NUT FOR SECURITY BOLTS	24
H	ACCS-RIB-0001 - 40x40 BLACK RIBBED INSERTS	4
I	ACCS-RIB-0005 - 80x80 BLACK RIBBED INSERTS	2


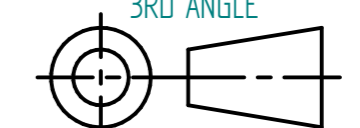
NAME	DATE	TITLE
LT	14/07/21	PALI-KIT-1581 - 3.0m X 2.0m WIDE TRIPLE POINTED DOUBLE LEAF DIG IN PALISADE GATE KIT
TOLERANCE ± 2mm Unless Stated Otherwise		First Fence Ltd, Kiln Way, Swadlincote, Derbyshire, DE11 8EA 01283 512 111 sales@firstfence.co.uk
3RD ANGLE		
		REV A



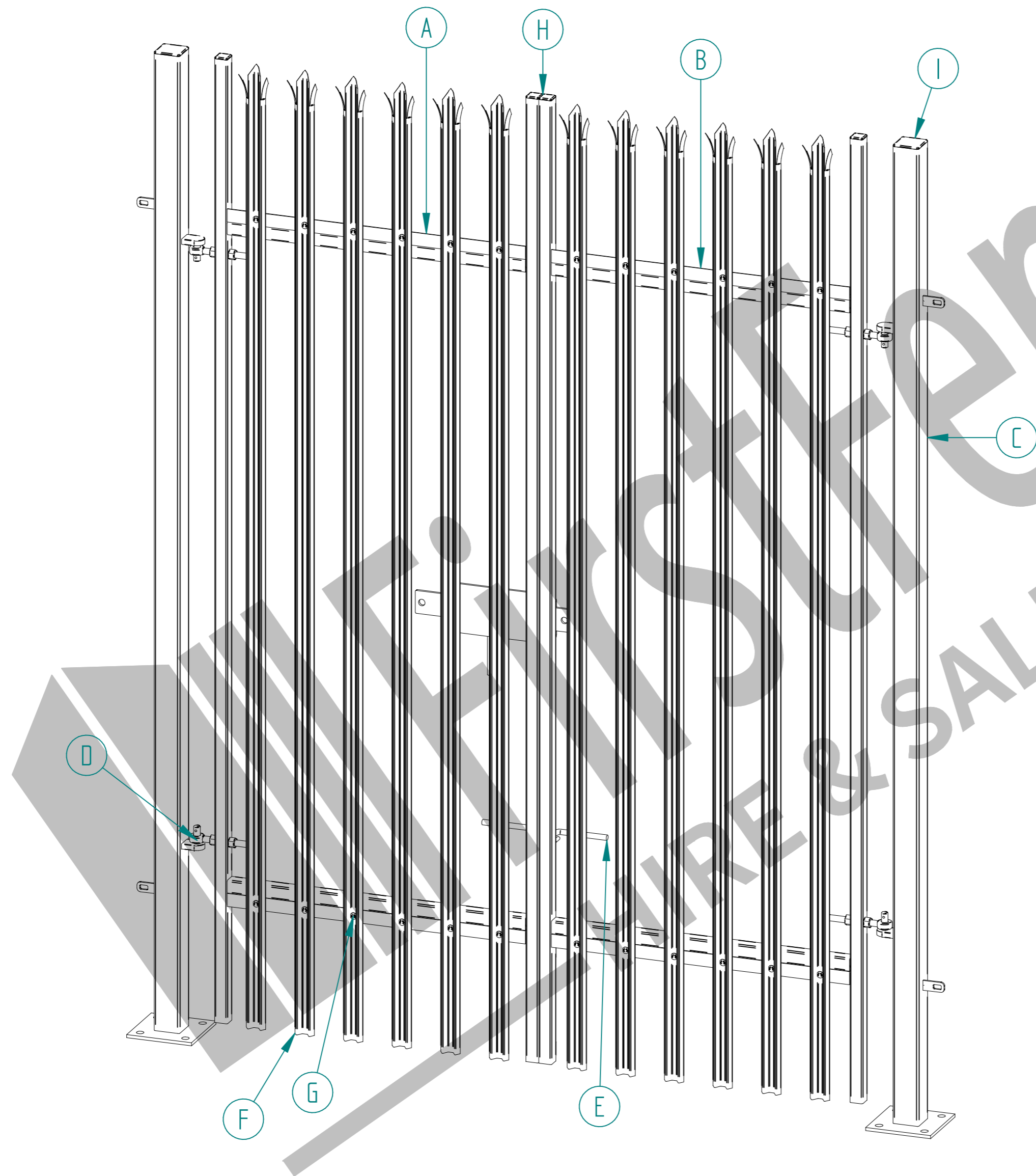
NAME	DATE	TITLE	FirstFence® First Fence Ltd, Kiln Way, Swadlincote, Derbyshire, DE11 8EA 01283 512 111 sales@firstfence.co.uk	REV
LT	14/07/21	PALI-KIT-1581 - 3.0m X 2.0m WIDE TRIPLE POINTED DOUBLE LEAF DIG IN PALISADE GATE KIT		A
TOLERANCE		± 2mm Unless Stated Otherwise	NOTE: SHOULD ANY DISCREPANCIES BE FOUND WITH THIS DRAWING, PLEASE INFORM FIRSTFENCE COPYRIGHT OF THIS DRAWING IS OWNED BY FIRSTFENCE LIMITED.	WEIGHT: 135.9 kg
3RD ANGLE			SIZE A2	SHEET 2 OF 6

3.0m HIGH DIG IN PALISADE HINGE GATE POST 80X80 BOX SECTION



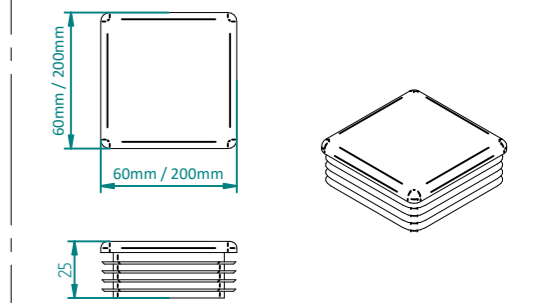
	NAME	DATE	TITLE
DRAWN	LT	14/07/21	PALI-POS-0005 -3.0m HIGH DIG IN PALISADE HINGE GATE POST 80X80 BOX SECTION
TOLERANCE	± 2mm Unless Stated Otherwise		 First Fence Ltd, Kiln Way, Swadlincote, Derbyshire, DE11 8EA 01283 512 111 sales@firstfence.co.uk
 3RD ANGLE			NOTE: SHOULD ANY DISCREPANCIES BE FOUND WITH THIS DRAWING, PLEASE INFORM FIRSTFENCE. COPYRIGHT OF THIS DRAWING IS OWNED BY FIRSTFENCE LIMITED.
SIZE A2			REV A
WEIGHT: 27.1 kg			SHEET 3 OF 6

3.0m X 2.0m WIDE DOUBLE LEAF BOLT DOWN PALISADE GATE KIT

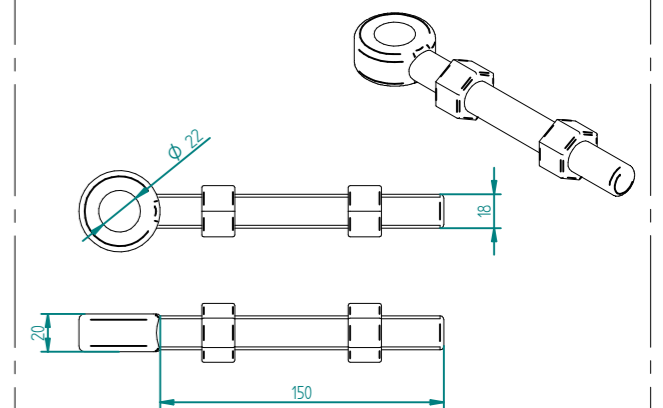


LEFT HAND HUNG
(From Outside Looking In)

ALL GATES & POSTS ARE TO BE FITTED WITH BLACK PLASTIC INSERTS

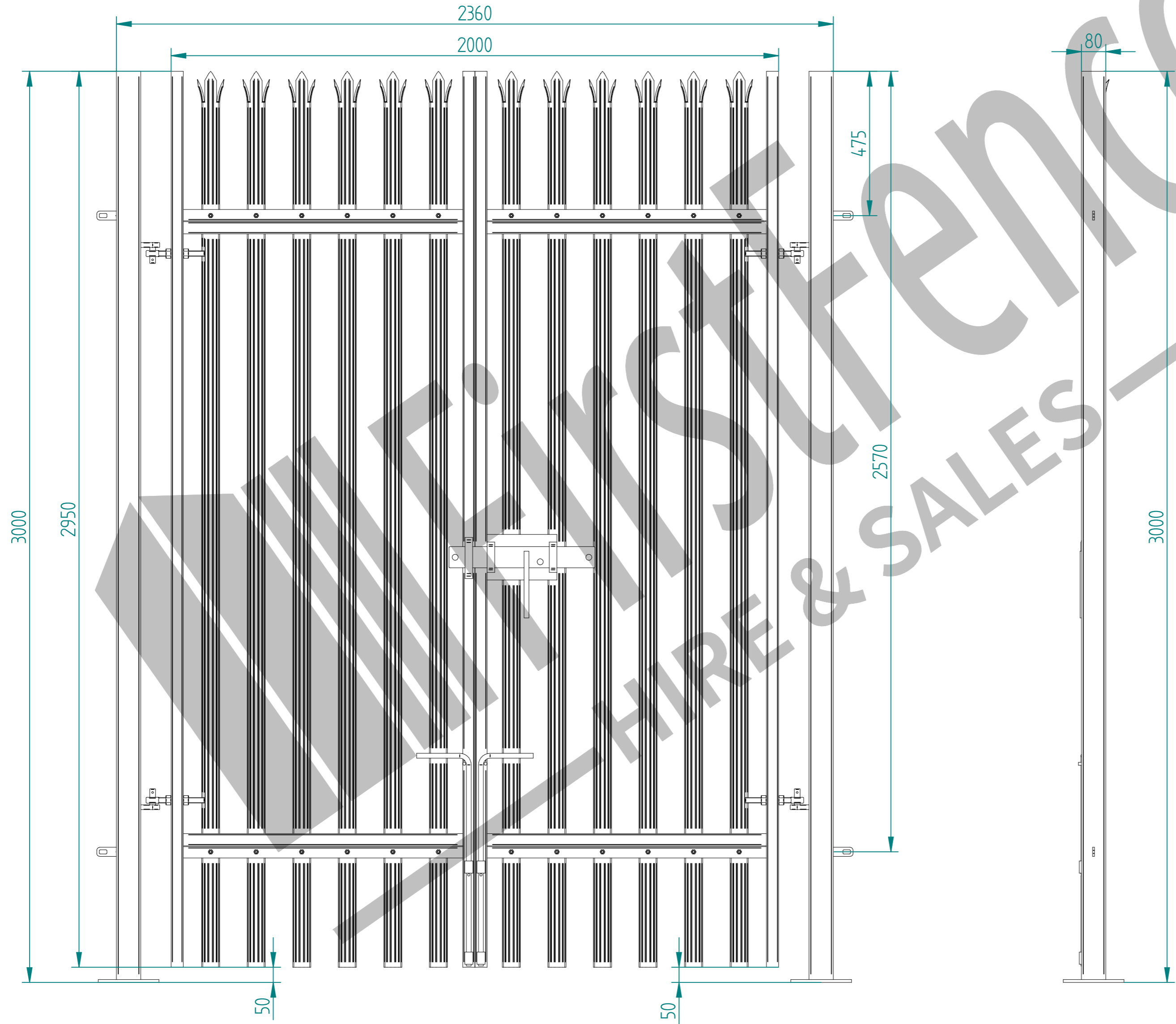
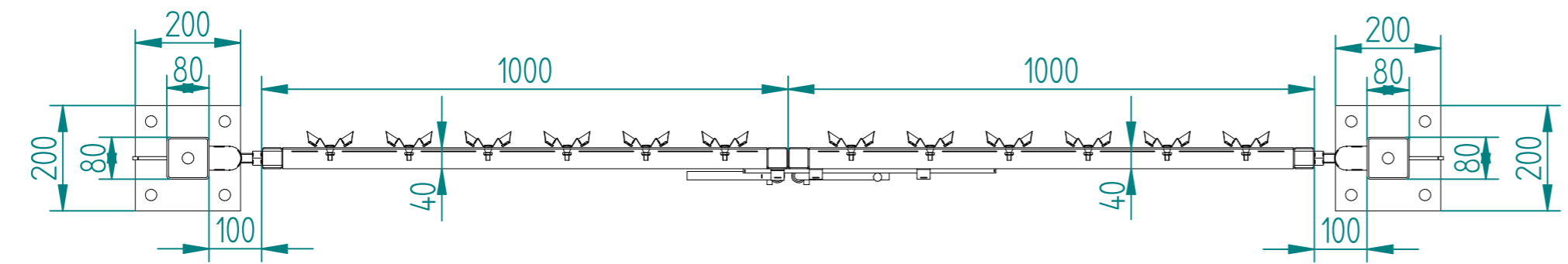


ALL GATES WITH 80x80/100x100/120x120 BOX SECTION HINGE POSTS ARE TO BE FITTED WITH TWO GALVANISED EYE BOLTS



Item	Component Name	Quantity
A	PALI-SLI-3010 - PALISADE GATE SLIDER 3.0m X 1.0m WIDE	1
B	PALI-CAT-3010 - PALISADE GATE CATCH 3.0m X 1.0m WIDE	1
C	PALI-POS-1005 - 3.0m HIGH BOLT DOWN PALISADE HINGE GATE POST 80X80 BOX SECTION	2
D	ACCS-GEN-0001 - ADJUSTABLE GATE EYE BZP 130-150mm CW 20	4
E	ACCS-GEN-0101 - UNIVERSAL GATE DROP BOLT	2
F	TRIPLE POINT PALE / ROUND & NOTCHED / SINGLE POINT. ON REQUEST	12
G	ACCS-PAL-0002 - M8 X 25mm BOLT / ACCS-PAL-0003 - M8 SNAP OFF NUT FOR SECURITY BOLTS	24
H	ACCS-RIB-0001 - 40x40 BLACK RIBBED INSERTS	4
I	ACCS-RIB-0005 - 80x80 BLACK RIBBED INSERTS	2



NAME	DATE	TITLE
LT	14/07/21	PALI-KIT-2581 - 3.0m X 2.0m WIDE TRIPLE POINTED DOUBLE LEAF BOLT DOWN PALISADE GATE KIT
TOLERANCE ± 2mm Unless Stated Otherwise		First Fence Ltd, Kiln Way, Swadlincote, Derbyshire, DE11 8EA 01283 512 111 sales@firstfence.co.uk
3RD ANGLE		
SIZE A2	NOTE: SHOULD ANY DISCREPANCIES BE FOUND WITH THIS DRAWING, PLEASE INFORM FIRSTFENCE. COPYRIGHT OF THIS DRAWING IS OWNED BY FIRSTFENCE LIMITED.	REV A
WEIGHT: 131.7 kg		SHEET 4 OF 6



	NAME	DATE	TITLE	FirstFence <small>First Fence Ltd, Kiln Way, Swadincote, Derbyshire, DE11 8EA 01283 512 111 sales@firstfence.co.uk</small>	REV A
DRAWN	LT	14/07/21	PALI-KIT-2581 - 3.0m X 2.0m WIDE TRIPLE POINTED DOUBLE LEAF BOLT DOWN PALISADE GATE KIT		
TOLERANCE	± 2mm Unless Stated Otherwise				
3RD ANGLE			SIZE A2	NOTE: SHOULD ANY DISCREPANCIES BE FOUND WITH THIS DRAWING, PLEASE INFORM FIRSTFENCE COPYRIGHT OF THIS DRAWING IS OWNED BY FIRSTFENCE LIMITED.	WEIGHT: 131.7 kg

3.0m HIGH BOLT DOWN PALISADE HINGE GATE POST 80X80 BOX SECTION



NAME	DATE	TITLE
LT	14/07/21	PALI-POS-1005-3.0m HIGH BOLT DOWN PALISADE HINGE GATE POST 80X80 BOX SECTION
TOLERANCE	± 2mm Unless Stated Otherwise	 First Fence Ltd, Kiln Way, Swadlincote, Derbyshire, DE11 8EA 01283 512 111 sales@firstfence.co.uk
 3RD ANGLE	NOTE: SHOULD ANY DISCREPANCIES BE FOUND WITH THIS DRAWING, PLEASE INFORM FIRST FENCE. COPYRIGHT OF THIS DRAWING IS OWNED BY FIRST FENCE LIMITED.	REV A
WEIGHT: 25.0 kg		SHEET 6 OF 6