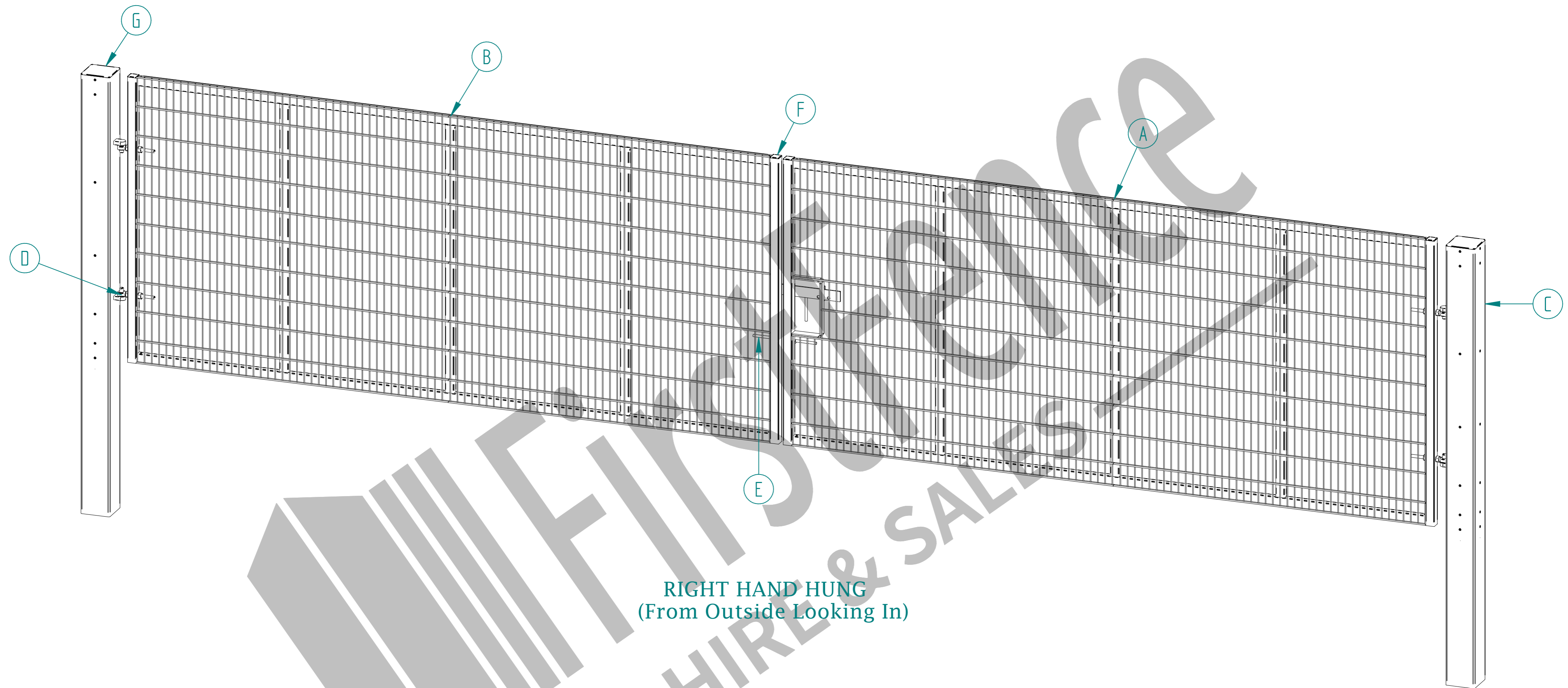
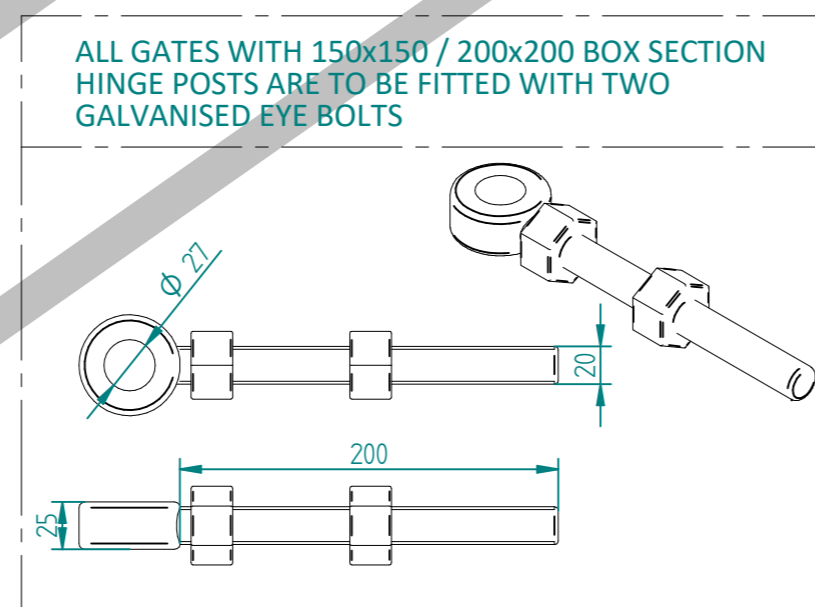
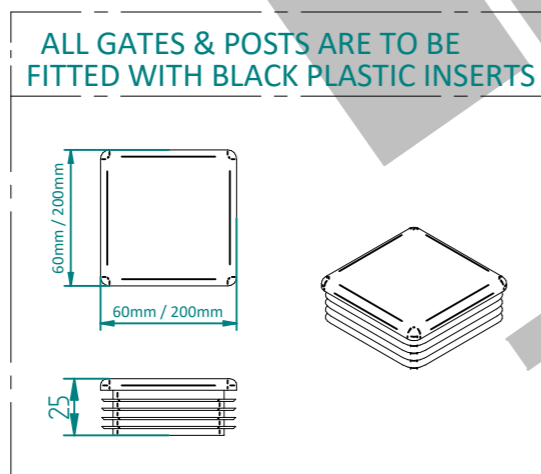


# 2.0m X 9.0m WIDE DOUBLE LEAF DIG IN 868 MESH GATE KIT

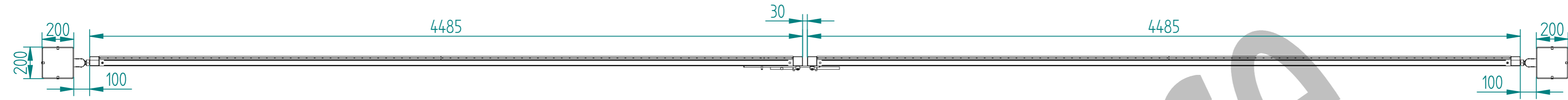


RIGHT HAND HUNG  
(From Outside Looking In)



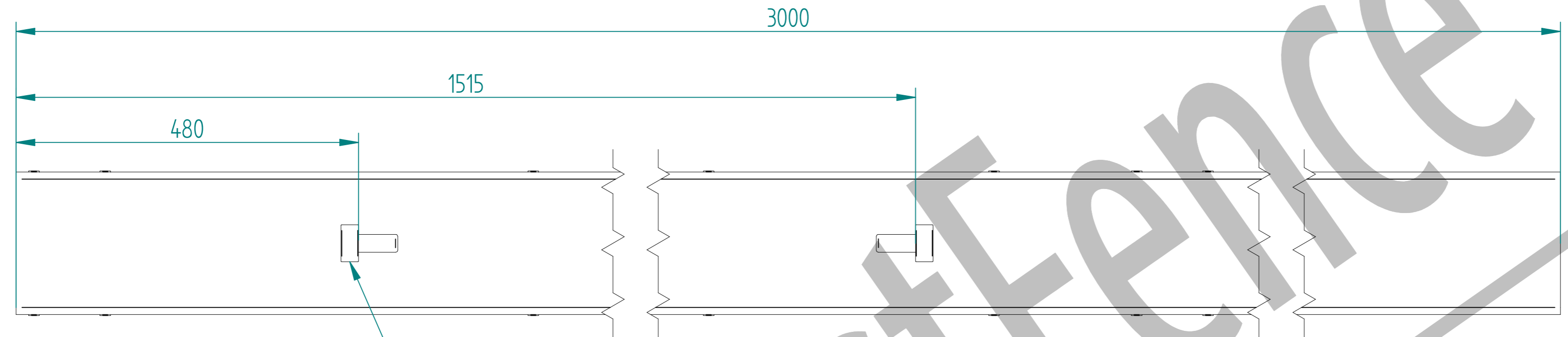
Item	Component Name	Quantity
A	MESH-SLI-2082 - 868 MESH GATE SLIDER 2.0m X 4.5m WIDE	1
B	MESH-CAT-2082 - 868 MESH GATE CATCH 2.0m X 4.5m WIDE	1
C	MESH-HIN-2062 - 2.0m HIGH DIG IN MESH HINGE GATE POST 200X200 BOX SECTION	2
D	ACCES-GEN-0002 - ADJUSTABLE GATE EYE G 200mm cw 25mm	4
E	ACCES-GEN-0101 - UNIVERSAL GATE DROP BOLT	2
F	ACCES-RIB-0003 - 60x60 BLACK RIBBED INSERTS	4
G	ACCES-RIB-0008 - 200x200 BLACK RIBBED INSERTS	2

DRAWN	NAME	DATE	TITLE
	LT	03/03/22	MESH-KIT-6714 - 2.0m X 9.0m WIDE DOUBLE LEAF DIG IN 868 MESH GATE KIT
TOLERANCE	± 2mm Unless Stated Otherwise		First Fence Ltd, Kiln Way, Swadincote, Derbyshire, DE11 8EA 01283 512 111 sales@firstfence.co.uk
	3RD ANGLE		
SIZE	A2		REV A
WEIGHT: 460.1 kg			SHEET 1 OF 6

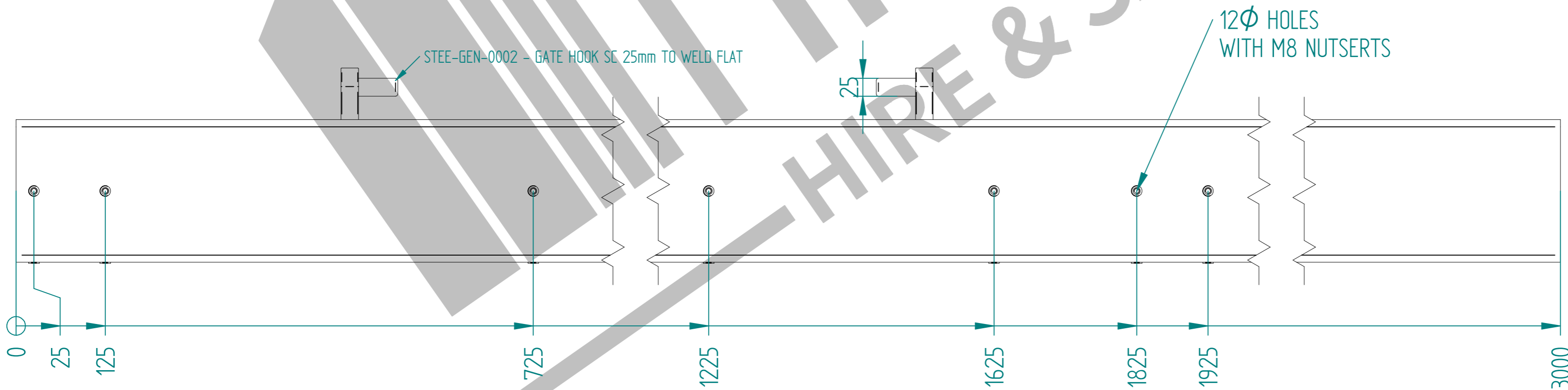


	NAME	DATE	TITLE
DRAWN	LT	03/03/22	MESH-KIT-6714 - 2.0m X 9.0m WIDE DOUBLE LEAF DIG IN 868 MESH GATE KIT
TOLERANCE	± 2mm Unless Stated Otherwise		First Fence Ltd, Kiln Way, Swadincote, Derbyshire, DE11 8EA 01283 512 111 sales@firstfence.co.uk
3RD ANGLE			
SIZE	A2		REV A
WEIGHT: 460.1 kg			SHEET 2 OF 6

# 2.0m HIGH DIG IN MESH HINGE GATE POST 200X200 BOX SECTION (AL 3000mm)

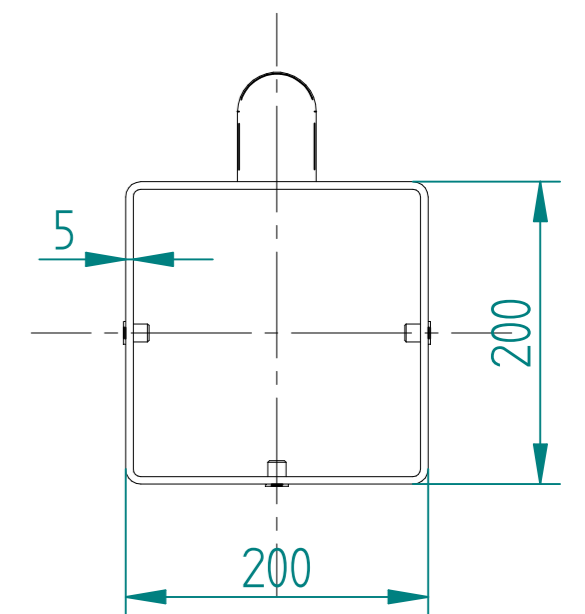


TO BE WELDED CENTRAL TO POST



STEE-GEN-0002 - GATE HOOK SC 25mm TO WELD FLAT

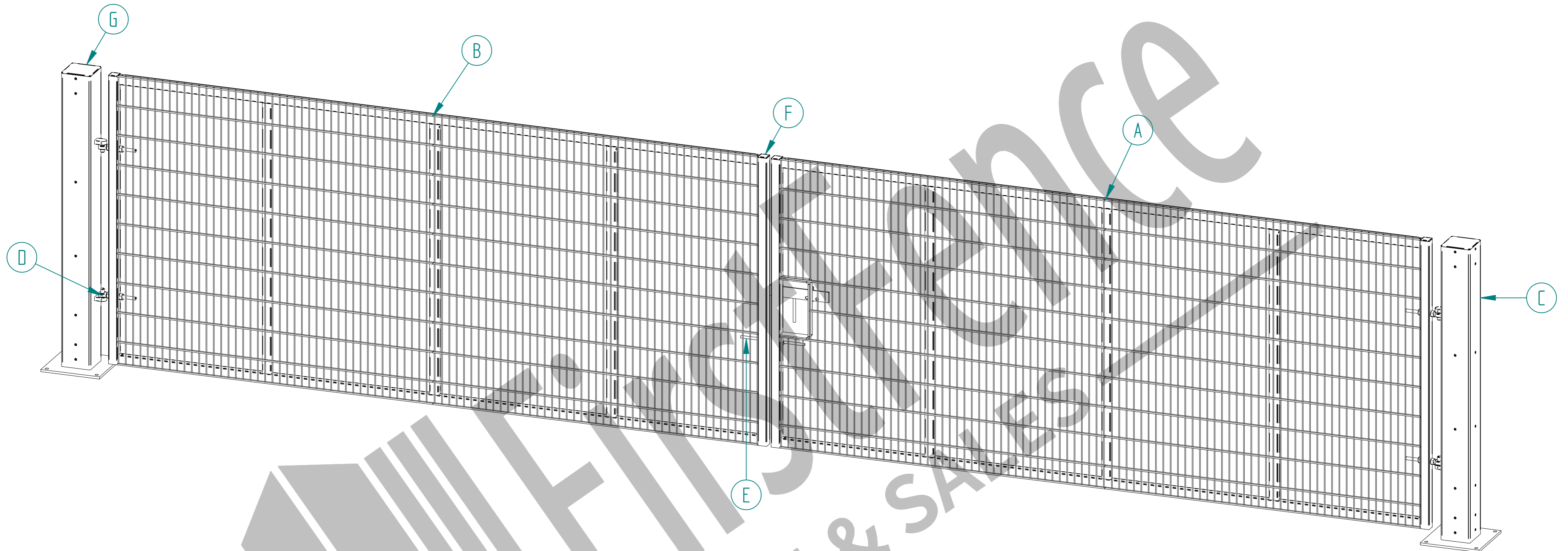
12 $\phi$  HOLES WITH M8 NUTSERTS



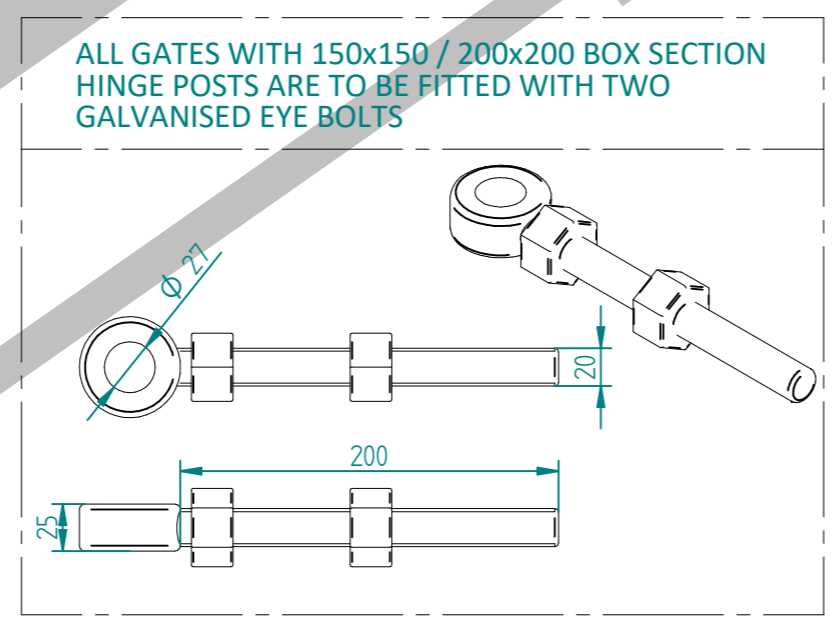
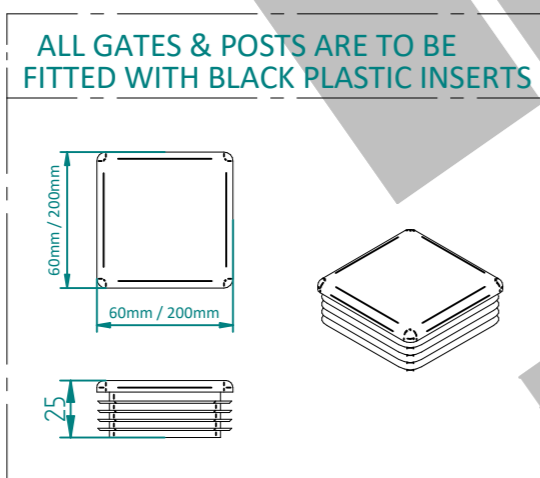
	NAME	DATE	TITLE
DRAWN	LT	03/03/22	MESH-HIN-2062 - 2.0m HIGH DIG IN MESH HINGE GATE POST 200X200 BOX SECTION
TOLERANCE	± 2mm Unless Stated Otherwise		First Fence Ltd, Kiln Way, Swadlincote, Derbyshire, DE11 8EA 01283 512 111 sales@firstfence.co.uk
3RD ANGLE			NOTE: SHOULD ANY DISCREPANCIES BE FOUND WITH THIS DRAWING, PLEASE INFORM FIRST FENCE. COPYRIGHT OF THIS DRAWING IS OWNED BY FIRST FENCE LIMITED.
SIZE	A2		REV A
WEIGHT: 92.0 kg			SHEET 3 OF 6



# 2.0m X 9.0m WIDE DOUBLE LEAF BOLT DOWN 868 MESH GATE KIT

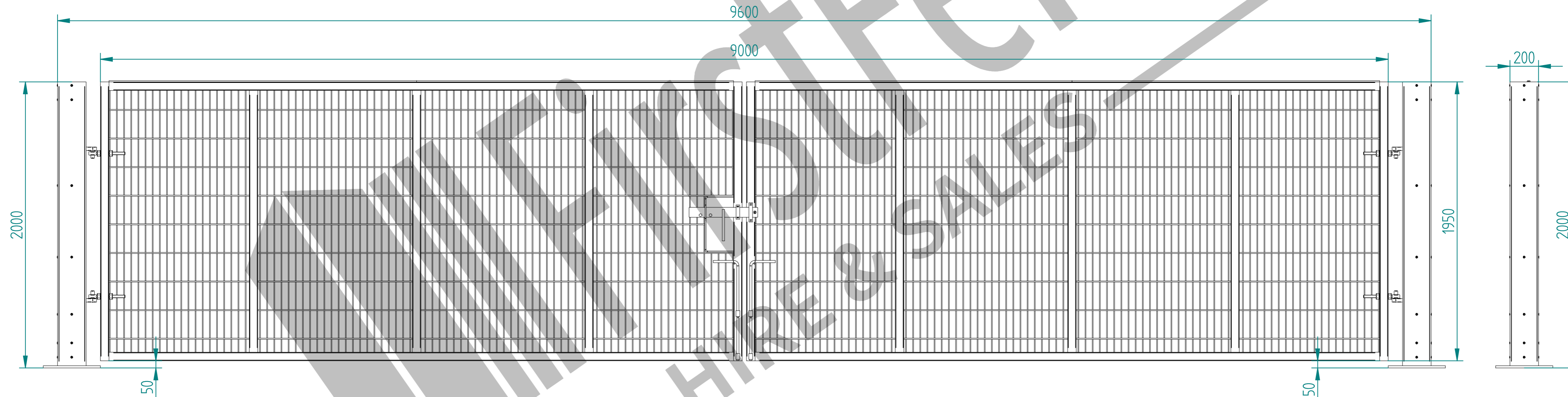
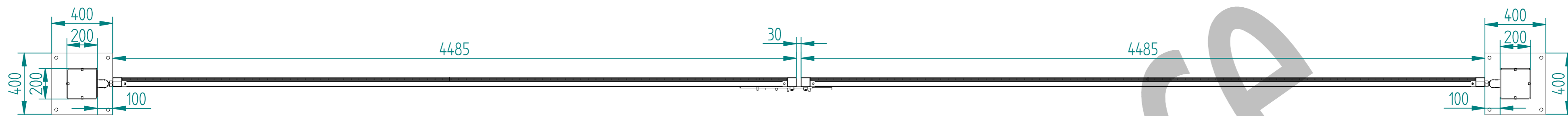




RIGHT HAND HUNG  
(From Outside Looking In)



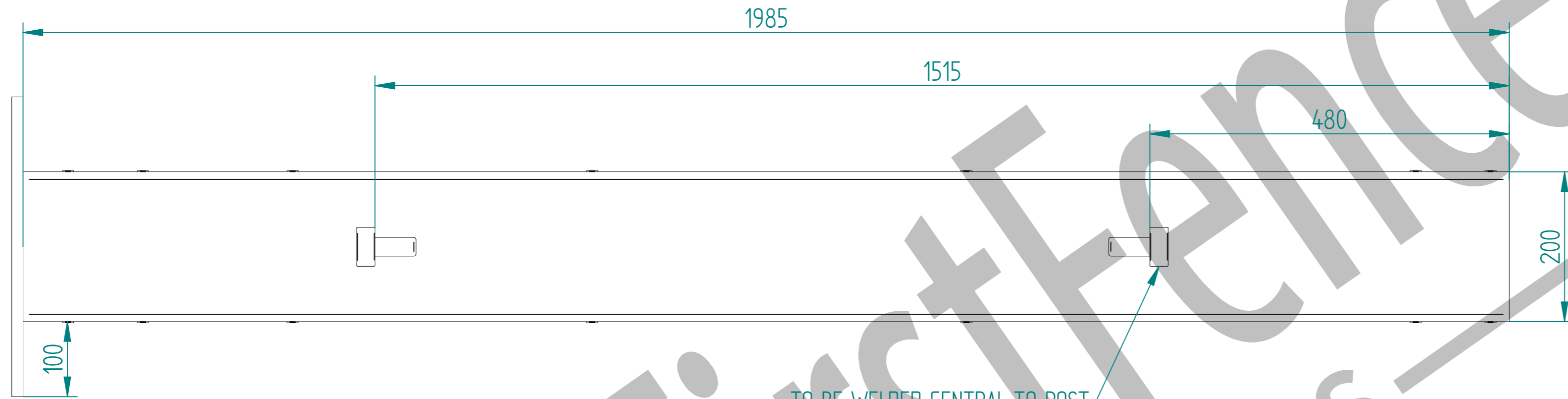
Item	Component Name	Quantity
A	MESH-SLI-2082 - 868 MESH GATE SLIDER 2.0m X 4.5m WIDE	1
B	MESH-CAT-2082 - 868 MESH GATE CATCH 2.0m X 4.5m WIDE	1
C	MESH-HIN-2072 - 2.0m HIGH BOLT DOWN MESH HINGE GATE POST 200X200 BOX SECTION	2
D	ACCS-GEN-0002 - ADJUSTABLE GATE EYE G 200mm cw 25mm	4
E	ACCS-GEN-0101 - UNIVERSAL GATE DROP BOLT	2
F	ACCS-RIB-0003 - 60x60 BLACK RIBBED INSERTS	4
G	ACCS-RIB-0008 - 200x200 BLACK RIBBED INSERTS	2

NAME	DATE	TITLE
LT	03/03/22	MESH-KIT-6715 - 2.0m X 9.0m WIDE DOUBLE LEAF BOLT DOWN 868 MESH GATE KIT
TOLERANCE	± 2mm Unless Stated Otherwise	
3RD ANGLE		
SIZE	NOTE: SHOULD ANY DISCREPANCIES BE FOUND WITH THIS DRAWING, PLEASE INFORM FIRSTFENCE. COPYRIGHT OF THIS DRAWING IS OWNED BY FIRSTFENCE LIMITED.	REV
A2		A
WEIGHT: 436.3 kg		SHEET 4 OF 6

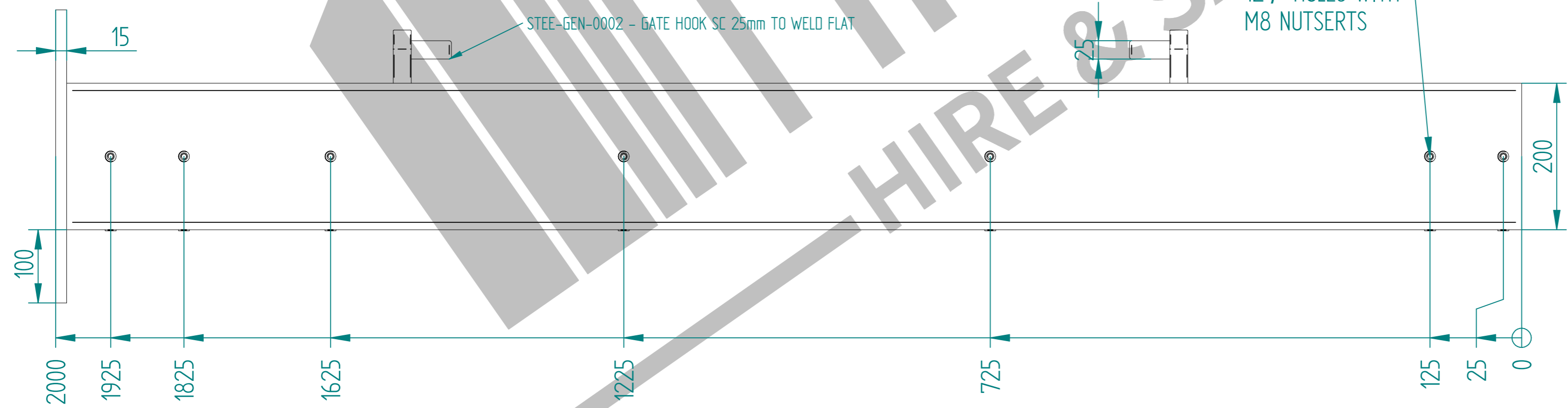


	NAME	DATE	TITLE
DRAWN	LT	03/03/22	MESH-KIT-6715 - 2.0m X 9.0m WIDE DOUBLE LEAF BOLT DOWN 868 MESH GATE KIT
TOLERANCE	± 2mm Unless Stated Otherwise		 First Fence Ltd, Kiln Way, Swadincote, Derbyshire, DE11 8EA 01283 512 111 sales@firstfence.co.uk
 3RD ANGLE			
SIZE A2			REV A
WEIGHT: 436.3 kg			SHEET 5 OF 6

# 2.0m HIGH BOLT DOWN MESH HINGE GATE POST 200X200 BOX SECTION

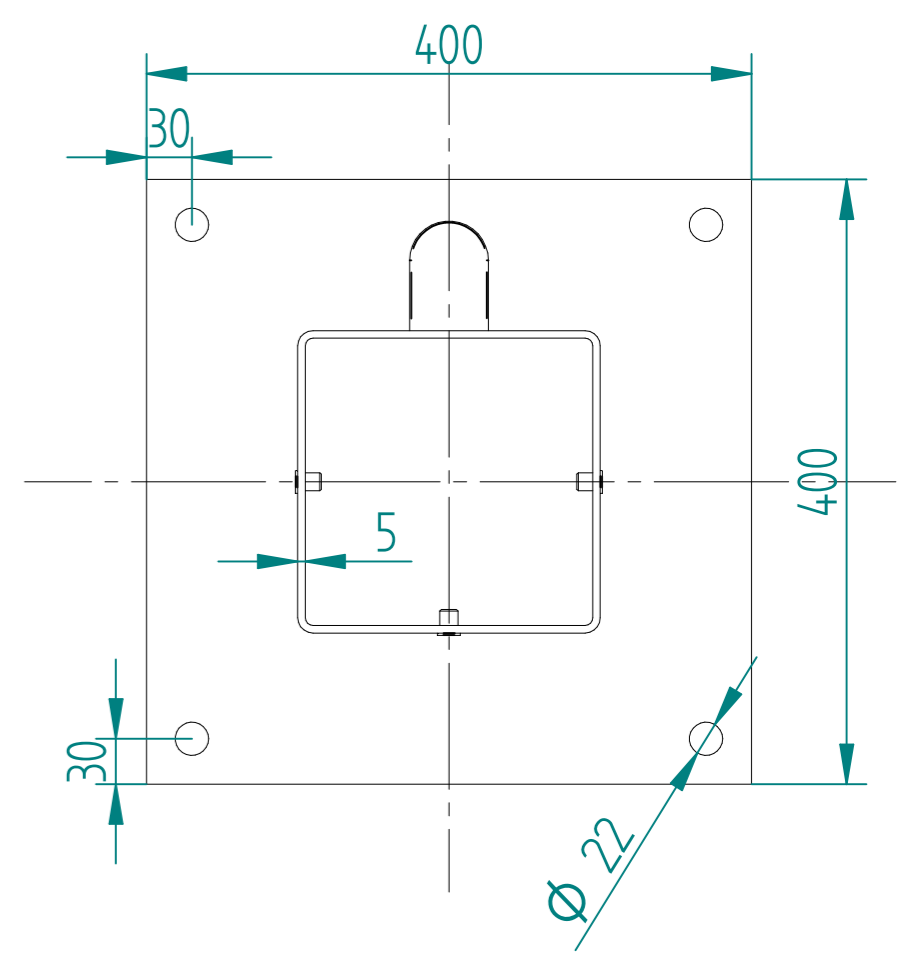


TO BE WELDED CENTRAL TO POST



STEE-GEN-0002 - GATE HOOK SC 25mm TO WELD FLAT

12Ø HOLES WITH M8 NUTSERTS



	NAME	DATE	TITLE
DRAWN	LT	03/03/22	MESH-HIN-2072 - 2.0m HIGH BOLT DOWN MESH HINGE GATE POST 200X200 BOX SECTION
TOLERANCE	± 2mm Unless Stated Otherwise		First Fence Ltd, Kiln Way, Swadlincote, Derbyshire, DE11 8EA 01283 512 111 sales@firstfence.co.uk
3RD ANGLE			NOTE: SHOULD ANY DISCREPANCIES BE FOUND WITH THIS DRAWING, PLEASE INFORM FIRSTFENCE. COPYRIGHT OF THIS DRAWING IS OWNED BY FIRSTFENCE LIMITED. SIZE A2 WEIGHT: 80.1 kg
			REV A
			SHEET 6 OF 6