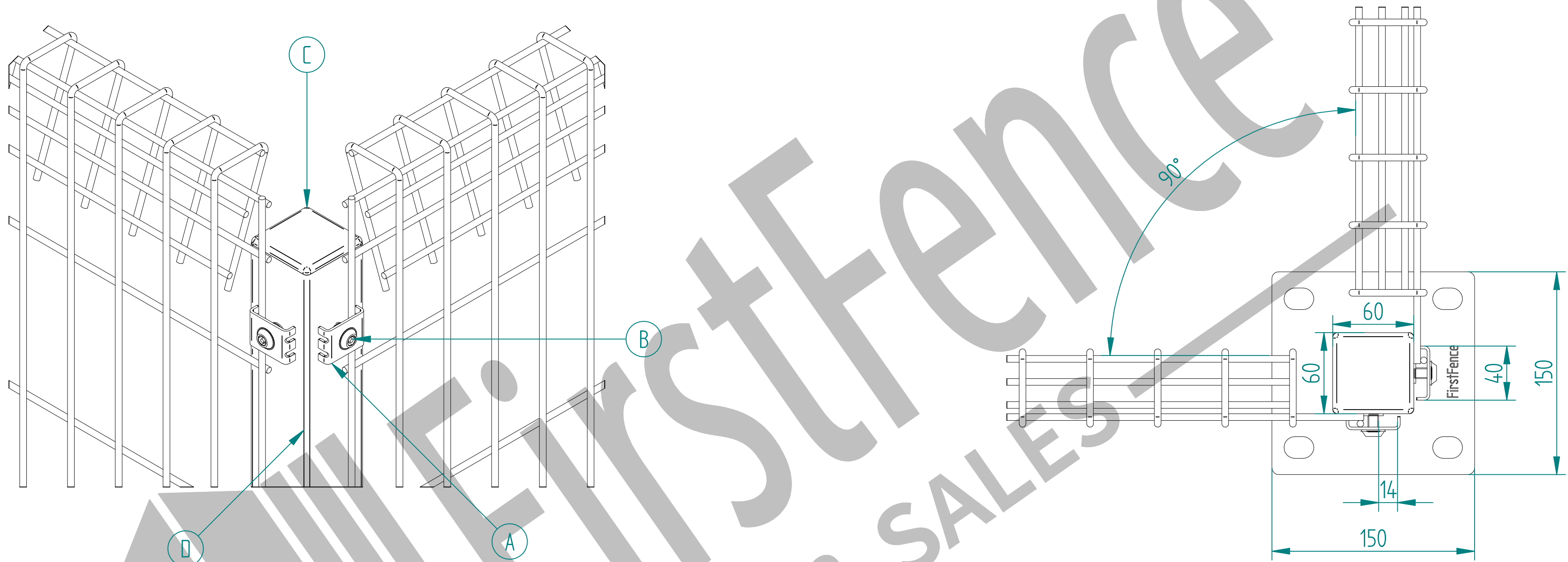


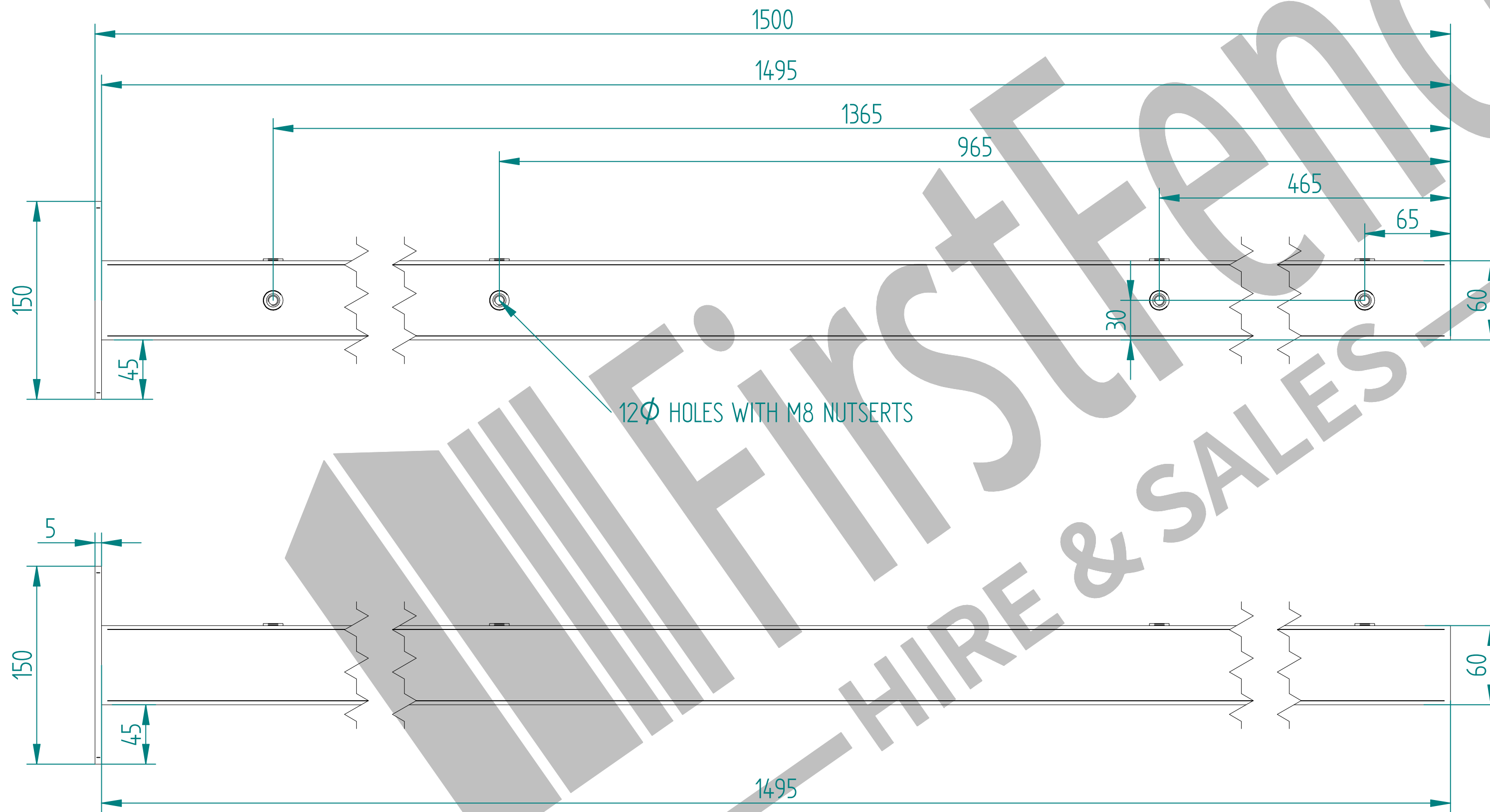
# 1.5m HIGH BOLT DOWN 60x60 CORNER POST KIT (SAFE TOP MESH)



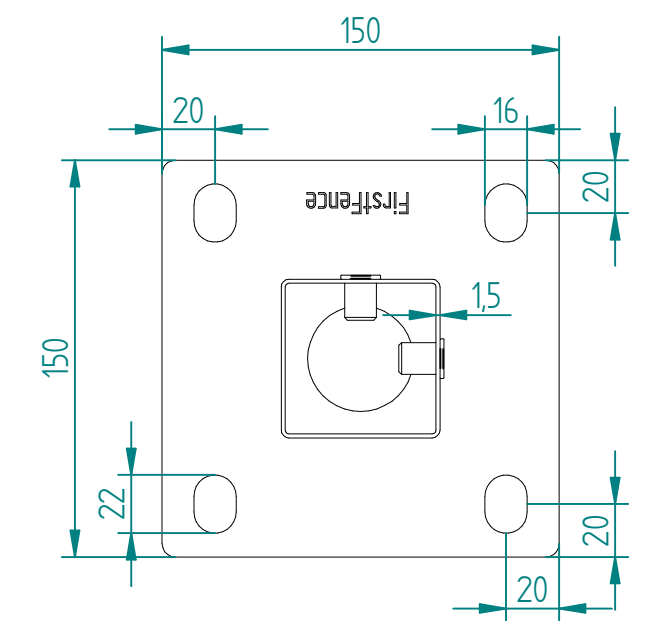
| Item | Component Name   | Quantity |
|------|--|----------|
| A    | ACCES-MSH-0001 - UNIVERSAL MESH FENCING BLACK FIXING CLIPS | 8        |
| B    | ACCES-MSH-0050 - M8 x 40mm MESH SECURITY BOLT              | 8        |
| C    | ACCES-RIB-0003 - 60x60 BLACK RIBBED INSERTS                | 1        |
| D    | MESH-POS-9122 - 1.5m HIGH BOLT DOWN 60X60 CORNER POST      | 1        |


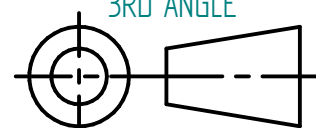
| NAME                                    | DATE        | TITLE  |
|---|-------------|--|
| LT                                      | 20/08/20    | MESH-KIT-9122 - 1.5m HIGH BOLT DOWN 60X60 CORNER POST KIT (SAFE TOP MESH)  |
| TOLERANCE ± 2mm Unless Stated Otherwise |             | First Fence®<br>First Fence Ltd, Kiln Way, Swadlincote, Derbyshire, DE11 8EA<br>01283 512 111 sales@firstfence.co.uk                             |
| 3RD ANGLE                               |             | NOTE: SHOULD ANY DISCREPANCIES BE FOUND WITH THIS DRAWING, PLEASE INFORM FIRST FENCE. COPYRIGHT OF THIS DRAWING IS OWNED BY FIRST FENCE LIMITED. |
| SIZE A2                                 | WEIGHT: N/A | REV A  |

# 1.5m HIGH BOLT DOWN 60X60 CORNER POST



12 $\phi$  HOLES WITH M8 NUTSERTS



|   |                                  |          |  |
|---|----------------------------------|----------|--|
|   | NAME                             | DATE     | TITLE  |
| DRAWN   | LT                               | 20/08/20 | 1.5m HIGH BOLT DOWN 60X60 CORNER POST  |
| TOLERANCE   | ± 2mm<br>Unless Stated Otherwise |          |  First Fence Ltd, Kiln Way, Swadlincote, Derbyshire, DE11 8EA<br>01283 512 111 sales@firstfence.co.uk |
|  3RD ANGLE |                                  |          | NOTE: SHOULD ANY DISCREPANCIES BE FOUND WITH THIS DRAWING, PLEASE INFORM FIRSTFENCE. COPYRIGHT OF THIS DRAWING IS OWNED BY FIRSTFENCE LIMITED.   |
| SIZE A2   |                                  |          | REV A  |
| WEIGHT: 4.9 kg  |                                  |          | SHEET 2 OF 2   |