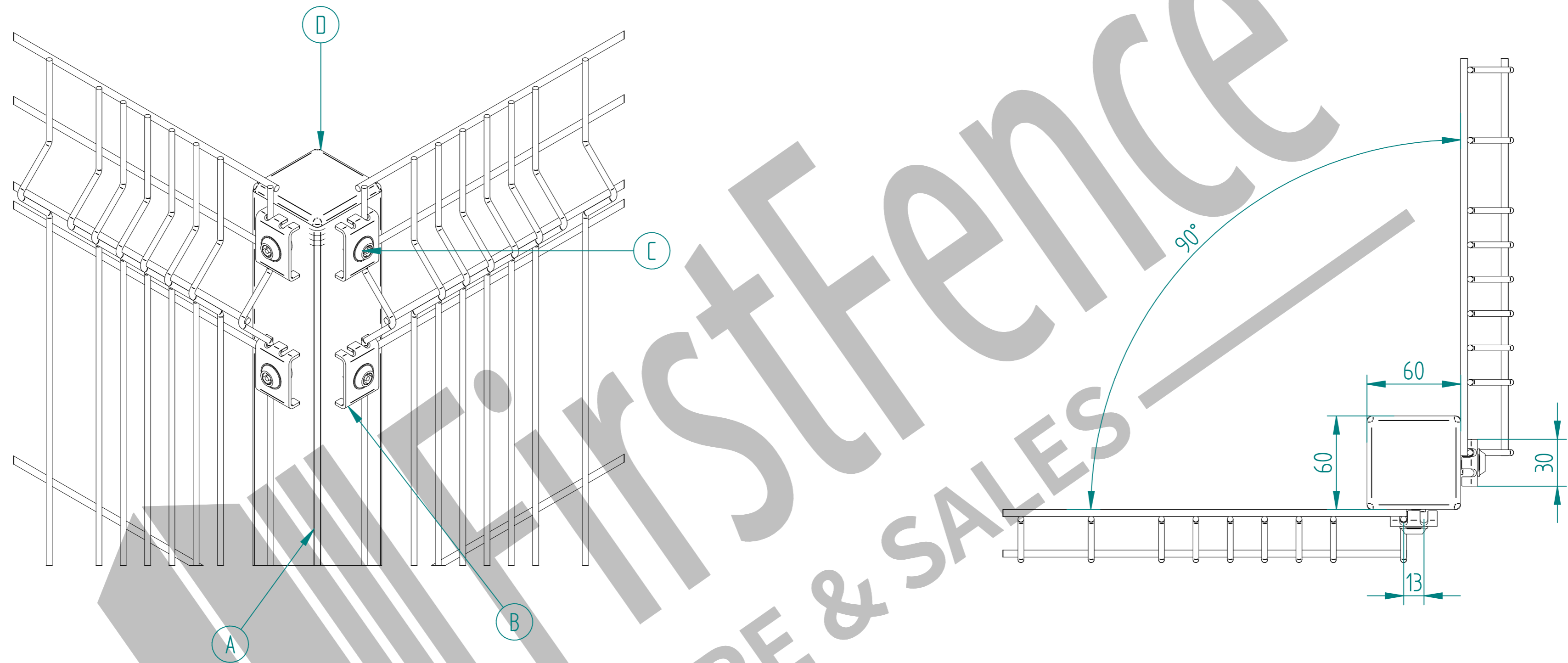

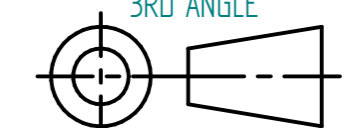


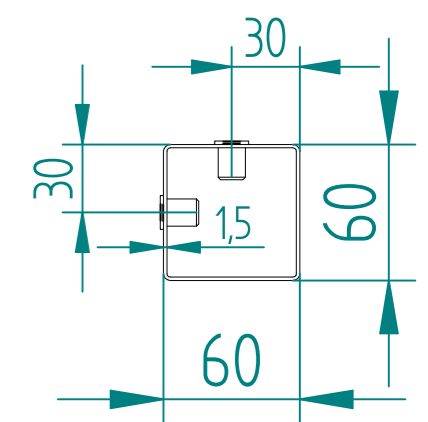
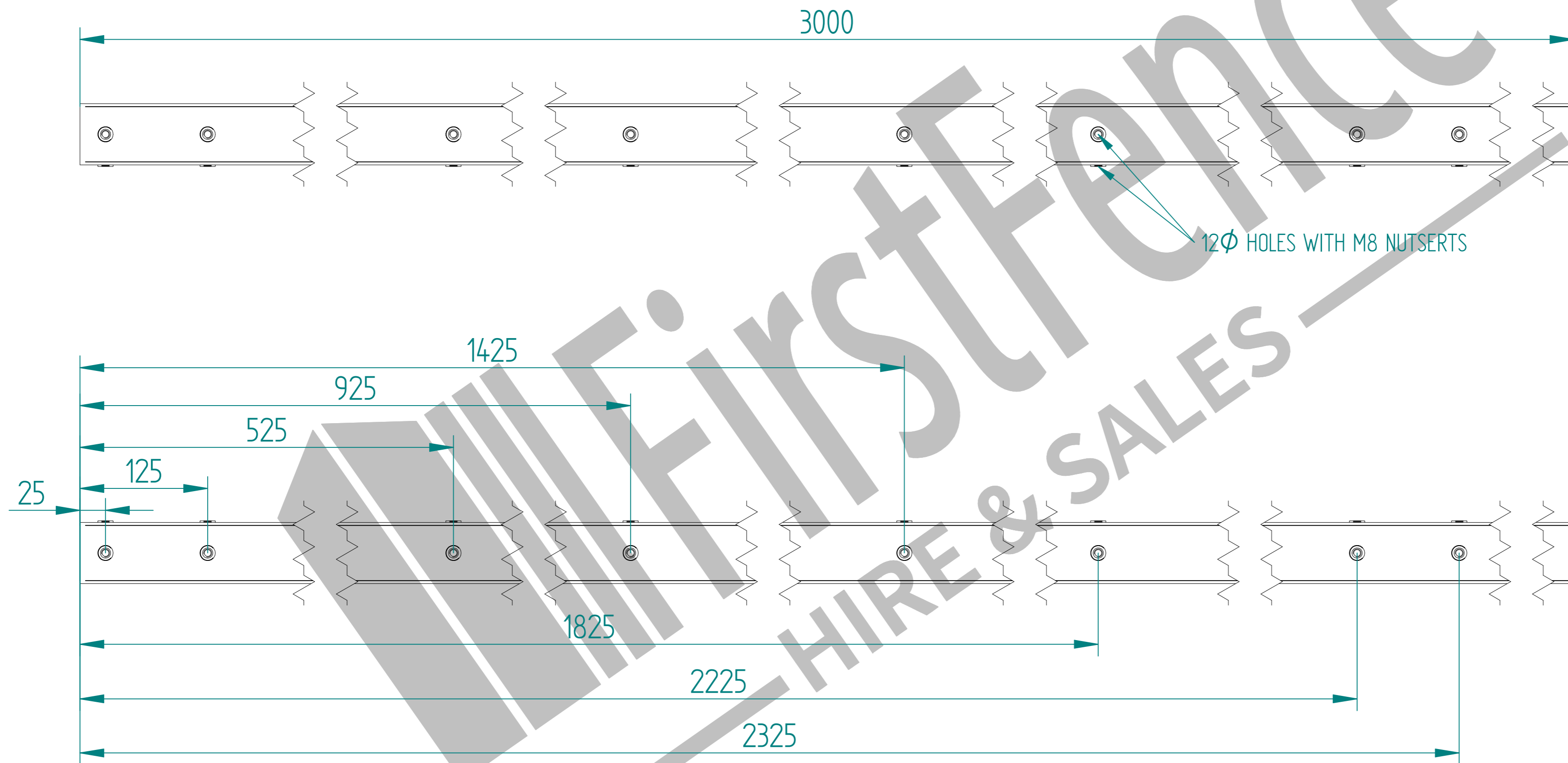
2.4m HIGH DIG IN 60X60 CORNER POST KIT (STRIPE MESH)



Item	Component Name	Quantity
A	MESH-POS-9052 - 2.4m HIGH DIG IN 60X60 CORNER POST ONLY	1
B	ACCS-MSH-0001 - UNIVERSAL MESH FENCING BLACK FIXING CLIPS	16
C	ACCS-MSH-0050 - M8 x 40mm MESH SECURITY BOLT	16
D	ACCS-RIB-0003 - 60x60 BLACK RIBBED INSERTS	1

	NAME	DATE	TITLE
DRAWN	LT	17/08/20	MESH-KIT-9052 - 2.4m HIGH DIG IN 60X60 CORNER POST KIT (STRIPE MESH)
TOLERANCE	± 2mm Unless Stated Otherwise		 First Fence Ltd, Kiln Way, Swadlincote, Derbyshire, DE11 8EA 01283 512 111 sales@firstfence.co.uk
 3RD ANGLE			NOTE: SHOULD ANY DISCREPANCIES BE FOUND WITH THIS DRAWING, PLEASE INFORM FIRSTFENCE COPYRIGHT OF THIS DRAWING IS OWNED BY FIRSTFENCE LIMITED.
SIZE A2			REV A
WEIGHT: N/A			SHEET 1 OF 2

2.4m HIGH DIG IN 60X60 CORNER POST ONLY (AL 3000mm)



NAME	DATE	TITLE
DRAWN: LT	17/08/20	MESH-POS-9052 - 2.4m HIGH DIG IN 60X60 CORNER POST ONLY
TOLERANCE: $\pm 2mm$ Unless Stated Otherwise		
		FirstFence <small>First Fence Ltd, Kiln Way, Swadincote, Derbyshire, DE11 8EA 01283 512 111 sales@firstfence.co.uk</small>
SIZE: A2	NOTE: SHOULD ANY DISCREPANCIES BE FOUND WITH THIS DRAWING, PLEASE INFORM FIRSTFENCE. COPYRIGHT OF THIS DRAWING IS OWNED BY FIRSTFENCE LIMITED.	REV: A
WEIGHT: 8.2 kg		SHEET 2 OF 2