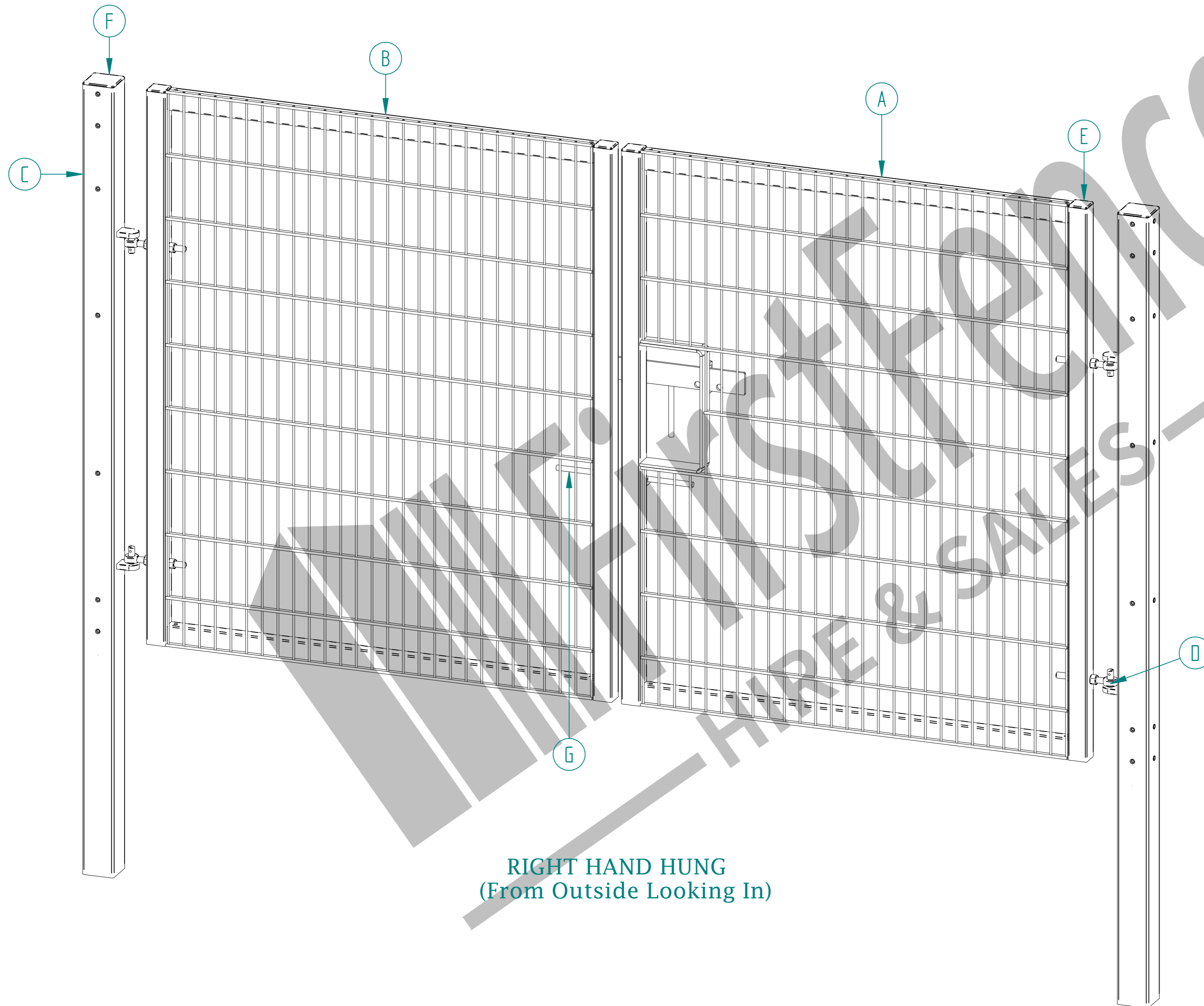
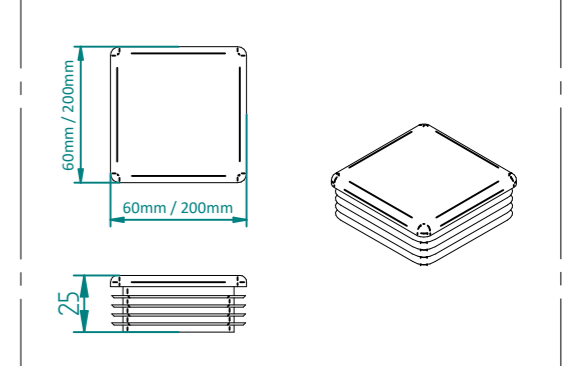


1.8m X 3.0m WIDE DOUBLE LEAF DIG IN 868 MESH GATE KIT

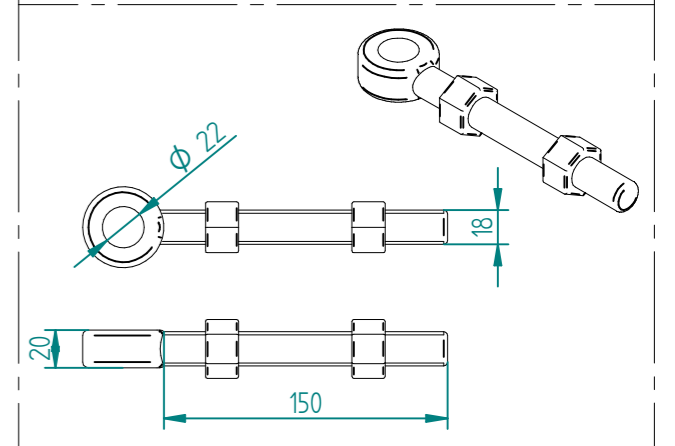


RIGHT HAND HUNG
(From Outside Looking In)

ALL GATES & POSTS ARE TO BE FITTED WITH BLACK PLASTIC INSERTS

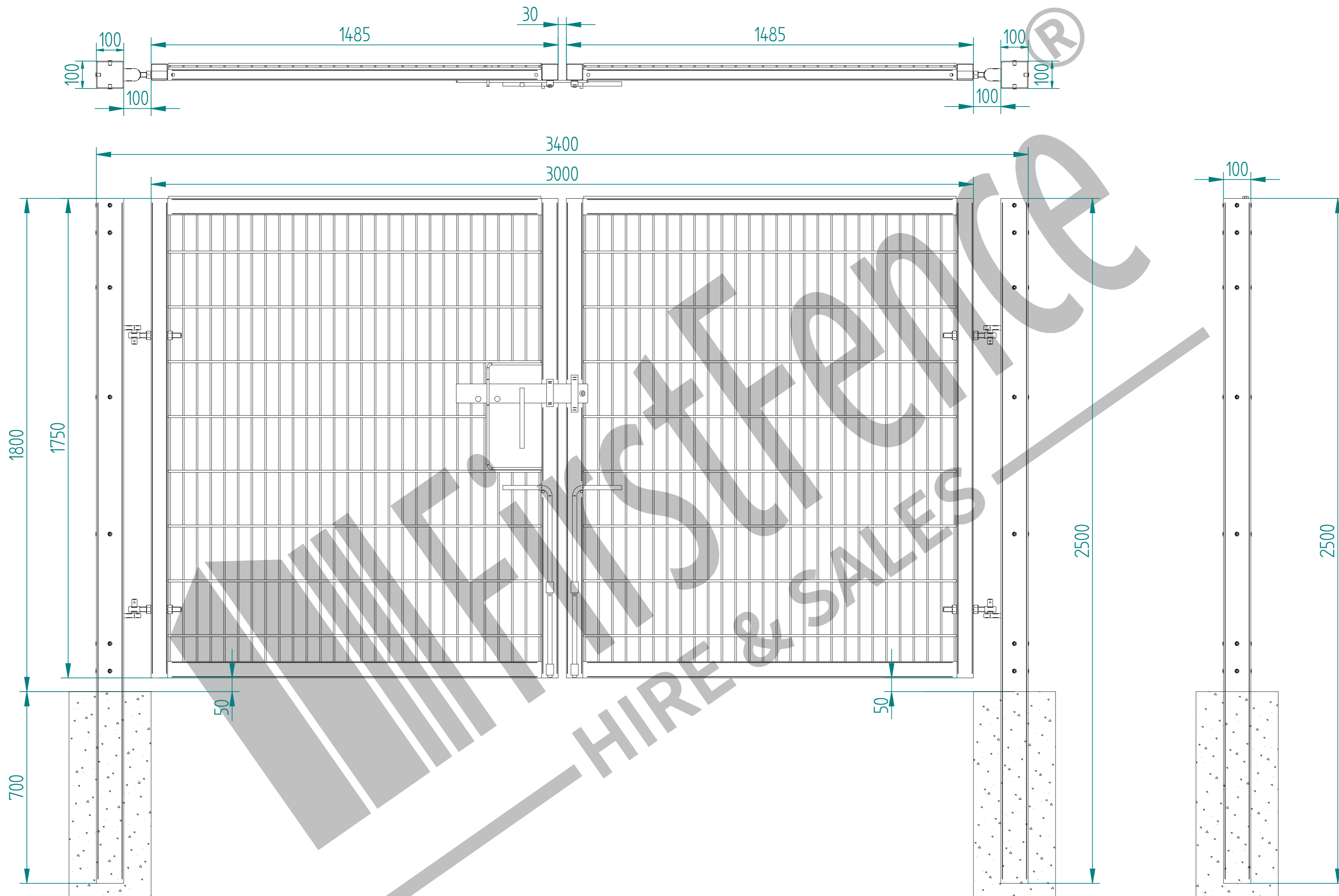


ALL GATES WITH 80x80/100x100/120x120 BOX SECTION HINGE POSTS ARE TO BE FITTED WITH TWO GALVANISED EYE BOLTS



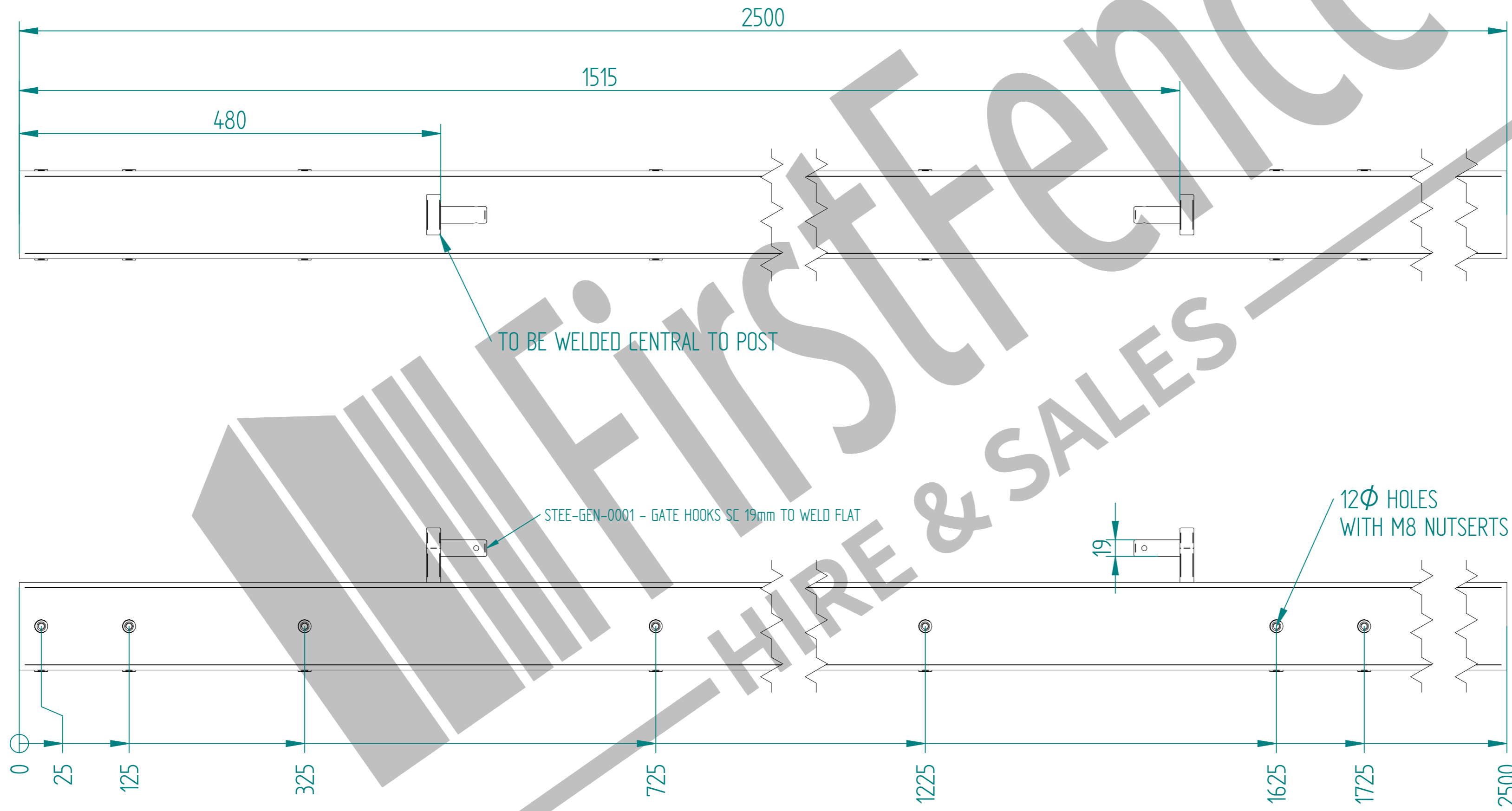
Item	Component Name	Quantity
A	MESH-SLI-1822 - 868 MESH GATE SLIDER 1.8m X 1.5m WIDE	1
B	MESH-CAT-1822 - 868 MESH GATE CATCH 1.8m X 1.5m WIDE	1
C	MESH-HIN-1822 - 1.8m HIGH DIG IN MESH HINGE GATE POST 100X100 BOX SECTION	2
D	ACCES-GEN-0001 - ADJUSTABLE GATE EYE BZP 130-150mm CW 20	4
E	ACCES-RIB-0003 - 60x60 BLACK RIBBED INSERTS	4
F	ACCES-RIB-0006 - 100X100 BLACK RIBBED INSERTS	2
G	ACCES-GEN-0101 - UNIVERSAL GATE DROP BOLT	2

NAME	DATE	TITLE
LT	07/12/21	MESH-KIT-6104 - 1.8m X 3.0m WIDE DOUBLE LEAF DIG IN 868 MESH GATE KIT
TOLERANCE ± 2mm Unless Stated Otherwise		First Fence Ltd, Kiln Way, Swadlincote, Derbyshire, DE11 8EA 01283 512 111 sales@firstfence.co.uk
3RD ANGLE		SIZE A2 WEIGHT: 141.5 kg SHEET 1 OF 6



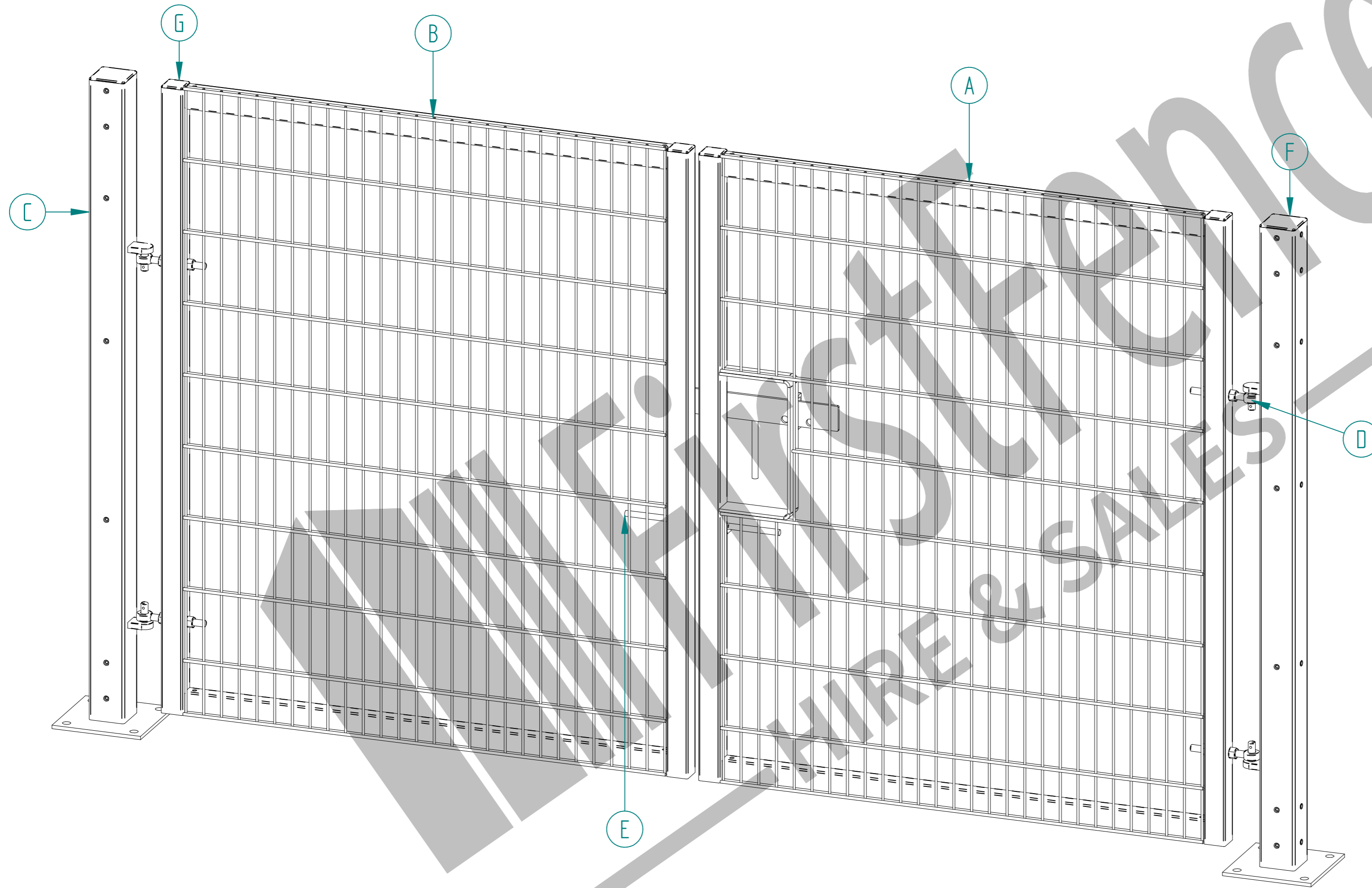
	NAME	DATE	TITLE
DRAWN	LT	07/12/21	MESH-KIT-6104 - 1.8m X 3.0m WIDE DOUBLE LEAF DIG IN 868 MESH GATE KIT
TOLERANCE	± 2mm Unless Stated Otherwise		
 3RD ANGLE			FirstFence <small>First Fence Ltd, Kiln Way, Swadincote, Derbyshire, DE11 8EA 01283 512 111 sales@firstfence.co.uk</small>
SIZE	A2		REV A
WEIGHT: 141.5 kg			SHEET 2 OF 6

1.8m HIGH DIG IN MESH HINGE GATE POST 100X100 BOX SECTION (AL 2500mm)



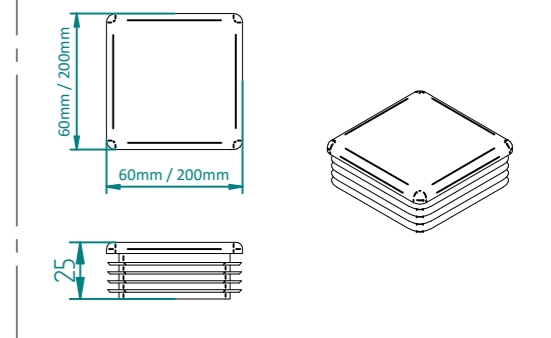
	NAME	DATE	TITLE
DRAWN	LT	07/12/21	MESH-HIN-1822 - 1.8m HIGH DIG IN MESH HINGE GATE POST 100X100 BOX SECTION
TOLERANCE	± 2mm Unless Stated Otherwise		First Fence Ltd, Kiln Way, Swadlincote, Derbyshire, DE11 8EA 01283 512 111 sales@firstfence.co.uk
3RD ANGLE 			NOTE: SHOULD ANY DISCREPANCIES BE FOUND WITH THIS DRAWING, PLEASE INFORM FIRSTFENCE. COPYRIGHT OF THIS DRAWING IS OWNED BY FIRSTFENCE LIMITED. SIZE A2 WEIGHT: 23.4 kg REV A SHEET 3 OF 6

1.8m X 3.0m WIDE DOUBLE LEAF BOLT DOWN 868 MESH GATE KIT

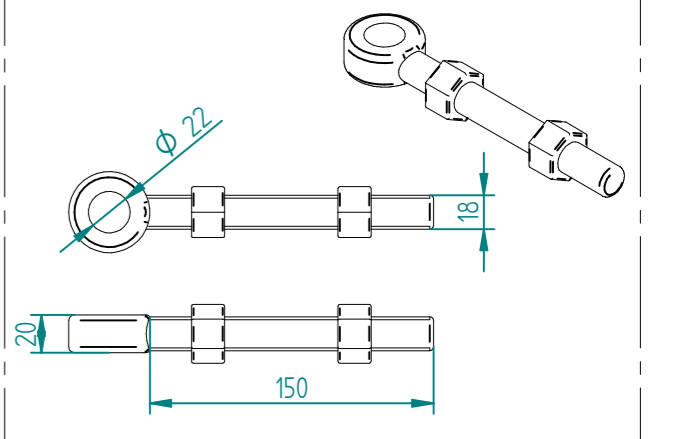


RIGHT HAND HUNG
(From Outside Looking In)

ALL GATES & POSTS ARE TO BE FITTED WITH BLACK PLASTIC INSERTS

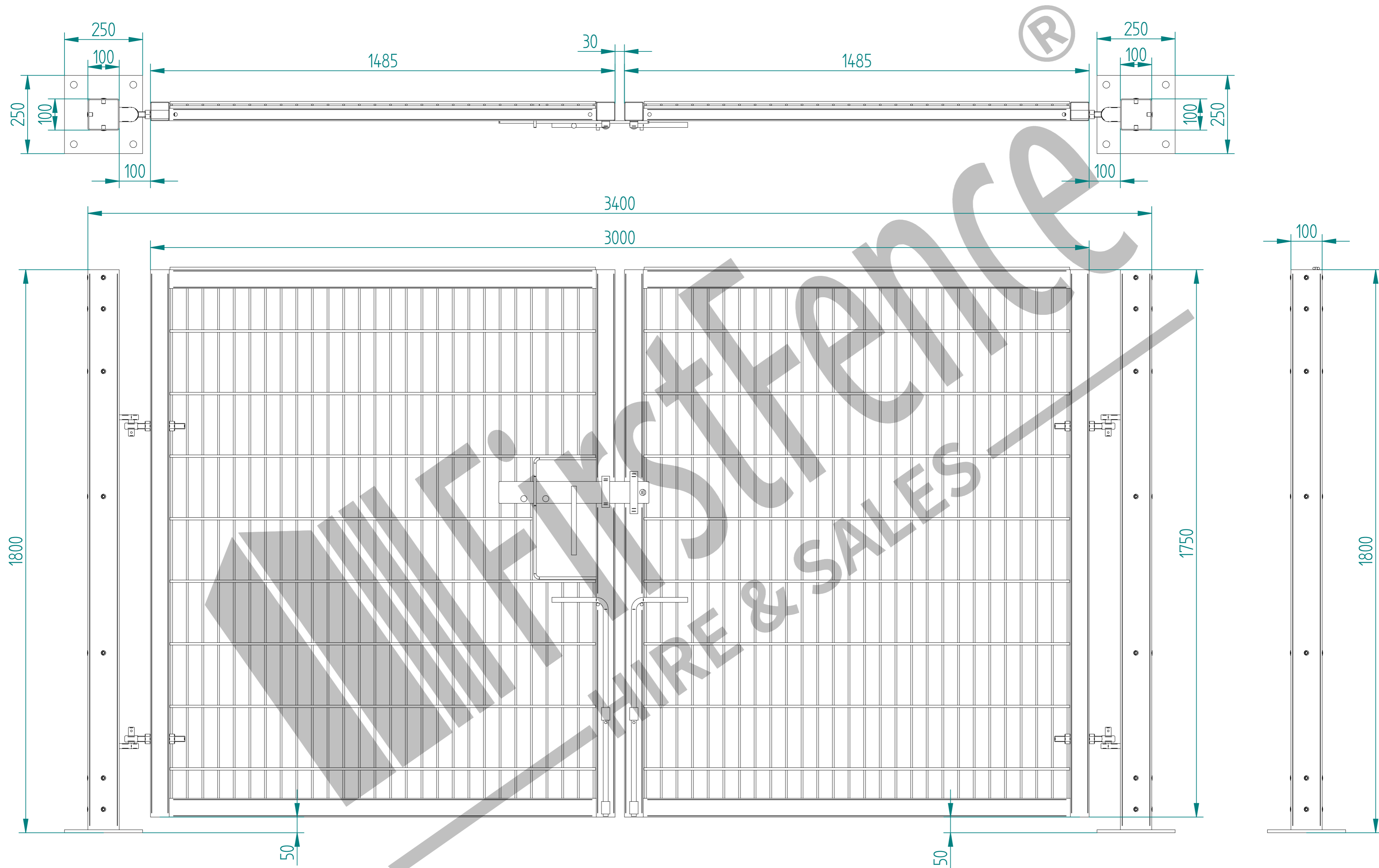


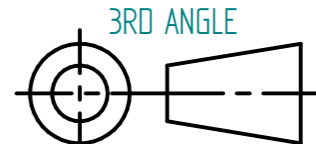
ALL GATES WITH 80x80/100x100/120x120 BOX SECTION HINGE POSTS ARE TO BE FITTED WITH TWO GALVANISED EYE BOLTS



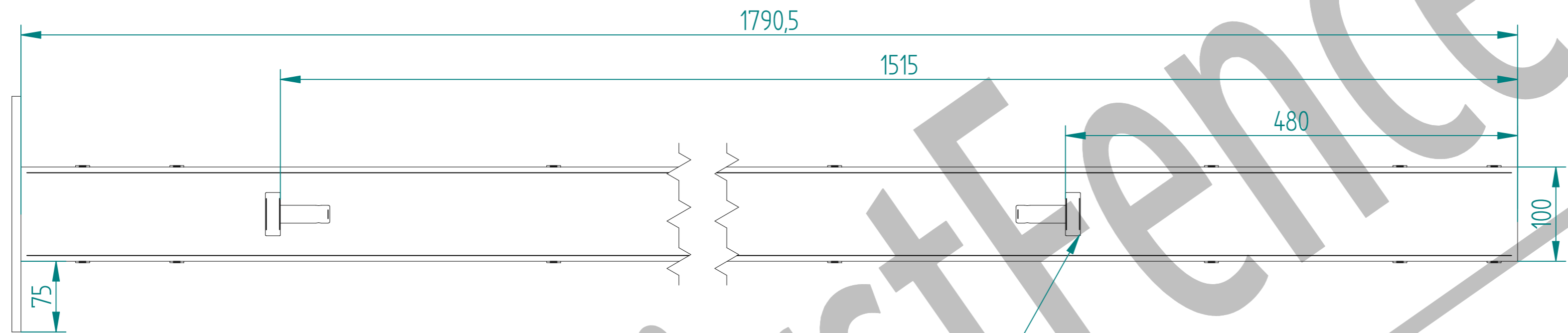
Item	Component Name	Quantity
A	MESH-SLI-1822 - 868 MESH GATE SLIDER 1.8m X 1.5m WIDE	1
B	MESH-CAT-1822 - 868 MESH GATE CATCH 1.8m X 1.5m WIDE	1
C	MESH-HIN-1832 - 1.8m HIGH BOLT DOWN MESH HINGE GATE POST 100X100 BOX SECTION	2
D	ACCS-GEN-0001 - ADJUSTABLE GATE EYE BZP 130-150mm CW 20	4
E	ACCS-GEN-0101 - UNIVERSAL GATE DROP BOLT	2
F	ACCS-RIB-0006 - 100X100 BLACK RIBBED INSERTS	2
G	ACCS-RIB-0003 - 60x60 BLACK RIBBED INSERTS	4

NAME	DATE	TITLE
LT	07/12/21	MESH-KIT-6105 - 1.8m X 3.0m WIDE DOUBLE LEAF BOLT DOWN 868 MESH GATE KIT
TOLERANCE ± 2mm Unless Stated Otherwise		First Fence Ltd, Kiln Way, Swadincote, Derbyshire, DE11 8EA 01283 512 111 sales@firstfence.co.uk
3RD ANGLE		NOTE: SHOULD ANY DISCREPANCIES BE FOUND WITH THIS DRAWING, PLEASE INFORM FIRSTFENCE. COPYRIGHT OF THIS DRAWING IS OWNED BY FIRSTFENCE LIMITED. SIZE A2 WEIGHT: 138.2 kg REV A SHEET 4 OF 6

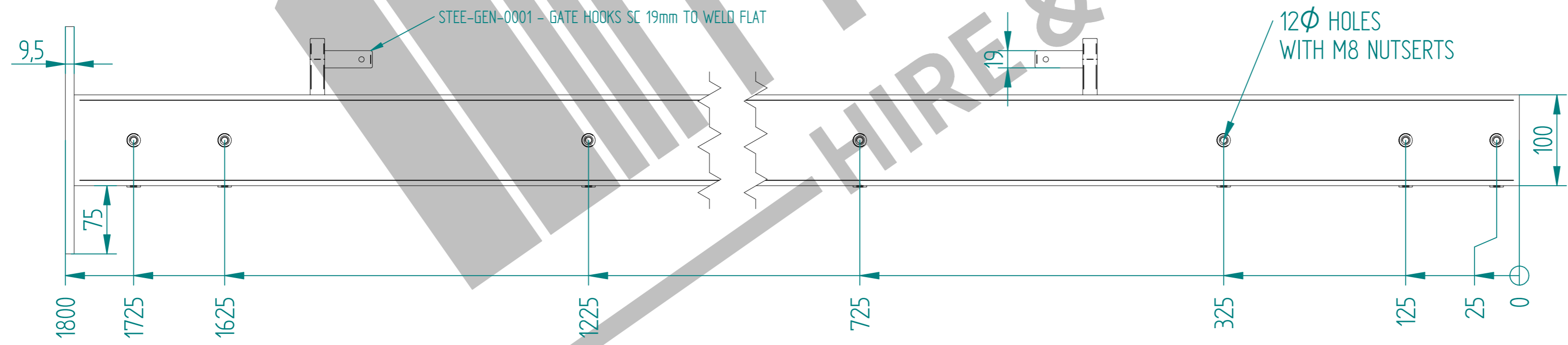


NAME	DATE	TITLE
LT	07/12/21	MESH-KIT-6105 - 1.8m X 3.0m WIDE DOUBLE LEAF BOLT DOWN 868 MESH GATE KIT
TOLERANCE	± 2mm Unless Stated Otherwise	
 3RD ANGLE		FirstFence <small>First Fence Ltd, Kiln Way, Swadlincote, Derbyshire, DE11 8EA 01283 512 111 sales@firstfence.co.uk</small>
SIZE	NOTE: SHOULD ANY DISCREPANCIES BE FOUND WITH THIS DRAWING, PLEASE INFORM FIRSTFENCE. COPYRIGHT OF THIS DRAWING IS OWNED BY FIRSTFENCE LIMITED.	REV
A2		A
WEIGHT: 138.2 kg		SHEET 5 OF 6

1.8m HIGH BOLT DOWN MESH HINGE GATE POST 100X100 BOX SECTION

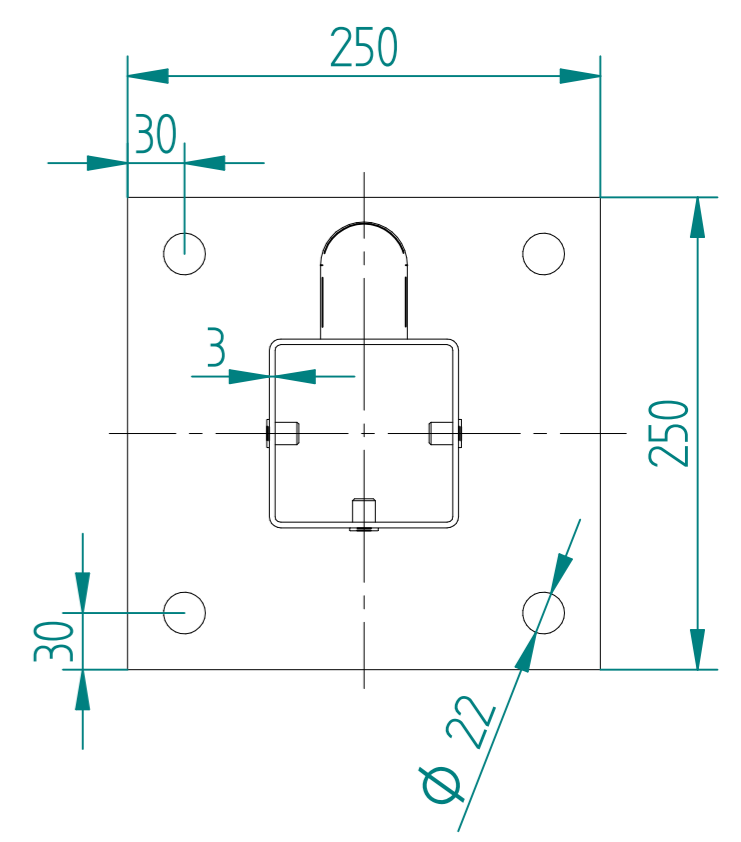


TO BE WELDED CENTRAL TO POST



STEE-GEN-0001 - GATE HOOKS SC 19mm TO WELD FLAT

12 ϕ HOLES WITH M8 NUTSERTS



	NAME	DATE	TITLE
DRAWN	LT	07/12/21	MESH-HIN-1832 - 1.8m HIGH BOLT DOWN MESH HINGE GATE POST 100X100 BOX SECTION
TOLERANCE	± 2mm Unless Stated Otherwise		First Fence Ltd, Kiln Way, Swadlincote, Derbyshire, DE11 8EA 01283 512 111 sales@firstfence.co.uk
3RD ANGLE			
			REV A
			SHEET 6 OF 6