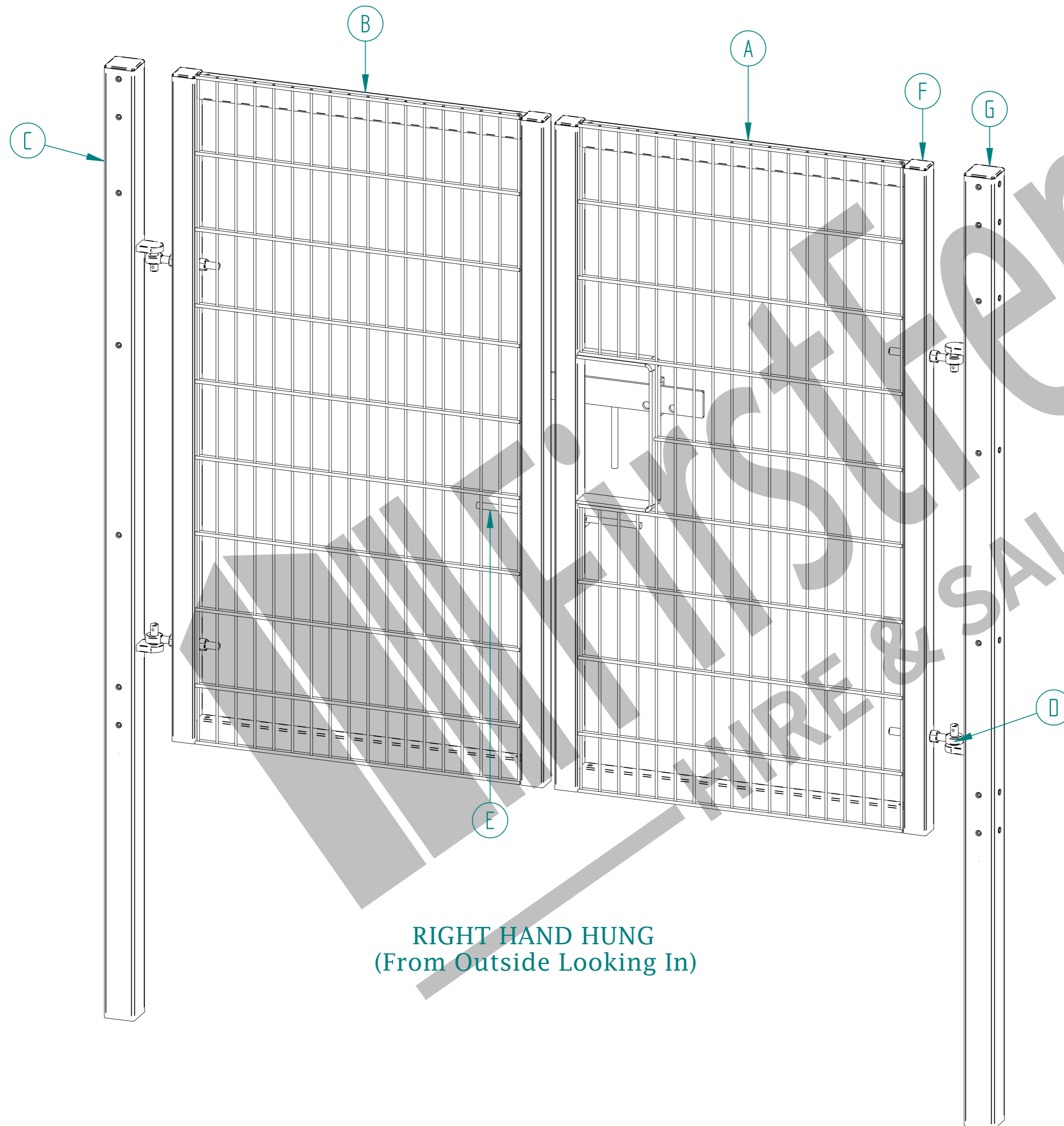
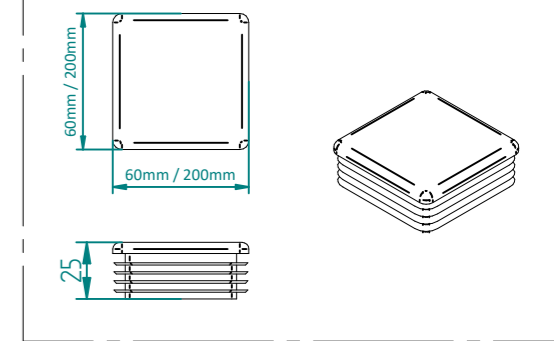


# 1.8m X 2.0m WIDE DOUBLE LEAF DIG IN 868 MESH GATE KIT

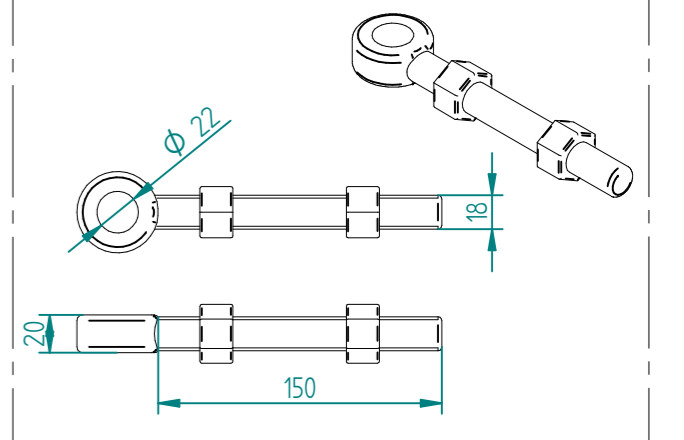


RIGHT HAND HUNG  
(From Outside Looking In)

ALL GATES & POSTS ARE TO BE FITTED WITH BLACK PLASTIC INSERTS

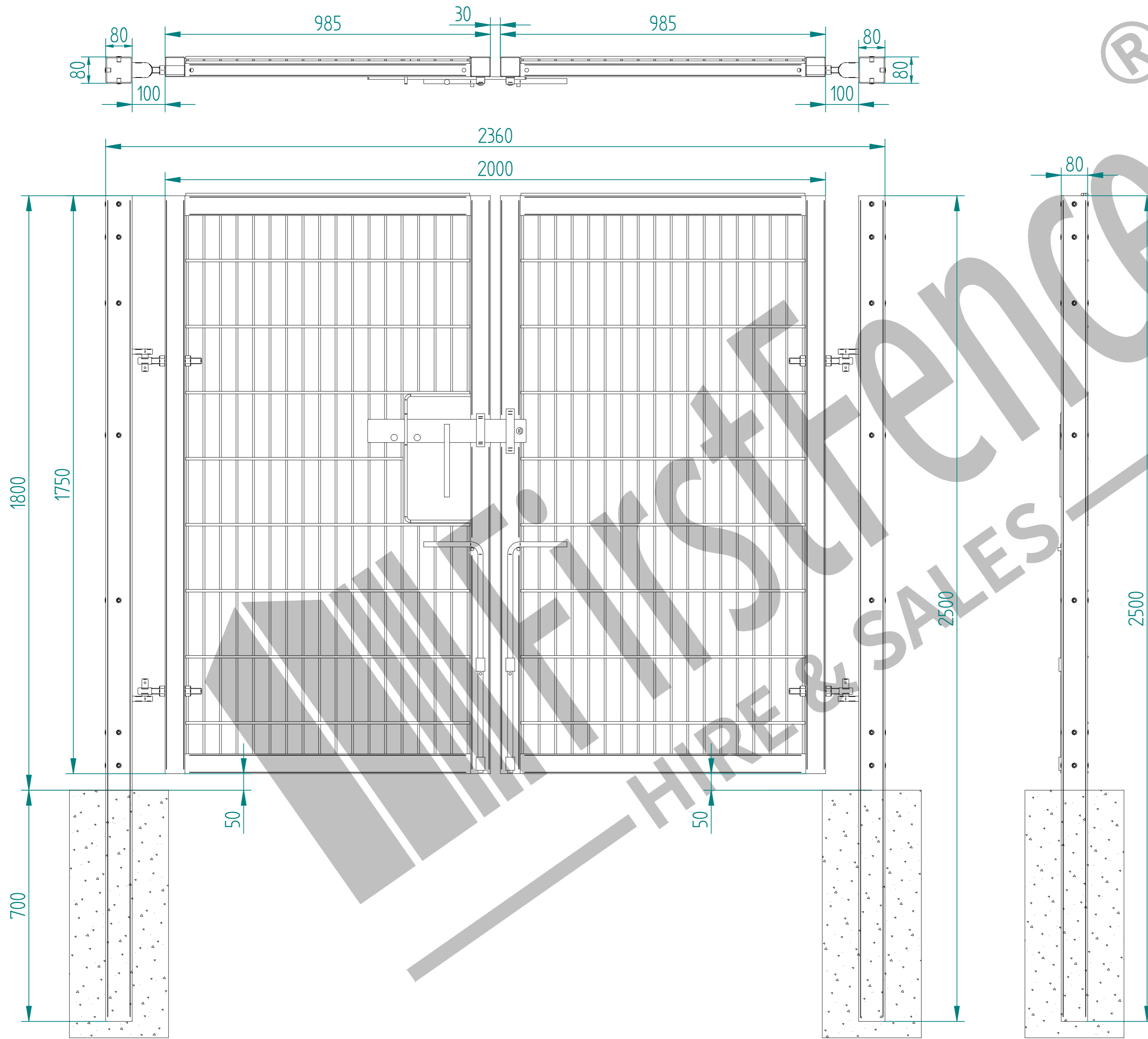


ALL GATES WITH 80x80/100x100/120x120 BOX SECTION HINGE POSTS ARE TO BE FITTED WITH TWO GALVANISED EYE BOLTS



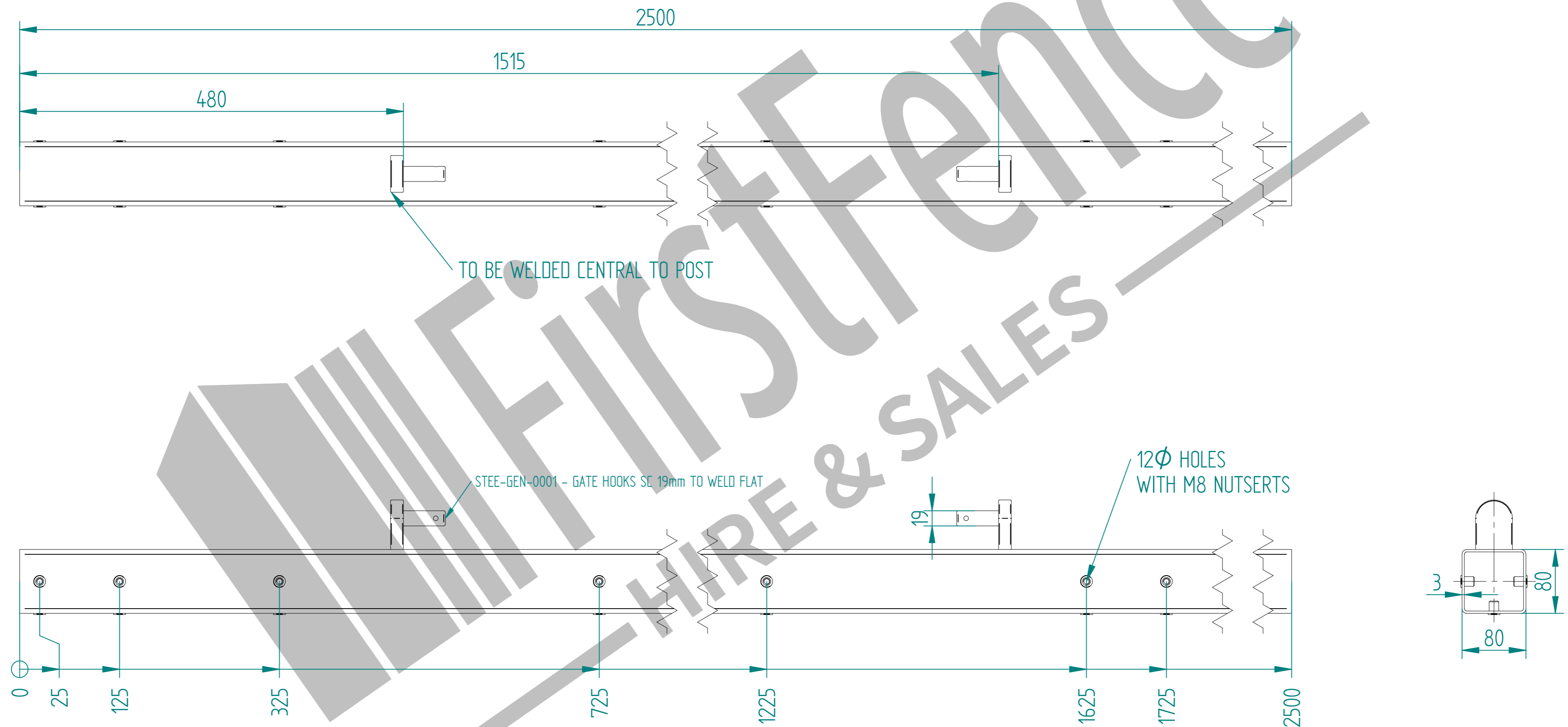
Item	Component Name	Quantity
A	MESH-SLI-1802 - 868 MESH GATE SLIDER 1.8m X 1.0m WIDE	1
B	MESH-CAT-1802 - 868 MESH GATE CATCH 1.8m X 1.0m WIDE	1
C	MESH-HIN-1802 - 1.8m HIGH DIG IN MESH HINGE GATE POST 80X80 BOX SECTION	2
D	ACCS-GEN-0001 - ADJUSTABLE GATE EYE BZP 130-150mm CW 20	4
E	ACCS-GEN-0101 - UNIVERSAL GATE DROP BOLT	2
F	ACCS-RIB-0003 - 60x60 BLACK RIBBED INSERTS	4
G	ACCS-RIB-0005 - 80x80 BLACK RIBBED INSERTS	2

NAME	DATE	TITLE
LT	07/12/21	MESH-KIT-6004 - 1.8m X 2.0m WIDE DOUBLE LEAF DIG IN 868 MESH GATE KIT
TOLERANCE ± 2mm Unless Stated Otherwise		First Fence Ltd, Kiln Way, Swadlincote, Derbyshire, DE11 8EA 01283 512 111 sales@firstfence.co.uk
3RD ANGLE		NOTE: SHOULD ANY DISCREPANCIES BE FOUND WITH THIS DRAWING, PLEASE INFORM FIRSTFENCE. COPYRIGHT OF THIS DRAWING IS OWNED BY FIRSTFENCE LIMITED. SIZE A2 WEIGHT: 110.5 kg REV A SHEET 1 OF 6



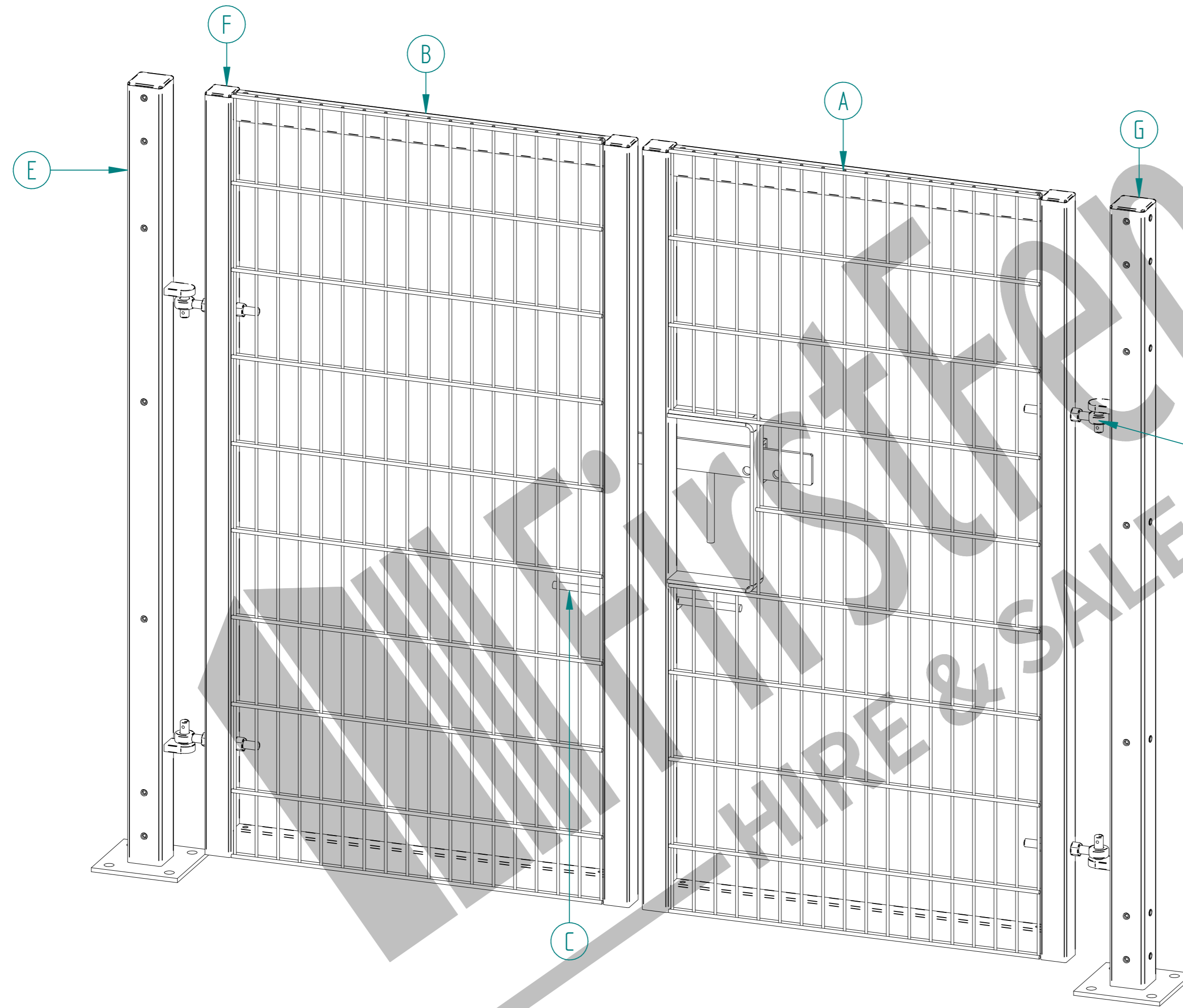
	NAME	DATE	TITLE
DRAWN	LT	07/12/21	MESH-KIT-6004 - 1.8m X 2.0m WIDE DOUBLE LEAF DIG IN 868 MESH GATE KIT
TOLERANCE	± 2mm Unless Stated Otherwise		First Fence Ltd, Kiln Way, Swadincote, Derbyshire, DE11 8EA 01283 512 111 sales@firstfence.co.uk
3RD ANGLE			
NOTE: SHOULD ANY DISCREPANCIES BE FOUND WITH THIS DRAWING, PLEASE INFORM FIRST FENCE COPYRIGHT OF THIS DRAWING IS OWNED BY FIRST FENCE LIMITED.			REV A
WEIGHT: 110.5 kg			SHEET 2 OF 6

# 1.8m HIGH DIG IN MESH HINGE GATE POST 80X80 BOX SECTION (AL 2500mm)



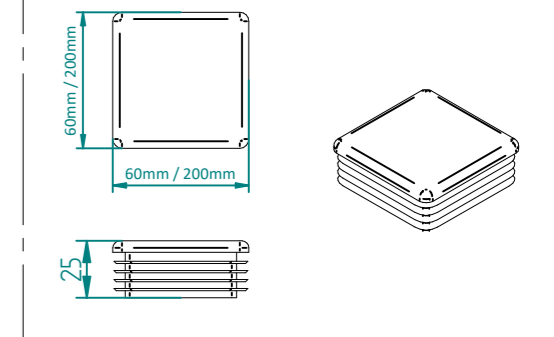
	NAME	DATE	TITLE
DRAWN	LT	07/12/21	MESH-HIN-1802 - 1.8m HIGH DIG IN MESH HINGE GATE POST 80X80 BOX SECTION
TOLERANCE	± 2mm Unless Stated Otherwise		First Fence Ltd, Kiln Way, Swadlincote, Derbyshire, DE11 8EA 01283 512 111 sales@firstfence.co.uk
3RD ANGLE			NOTE: SHOULD ANY DISCREPANCIES BE FOUND WITH THIS DRAWING, PLEASE INFORM FIRSTFENCE. COPYRIGHT OF THIS DRAWING IS OWNED BY FIRSTFENCE LIMITED. SIZE A2 WEIGHT: 17.7 kg
			REV A
			SHEET 3 OF 6

# 1.8m X 2.0m WIDE DOUBLE LEAF BOLT DOWN 868 MESH GATE KIT

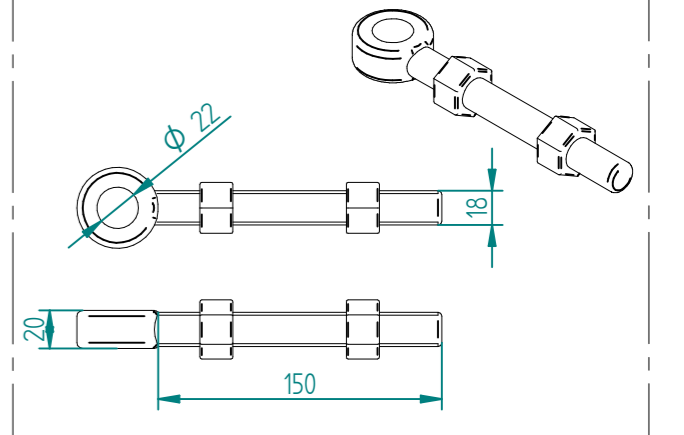


RIGHT HAND HUNG  
(From Outside Looking In)

ALL GATES & POSTS ARE TO BE FITTED WITH BLACK PLASTIC INSERTS

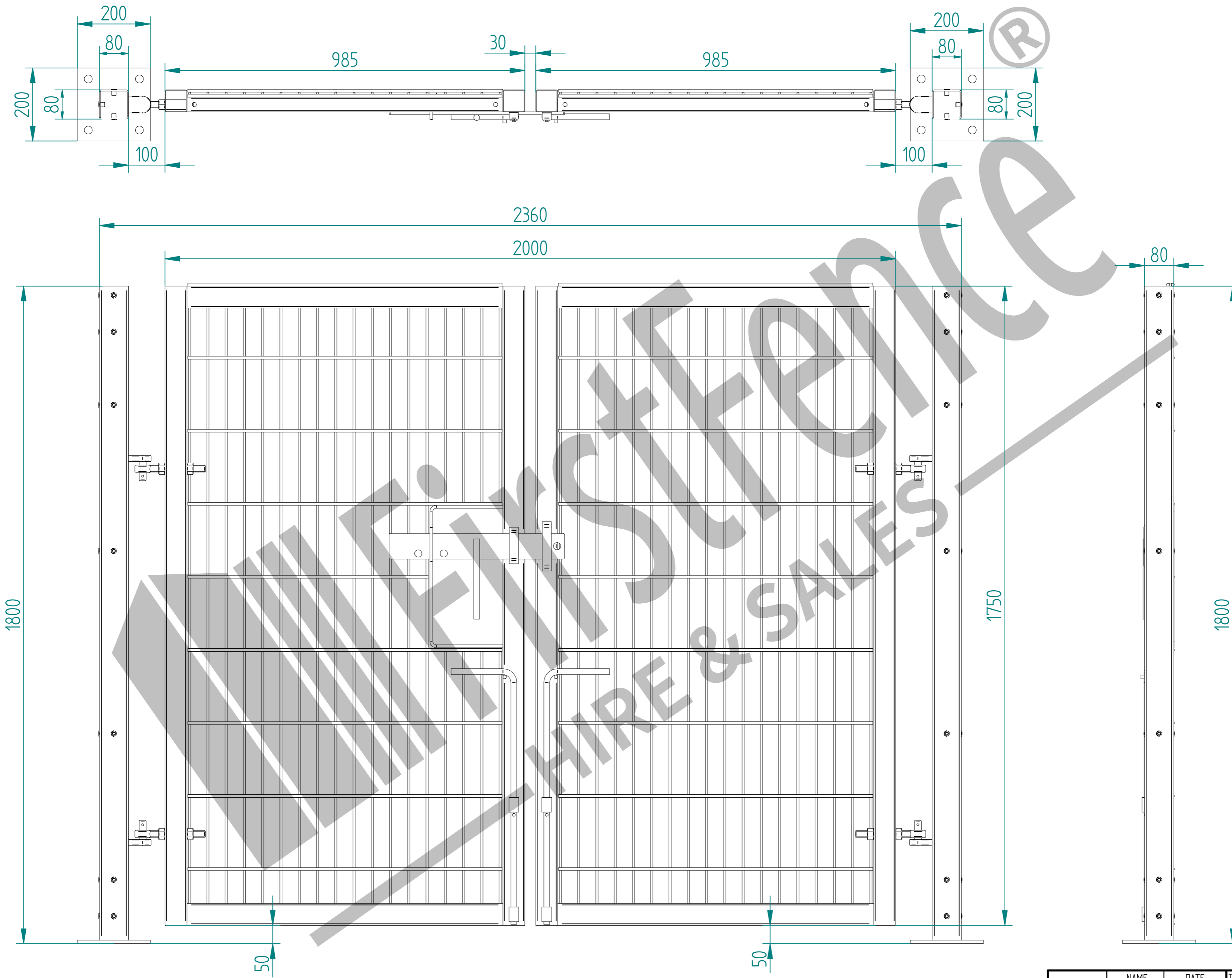


ALL GATES WITH 80x80/100x100/120x120 BOX SECTION HINGE POSTS ARE TO BE FITTED WITH TWO GALVANISED EYE BOLTS



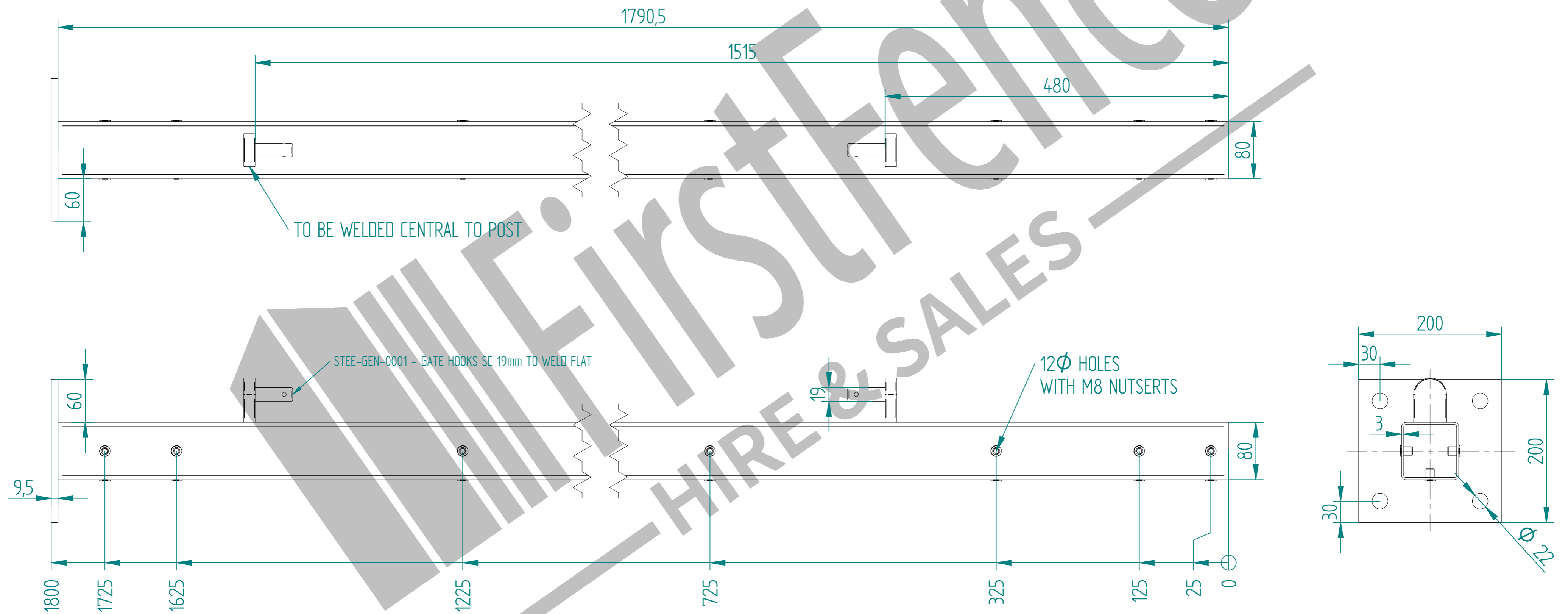
Item	Component Name	Quantity
A	MESH-SLI-1802 - 868 MESH GATE SLIDER 1.8m X 1.0m WIDE	1
B	MESH-CAT-1802 - 868 MESH GATE CATCH 1.8m X 1.0m WIDE	1
C	ACCS-GEN-0101 - UNIVERSAL GATE DROP BOLT	2
D	ACCS-GEN-0001 - ADJUSTABLE GATE EYE BZP 130-150mm CW 20	4
E	MESH-HIN-1812 - 1.8m HIGH BOLT DOWN MESH HINGE GATE POST 80X80 BOX SECTION	2
F	ACCS-RIB-0003 - 60x60 BLACK RIBBED INSERTS	4
G	ACCS-RIB-0005 - 80x80 BLACK RIBBED INSERTS	2

NAME	DATE	TITLE
LT	07/12/21	MESH-KIT-6005 - 1.8m X 2.0m WIDE DOUBLE LEAF BOLT DOWN 868 MESH GATE KIT
TOLERANCE ± 2mm Unless Stated Otherwise		First Fence Ltd, Kiln Way, Swadincote, Derbyshire, DE11 8EA 01283 512 111 sales@firstfence.co.uk
3RD ANGLE		NOTE: SHOULD ANY DISCREPANCIES BE FOUND WITH THIS DRAWING, PLEASE INFORM FIRSTFENCE. COPYRIGHT OF THIS DRAWING IS OWNED BY FIRSTFENCE LIMITED. SIZE A2 WEIGHT: 106.2 kg
		REV A



	NAME	DATE	TITLE
DRAWN	LT	07/12/21	MESH-KIT-6005 - 1.8m X 2.0m WIDE DOUBLE LEAF BOLT DOWN 868 MESH GATE KIT
TOLERANCE	± 2mm Unless Stated Otherwise		First Fence Ltd, Kiln Way, Swadincote, Derbyshire, DE11 8EA 01283 512 111 sales@firstfence.co.uk
3RD ANGLE			
			REV A

# 1.8m HIGH BOLT DOWN MESH HINGE GATE POST 80X80 BOX SECTION



NAME	DATE	TITLE
LT	07/12/21	MESH-HIN-1812 - 1.8m HIGH BOLT DOWN MESH HINGE GATE POST 80X80 BOX SECTION
TOLERANCE ± 2mm Unless Stated Otherwise		FirstFence® First Fence Ltd, Kiln Way, Swadlincote, Derbyshire, DE11 8EA 01283 512 111 sales@firstfence.co.uk
3RD ANGLE		NOTE: SHOULD ANY DISCREPANCIES BE FOUND WITH THIS DRAWING, PLEASE INFORM FIRSTFENCE. COPYRIGHT OF THIS DRAWING IS OWNED BY FIRSTFENCE LIMITED.
SIZE A2	WEIGHT: 16.5 kg	REV A
		SHEET 6 OF 6