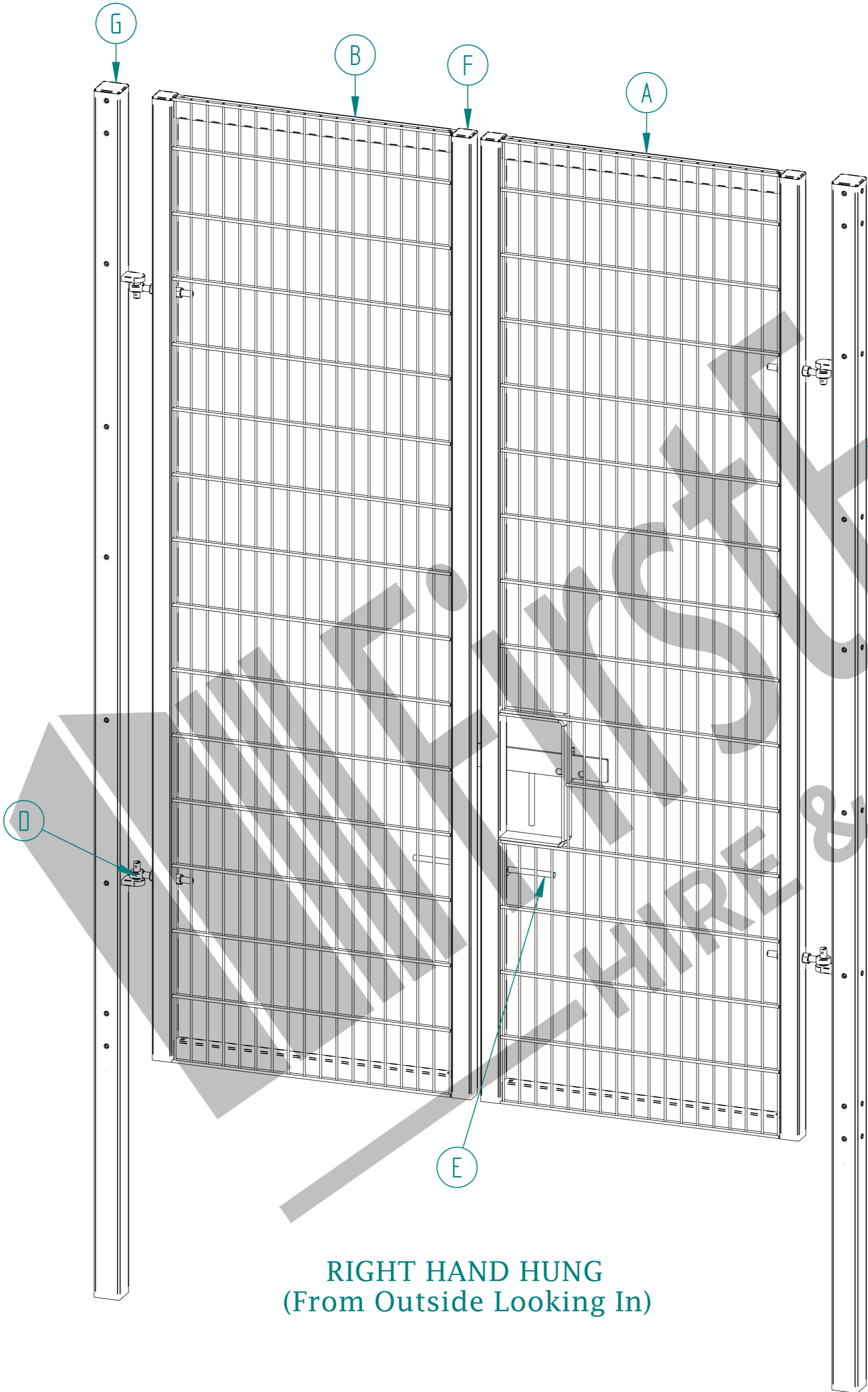
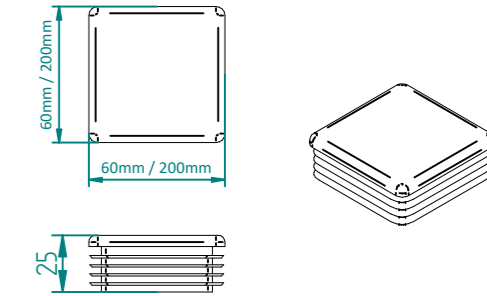


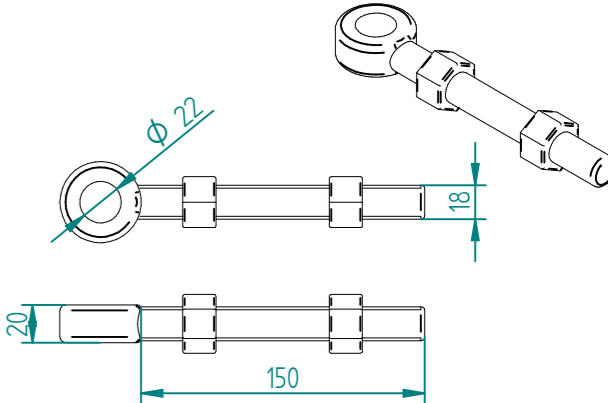
# 3.0m X 2.0m WIDE DOUBLE LEAF DIG IN 868 MESH GATE KIT



ALL GATES & POSTS ARE TO BE FITTED WITH BLACK PLASTIC INSERTS



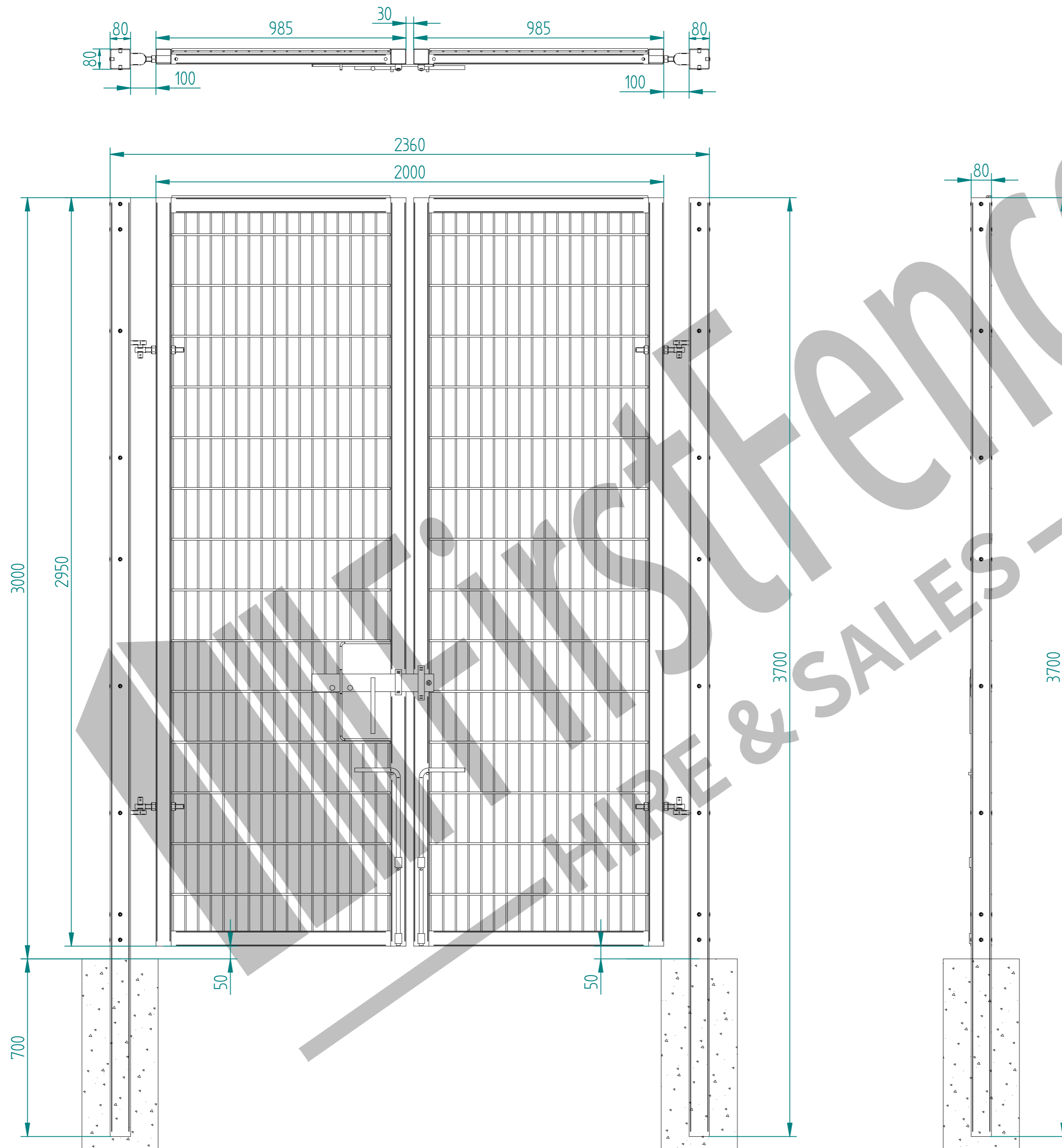
ALL GATES WITH 80x80/100x100/120x120 BOX SECTION HINGE POSTS ARE TO BE FITTED WITH TWO GALVANISED EYE BOLTS


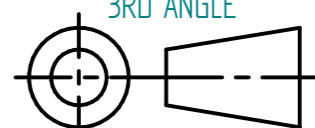


Item	Component Name	Quantity
A	MESH-SLI-3002 - 868 MESH GATE SLIDER 3.0m X 1.0m WIDE	1
B	MESH-CAT-3002 - 868 MESH GATE CATCH 3.0m X 1.0m WIDE	1
C	MESH-HIN-3002 - 3.0m HIGH DIG IN MESH HINGE GATE POST 80X80 BOX SECTION	2
D	ACCS-GEN-0001 - ADJUSTABLE GATE EYE BZP 130-150mm CW 20	4
E	ACCS-GEN-0101 - UNIVERSAL GATE DROP BOLT	2
F	ACCS-RIB-0003 - 60x60 BLACK RIBBED INSERTS	4
G	ACCS-RIB-0005 - 80x80 BLACK RIBBED INSERTS	2

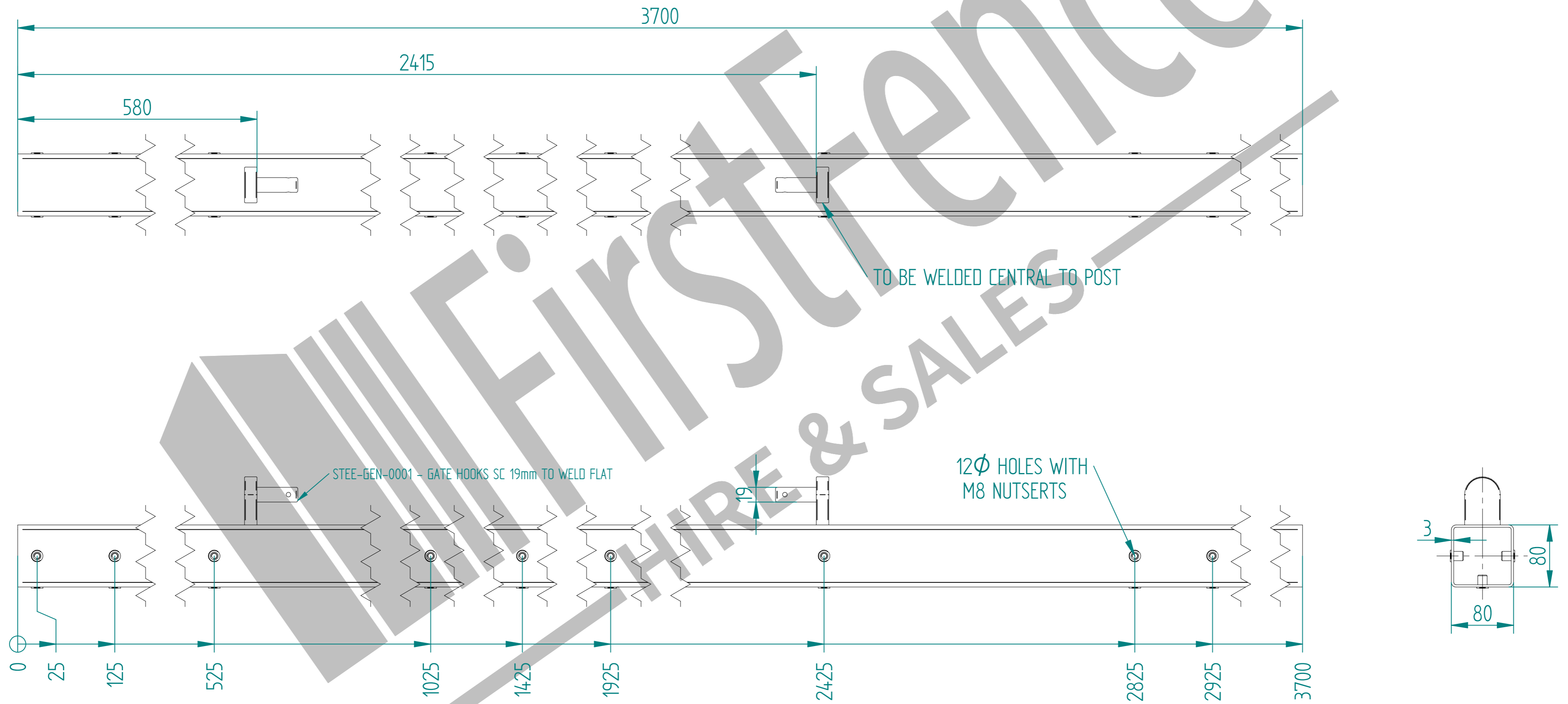
RIGHT HAND HUNG  
(From Outside Looking In)


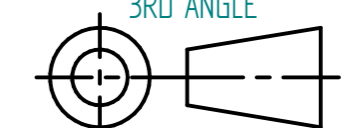
NAME	DATE	TITLE
LT	21/03/22	MESH-KIT-6034 - 3.0m X 2.0m WIDE DOUBLE LEAF DIG IN 868 MESH GATE KIT
TOLERANCE ± 2mm Unless Stated Otherwise		FirstFence® First Fence Ltd, Kiln Way, Swadlincote, Derbyshire, DE11 8EA 01283 512 111 sales@firstfence.co.uk
3RD ANGLE		NOTE: SHOULD ANY DISCREPANCIES BE FOUND WITH THIS DRAWING, PLEASE INFORM FIRSTFENCE. COPYRIGHT OF THIS DRAWING IS OWNED BY FIRSTFENCE LIMITED.
SIZE A2	WEIGHT: 162.3 kg	REV A



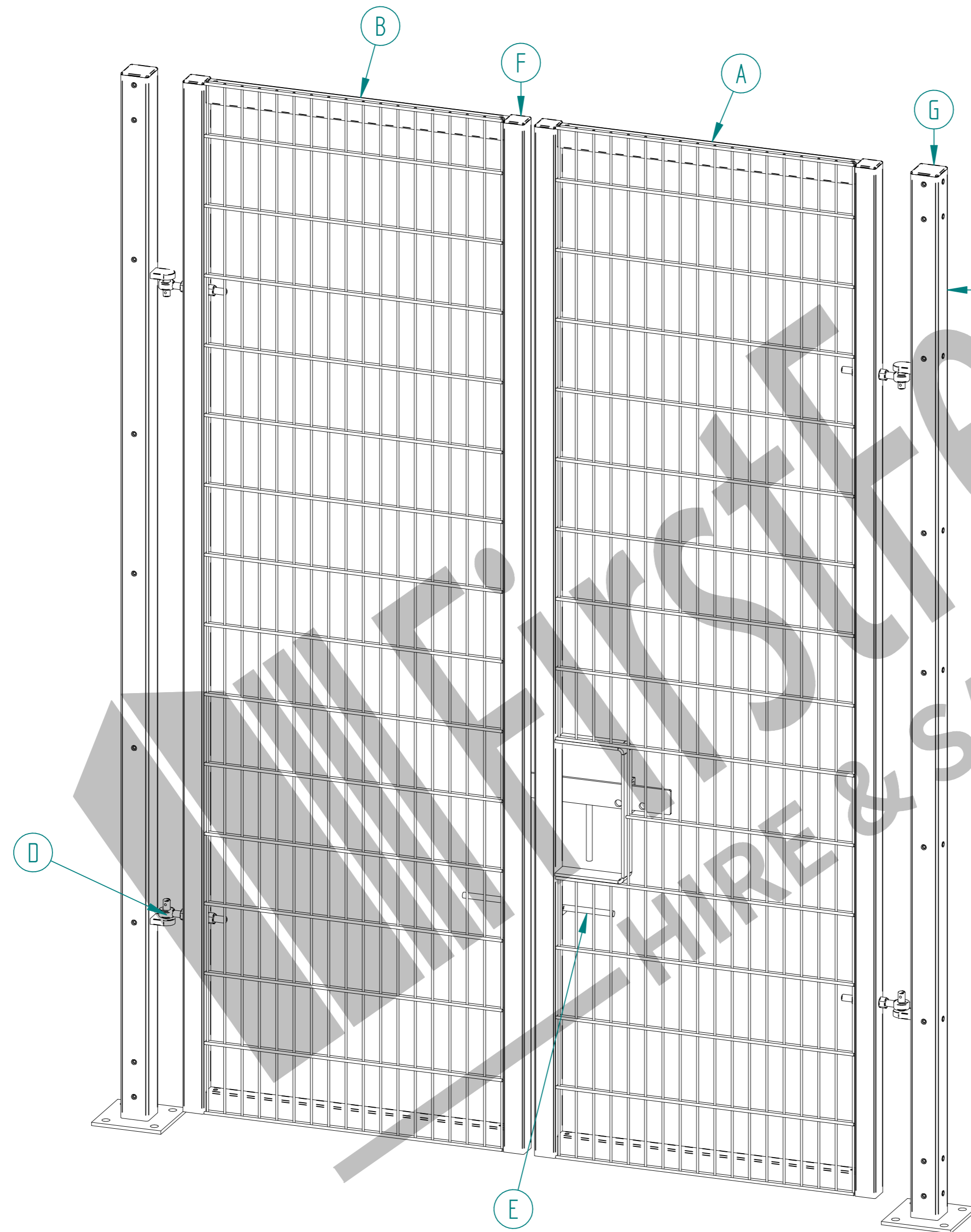
	NAME	DATE	TITLE
DRAWN	LT	21/03/22	MESH-KIT-6034 - 3.0m X 2.0m WIDE DOUBLE LEAF DIG IN 868 MESH GATE KIT
TOLERANCE	± 2mm Unless Stated Otherwise		 First Fence Ltd, Kiln Way, Swadincote, Derbyshire, DE11 8EA 01283 512 111 sales@firstfence.co.uk
 3RD ANGLE			NOTE: SHOULD ANY DISCREPANCIES BE FOUND WITH THIS DRAWING, PLEASE INFORM FIRST FENCE COPYRIGHT OF THIS DRAWING IS OWNED BY FIRST FENCE LIMITED.
SIZE A2			REV A
WEIGHT: 162.3 kg			SHEET 2 OF 6

# 3.0m HIGH DIG IN MESH HINGE GATE POST 80X80 BOX SECTION (AL 3700mm)

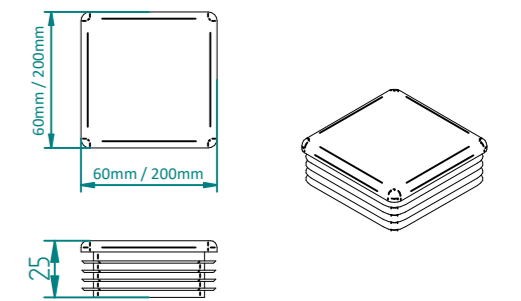


	NAME	DATE	TITLE
DRAWN	LT	21/03/22	MESH-HIN-3002 - 3.0m HIGH DIG IN MESH HINGE GATE POST 80X80 BOX SECTION
TOLERANCE	± 2mm Unless Stated Otherwise		 First Fence Ltd, Kiln Way, Swadlincote, Derbyshire, DE11 8EA 01283 512 111 sales@firstfence.co.uk
 3RD ANGLE			NOTE: SHOULD ANY DISCREPANCIES BE FOUND WITH THIS DRAWING, PLEASE INFORM FIRSTFENCE. COPYRIGHT OF THIS DRAWING IS OWNED BY FIRSTFENCE LIMITED. WEIGHT: 26.3 kg
SIZE	A2		REV A

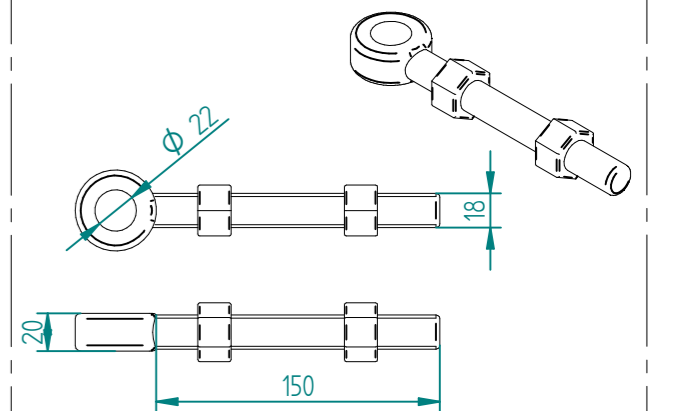
# 3.0m X 2.0m WIDE DOUBLE LEAF BOLT DOWN 868 MESH GATE KIT



ALL GATES & POSTS ARE TO BE FITTED WITH BLACK PLASTIC INSERTS



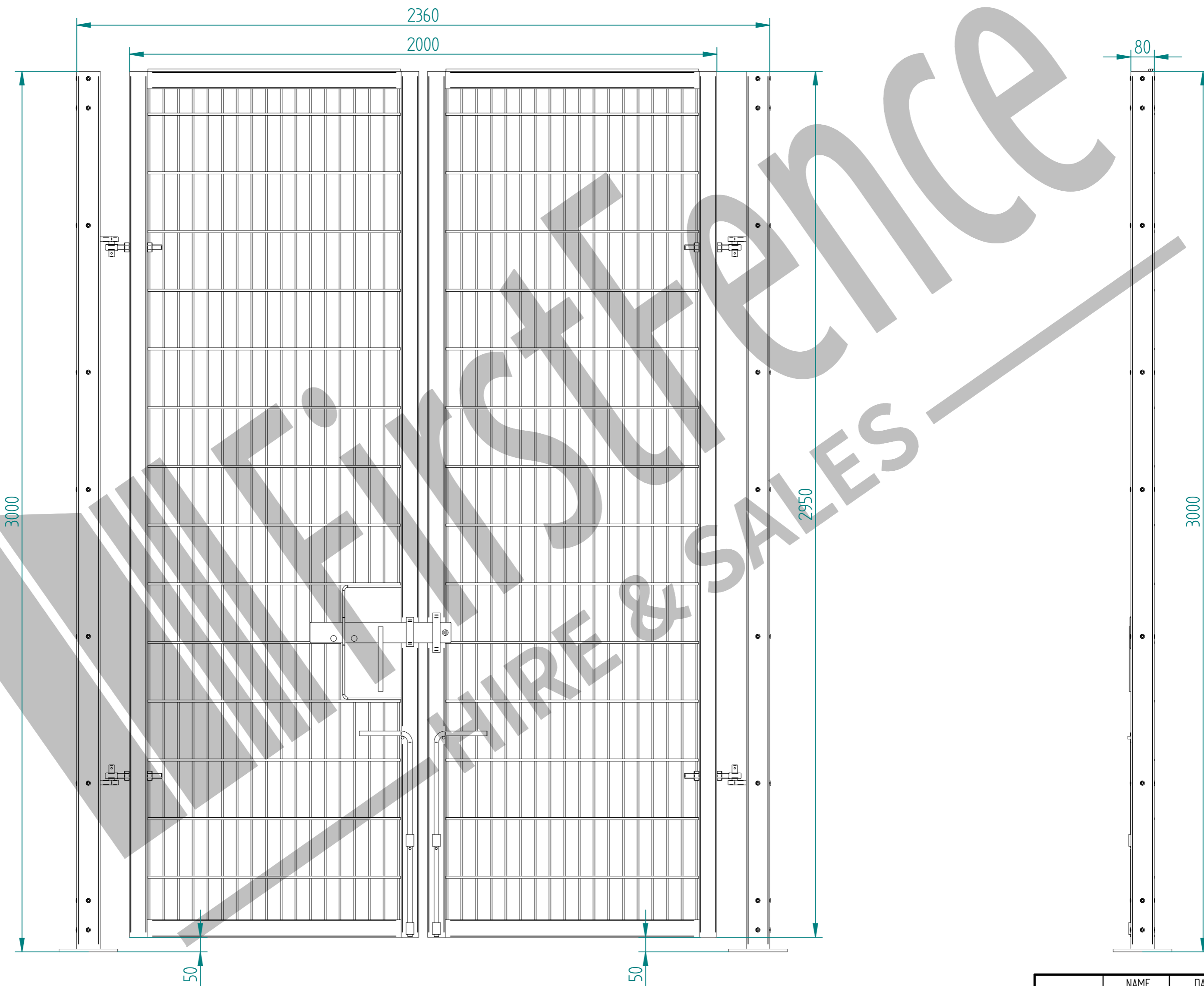
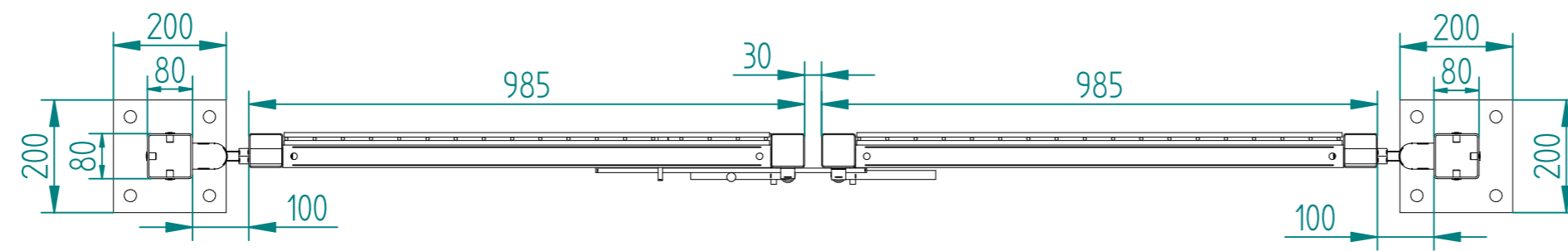
ALL GATES WITH 80x80/100x100/120x120 BOX SECTION HINGE POSTS ARE TO BE FITTED WITH TWO GALVANISED EYE BOLTS



RIGHT HAND HUNG  
(From Outside Looking In)

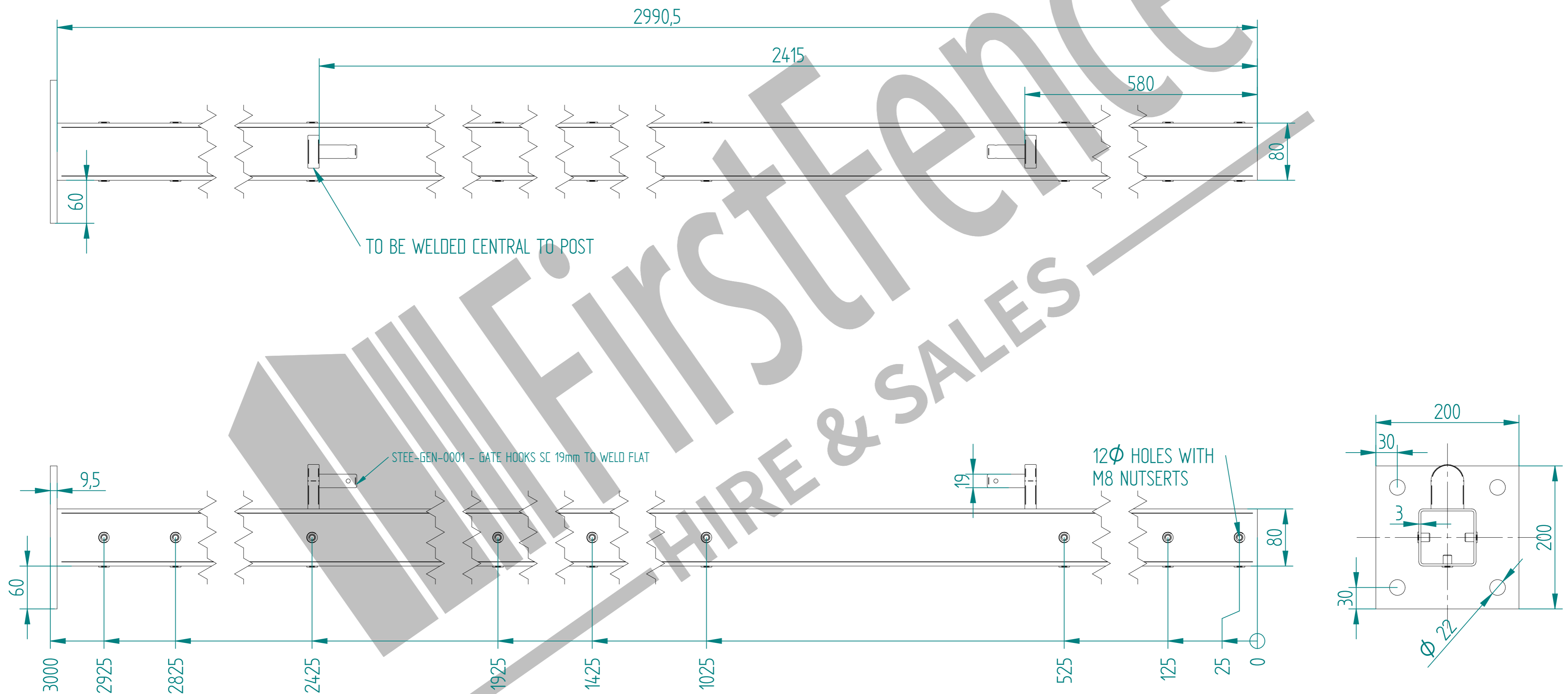
Item	Component Name	Quantity
A	MESH-SLI-3002 - 868 MESH GATE SLIDER 3.0m X 1.0m WIDE	1
B	MESH-CAT-3002 - 868 MESH GATE CATCH 3.0m X 1.0m WIDE	1
C	MESH-HIN-3012 - 3.0m HIGH BOLT DOWN MESH HINGE GATE POST 80X80 BOX SECTION	2
D	ACCS-GEN-0001 - ADJUSTABLE GATE EYE BZP 130-150mm CW 20	4
E	ACCS-GEN-0101 - UNIVERSAL GATE DROP BOLT	2
F	ACCS-RIB-0003 - 60x60 BLACK RIBBED INSERTS	4
G	ACCS-RIB-0005 - 80x80 BLACK RIBBED INSERTS	2

NAME	DATE	TITLE
LT	21/03/22	MESH-KIT-6035 - 3.0m X 2.0m WIDE DOUBLE LEAF BOLT DOWN 868 MESH GATE KIT
TOLERANCE ± 2mm Unless Stated Otherwise		First Fence Ltd, Kiln Way, Swadlincote, Derbyshire, DE11 8EA 01283 512 111 sales@firstfence.co.uk
3RD ANGLE		NOTE: SHOULD ANY DISCREPANCIES BE FOUND WITH THIS DRAWING, PLEASE INFORM FIRSTFENCE. COPYRIGHT OF THIS DRAWING IS OWNED BY FIRSTFENCE LIMITED. SIZE A2 WEIGHT: 158.0 kg
		REV A



	NAME	DATE	TITLE
DRAWN	LT	21/03/22	MESH-KIT-6035 - 3.0m X 2.0m WIDE DOUBLE LEAF BOLT DOWN 868 MESH GATE KIT
TOLERANCE	± 2mm Unless Stated Otherwise		First Fence Ltd, Kiln Way, Swadincote, Derbyshire, DE11 8EA 01283 512 111 sales@firstfence.co.uk
3RD ANGLE			NOTE: SHOULD ANY DISCREPANCIES BE FOUND WITH THIS DRAWING, PLEASE INFORM FIRST FENCE COPYRIGHT OF THIS DRAWING IS OWNED BY FIRST FENCE LIMITED.
SIZE A2		WEIGHT: 158.0 kg	REV A

# 3.0m HIGH BOLT DOWN MESH HINGE GATE POST 80X80 BOX SECTION



	NAME	DATE	TITLE
DRAWN	LT	21/03/22	MESH-HIN-3012 - 3.0m HIGH BOLT DOWN MESH HINGE GATE POST 80X80 BOX SECTION
TOLERANCE	± 2mm Unless Stated Otherwise		First Fence Ltd, Kiln Way, Swadlincote, Derbyshire, DE11 8EA 01283 512 111 sales@firstfence.co.uk
	3RD ANGLE		NOTE: SHOULD ANY DISCREPANCIES BE FOUND WITH THIS DRAWING, PLEASE INFORM FIRSTFENCE. COPYRIGHT OF THIS DRAWING IS OWNED BY FIRSTFENCE LIMITED. SIZE A2 WEIGHT: 24.1 kg
			REV A
			SHEET 6 OF 6