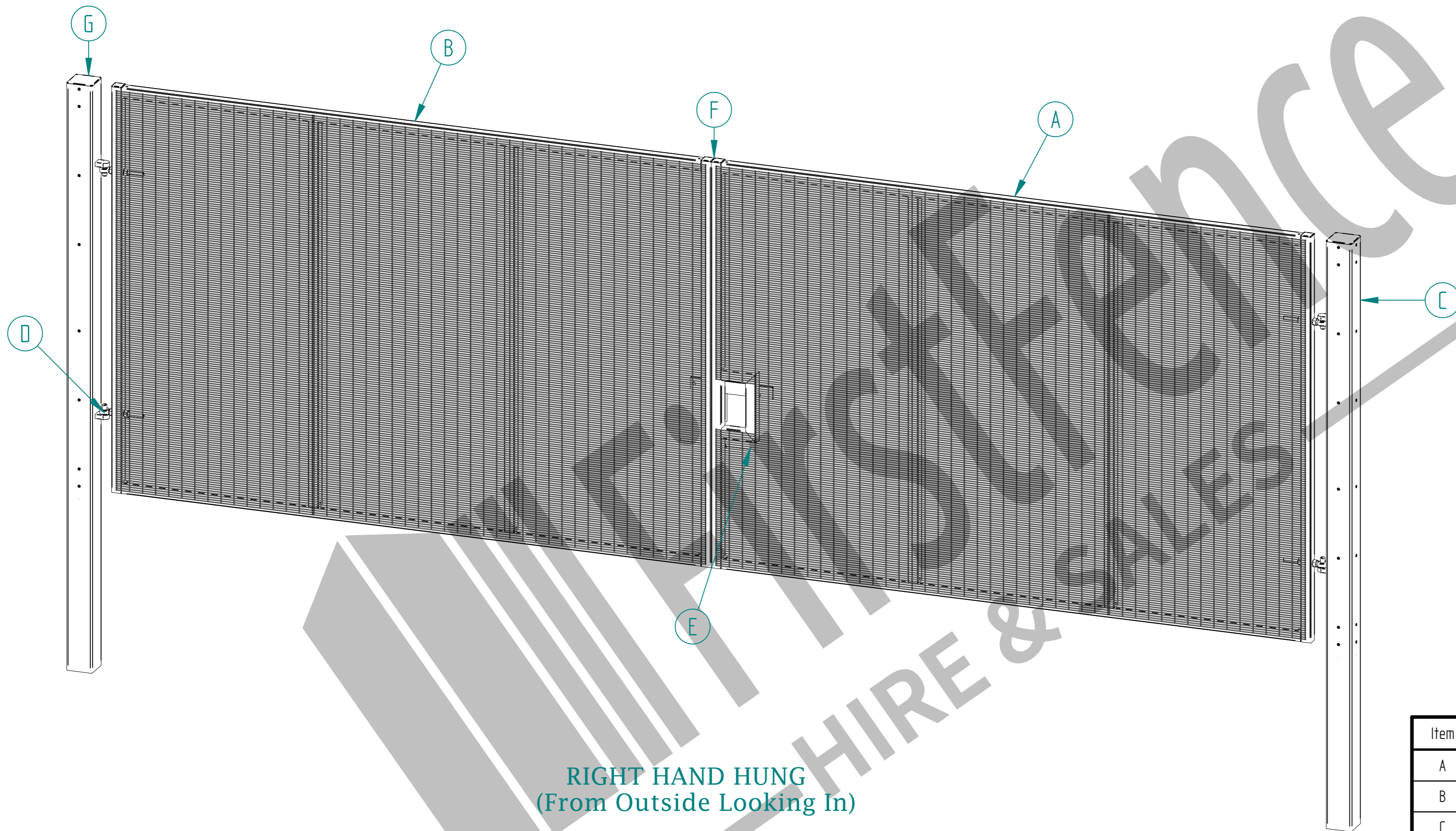
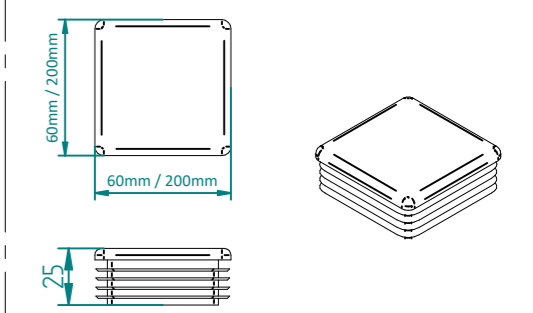


2.4m X 7.0m WIDE DOUBLE LEAF DIG IN 358 MESH GATE KIT

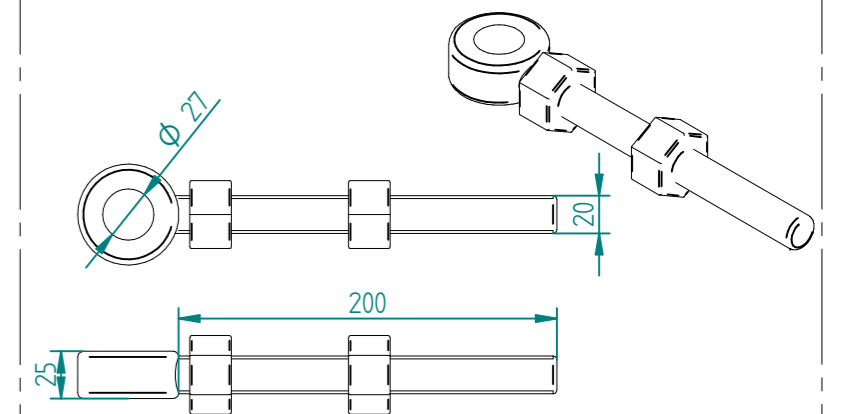


RIGHT HAND HUNG
(From Outside Looking In)

ALL GATES & POSTS ARE TO BE FITTED WITH BLACK PLASTIC INSERTS

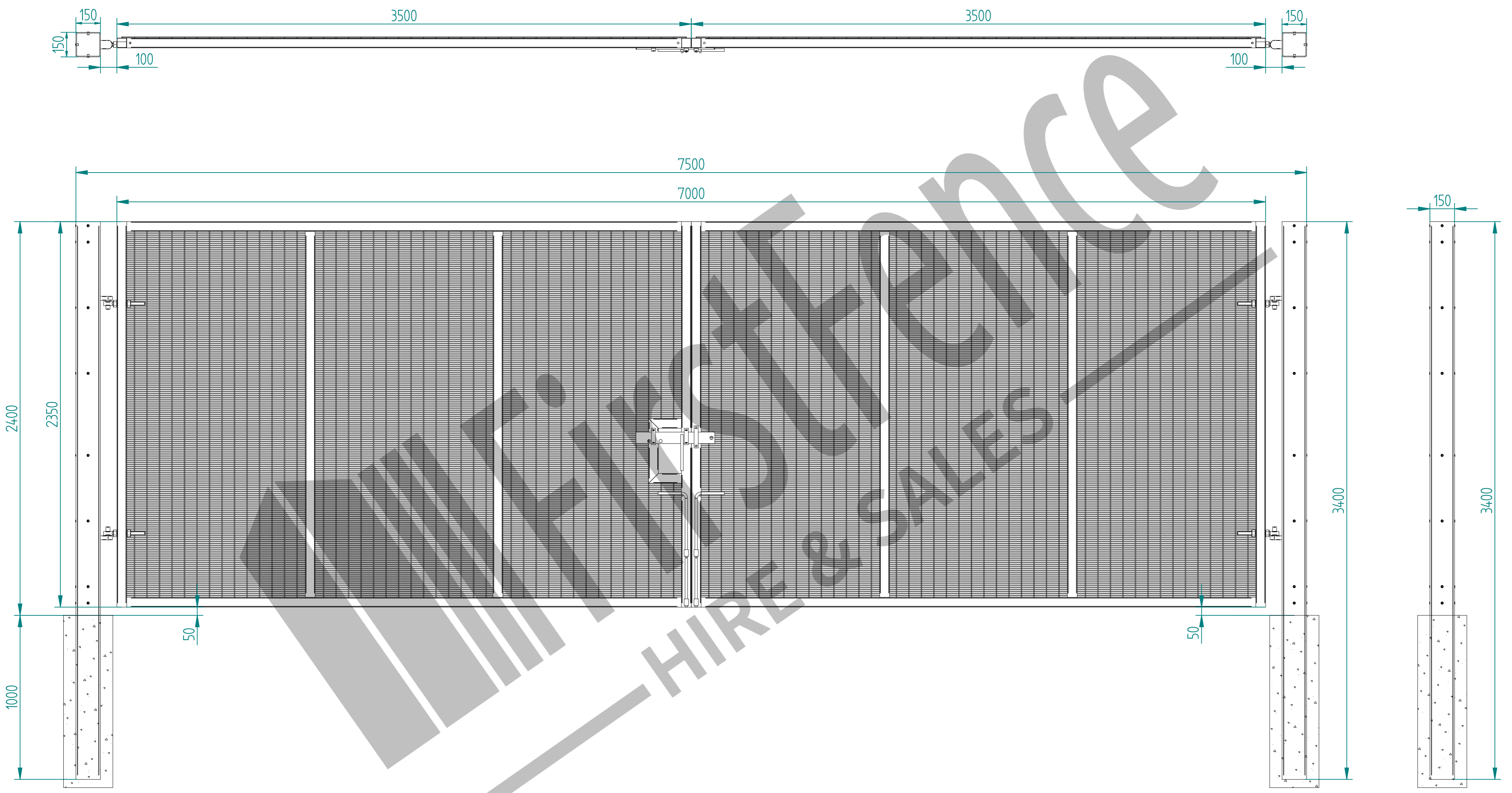


ALL GATES WITH 150x150 / 200x200 BOX SECTION HINGE POSTS ARE TO BE FITTED WITH TWO GALVANISED EYE BOLTS



Item	Component Name	Quantity
A	MESH-SLI-4862 - 358 MESH GATE SLIDER 2.4m X 3.5m WIDE	1
B	MESH-CAT-4862 - 358 MESH GATE CATCH 2.4m X 3.5m WIDE	1
C	MESH-HIN-2442 - 2.4m HIGH DIG IN MESH GATE POST 150X150 BOX SECTION	2
D	ACCS-GEN-0002 - ADJUSTABLE GATE EYE G 200mm cw 25mm	4
E	ACCS-GEN-0101 - UNIVERSAL GATE DROP BOLT	2
F	ACCS-RIB-0003 - 60x60 BLACK RIBBED INSERTS	4
G	ACCS-RIB-0007 - 150x150 BLACK RIBBED INSERTS	2

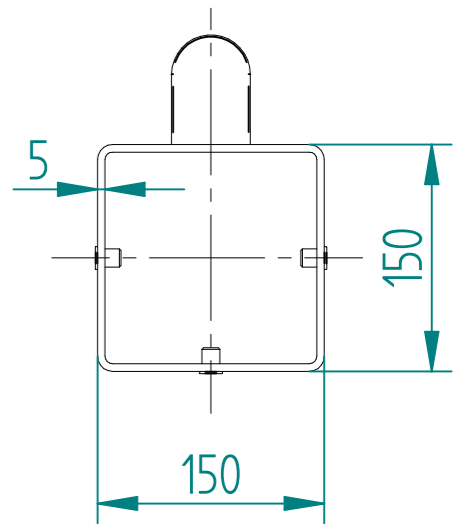
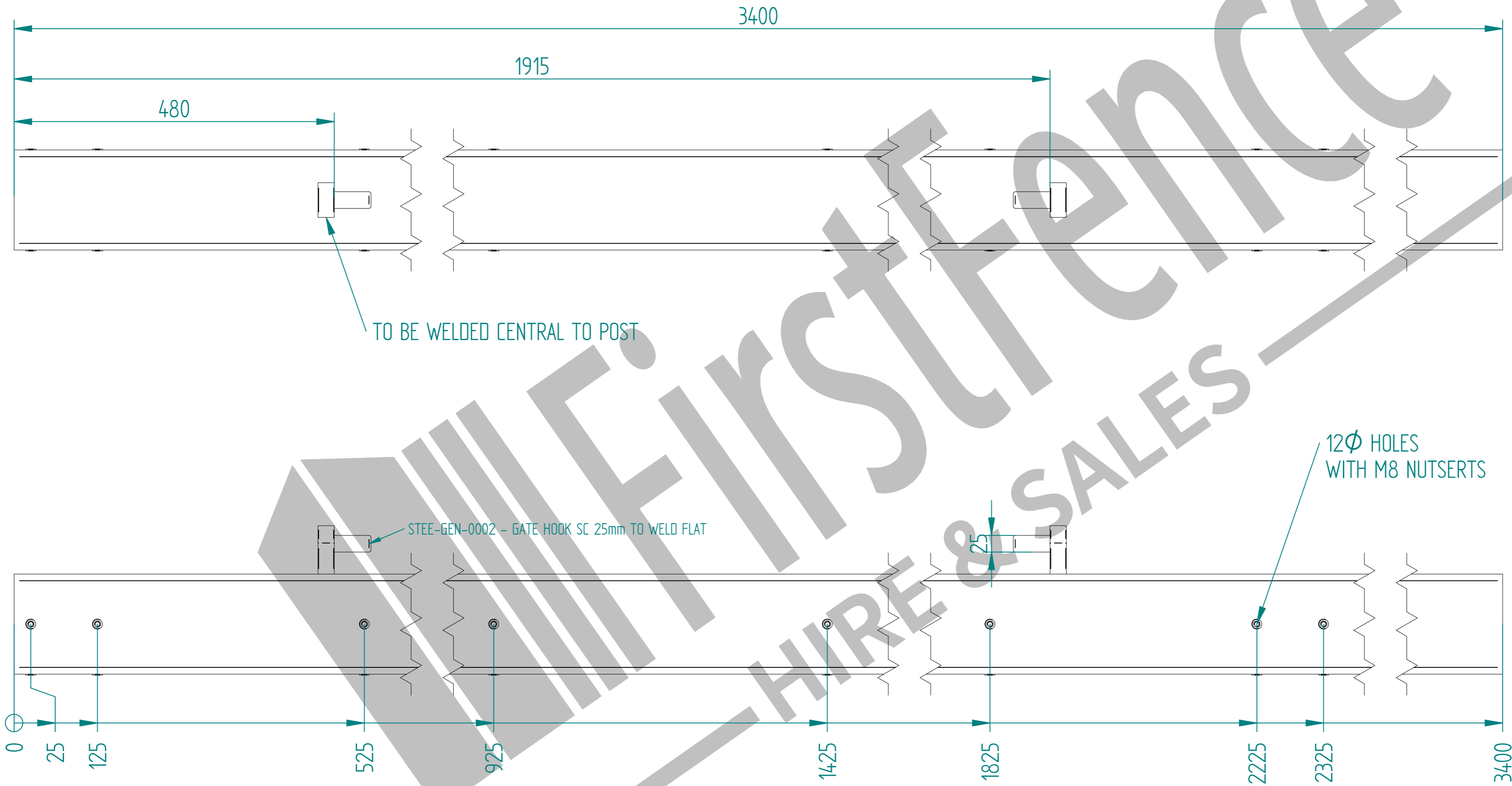
NAME	DATE	TITLE
LT	08/03/22	MESH-KIT-8524 - 2.4m X 7.0m WIDE DOUBLE LEAF DIG IN 358 MESH GATE KIT
TOLERANCE ± 2mm Unless Stated Otherwise		First Fence Ltd, Kiln Way, Swadlincote, Derbyshire, DE11 8EA 01283 512 111 sales@firstfence.co.uk
3RD ANGLE		NOTE: SHOULD ANY DISCREPANCIES BE FOUND WITH THIS DRAWING, PLEASE INFORM FIRSTFENCE. COPYRIGHT OF THIS DRAWING IS OWNED BY FIRSTFENCE LIMITED. SIZE A2 WEIGHT: 425.7 kg REV A



FILE NAME: 2.4m X 7.0m WIDE DOUBLE LEAF 358 MESH GATE KIT.dft

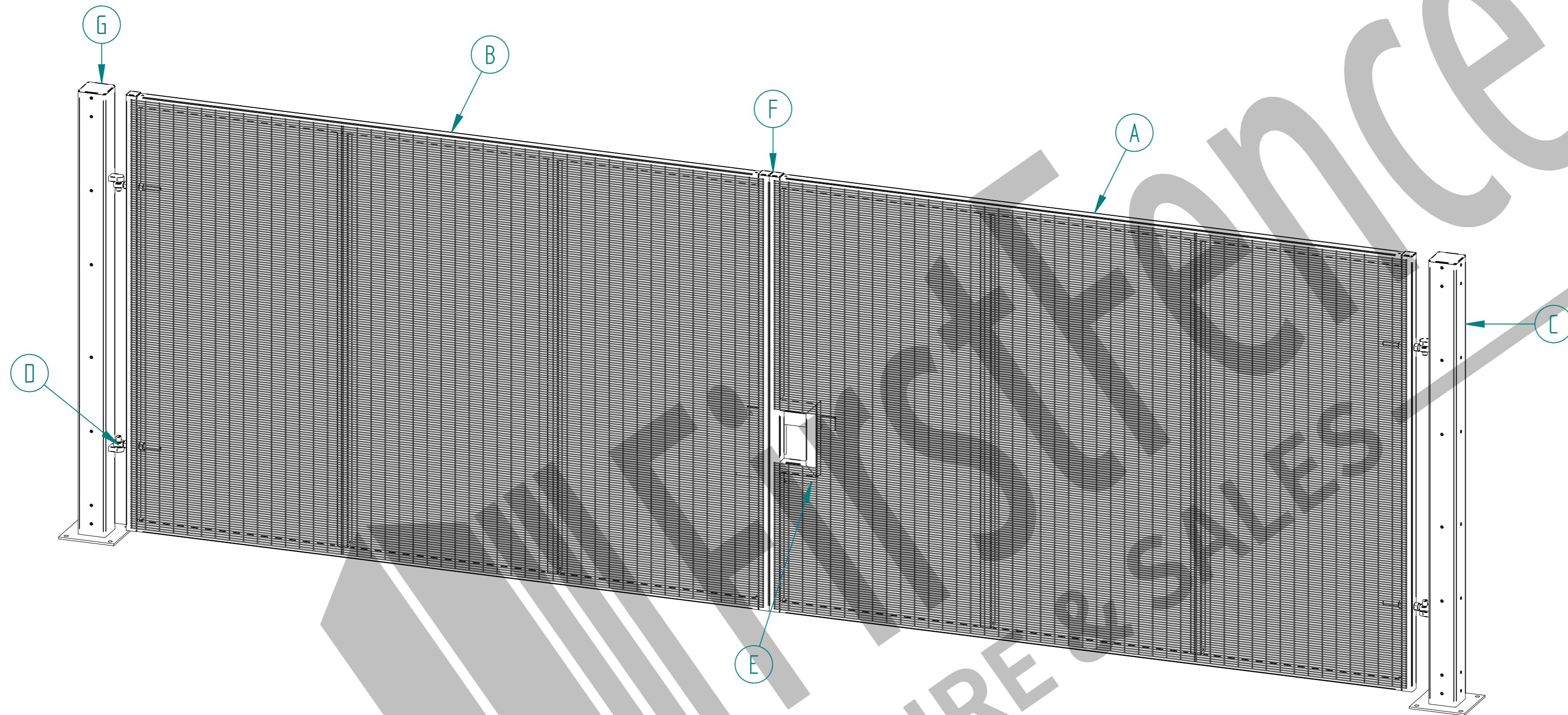
	NAME	DATE	TITLE
DRAWN	LT	08/03/22	MESH-KIT-8524 - 2.4m X 7.0m WIDE DOUBLE LEAF DIG IN 358 MESH GATE KIT
TOLERANCE	± 2mm Unless Stated Otherwise		First Fence Ltd, Kiln Way, Swadlincote, Derbyshire, DE11 8EA 01283 512 111 sales@firstfence.co.uk
3RD ANGLE			
			NOTE: SHOULD ANY DISCREPANCIES BE FOUND WITH THIS DRAWING, PLEASE INFORM FIRSTFENCE COPYRIGHT OF THIS DRAWING IS OWNED BY FIRSTFENCE LIMITED.
			WEIGHT: 425.7 kg
			REV A
			SHEET 2 OF 6

2.4m HIGH DIG IN MESH GATE POST 150X150 BOX SECTION (AL 3400mm)



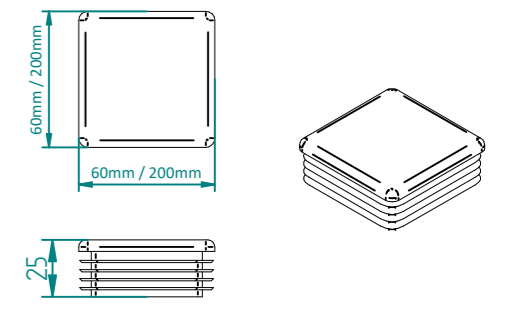
	NAME	DATE	TITLE
DRAWN	LT	08/03/22	MESH-HIN-2442 - 2.4m HIGH DIG IN MESH GATE POST 150X150 BOX SECTION
TOLERANCE	± 2mm Unless Stated Otherwise		First Fence Ltd, Kiln Way, Swadincote, Derbyshire, DE11 8EA 01283 512 111 sales@firstfence.co.uk
3RD ANGLE 			NOTE: SHOULD ANY DISCREPANCIES BE FOUND WITH THIS DRAWING, PLEASE INFORM FIRSTFENCE. COPYRIGHT OF THIS DRAWING IS OWNED BY FIRSTFENCE LIMITED. WEIGHT: 77.4 kg
SIZE	A2	REV	A
			SHEET 3 OF 6

2.4m X 7.0m WIDE DOUBLE LEAF BOLT DOWN 358 MESH GATE KIT

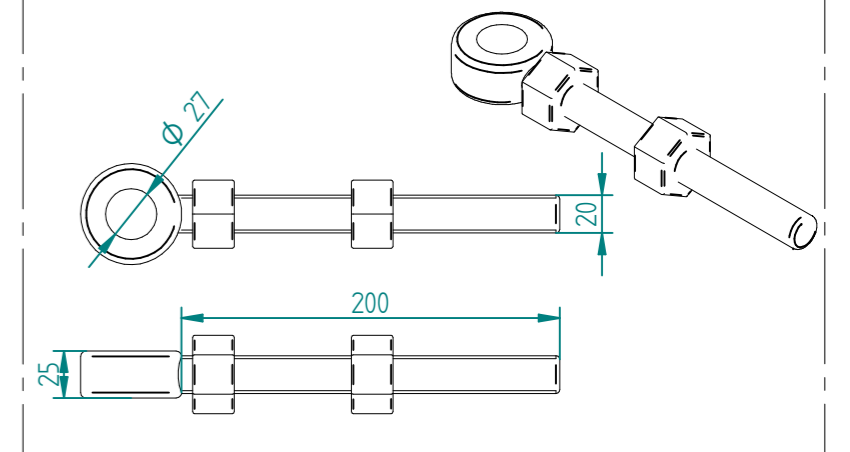


RIGHT HAND HUNG
(From Outside Looking In)

ALL GATES & POSTS ARE TO BE FITTED WITH BLACK PLASTIC INSERTS

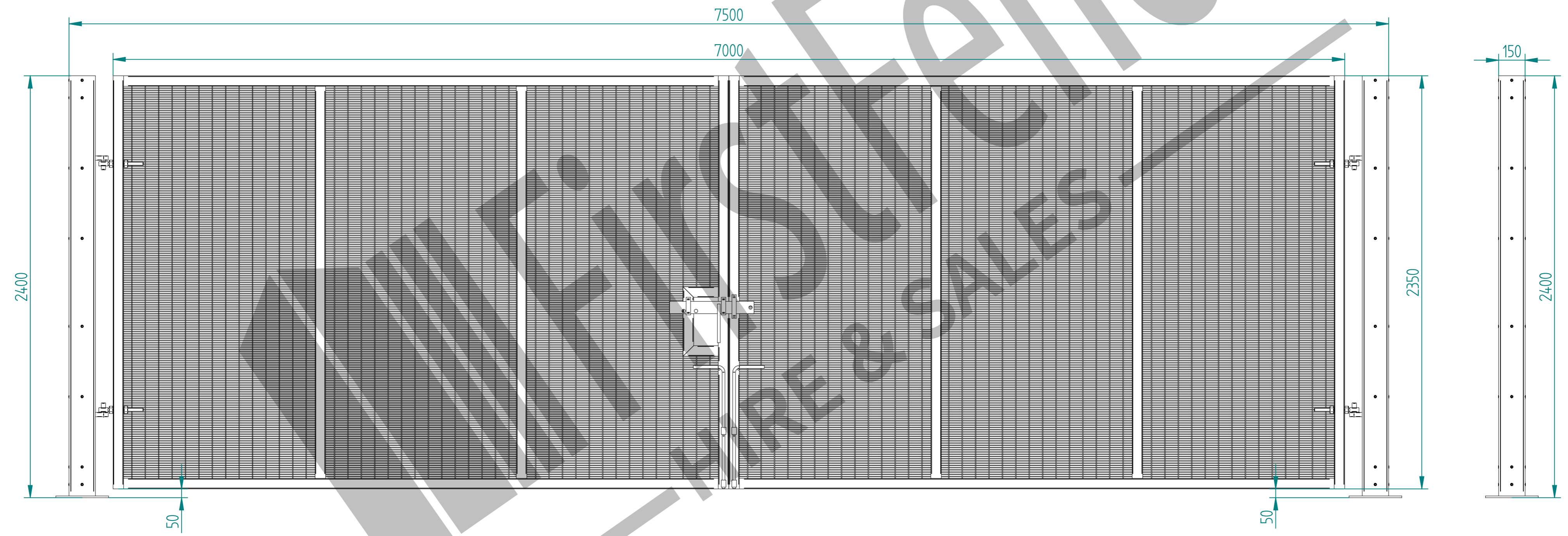
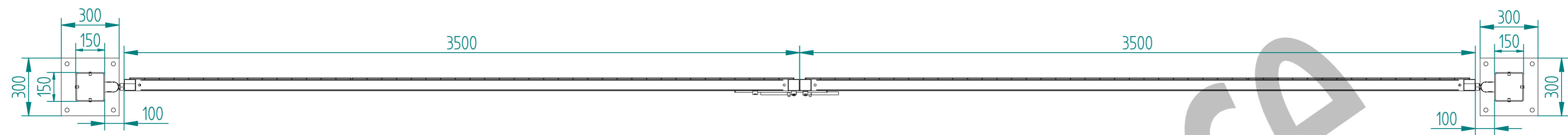


ALL GATES WITH 150x150 / 200x200 BOX SECTION HINGE POSTS ARE TO BE FITTED WITH TWO GALVANISED EYE BOLTS



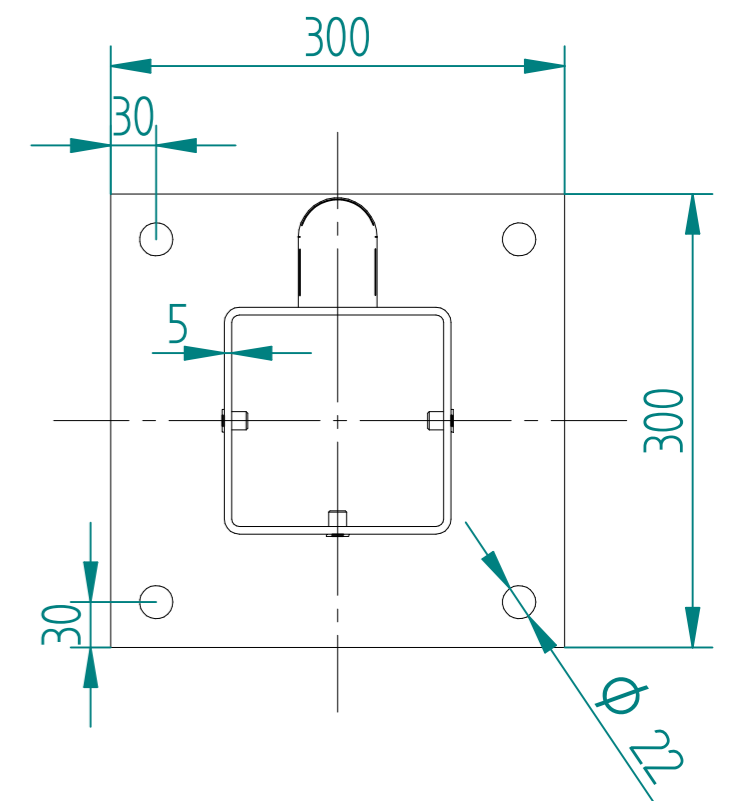
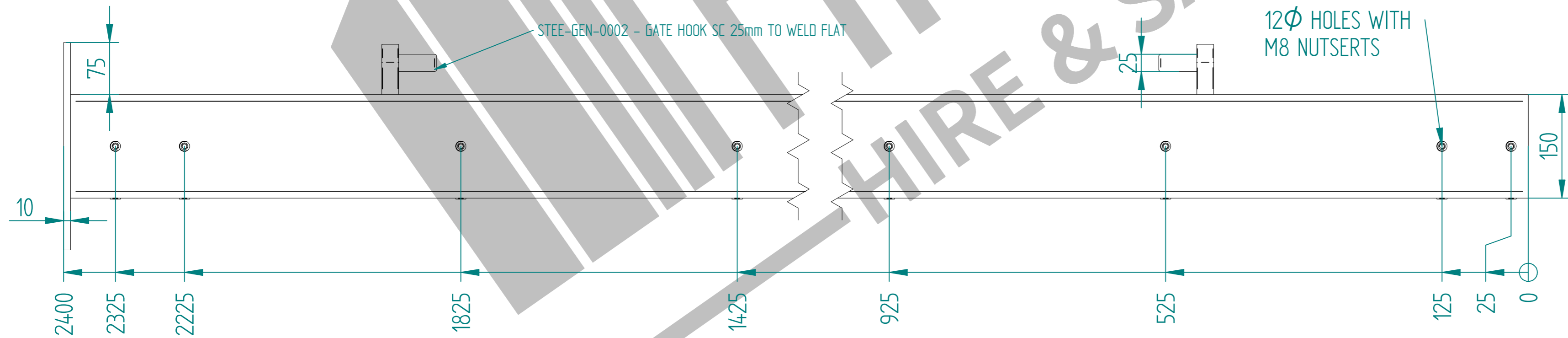
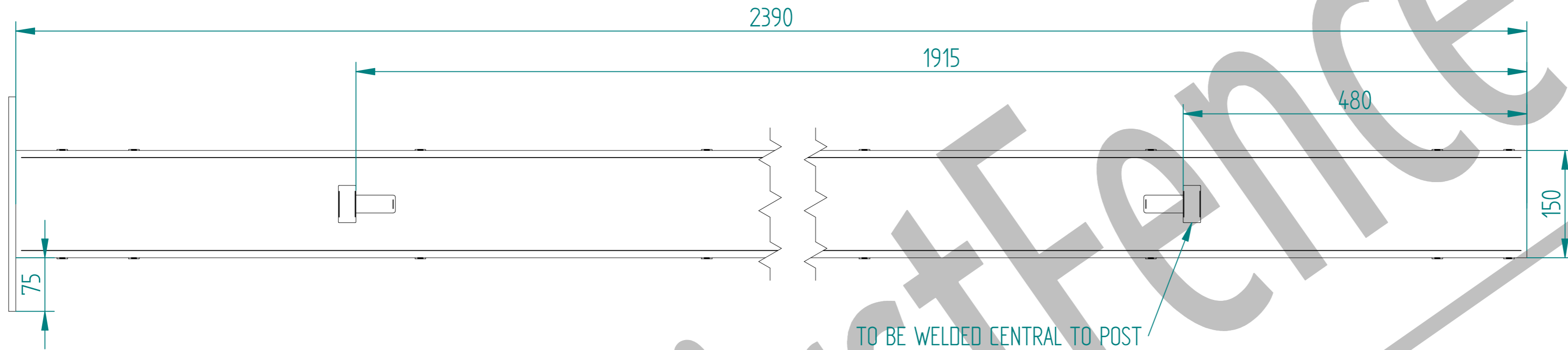
Item	Component Name	Quantity
A	MESH-SLI-4862 - 358 MESH GATE SLIDER 2.4m X 3.5m WIDE	1
B	MESH-CAT-4862 - 358 MESH GATE CATCH 2.4m X 3.5m WIDE	1
C	MESH-HIN-2452 - 2.4m HIGH BOLT DOWN MESH HINGE GATE POST 150X150 BOX SECTION	2
D	ACCS-GEN-0002 - ADJUSTABLE GATE EYE G 200mm cw 25mm	4
E	ACCS-GEN-0101 - UNIVERSAL GATE DROP BOLT	2
F	ACCS-RIB-0003 - 60x60 BLACK RIBBED INSERTS	4
G	ACCS-RIB-0007 - 150x150 BLACK RIBBED INSERTS	2

NAME	DATE	TITLE
LT	08/03/22	MESH-KIT-8525 - 2.4m X 7.0m WIDE DOUBLE LEAF BOLT DOWN 358 MESH GATE KIT
TOLERANCE ± 2mm Unless Stated Otherwise		First Fence Ltd, Kiln Way, Swadlincote, Derbyshire, DE11 8EA 01283 512 111 sales@firstfence.co.uk
3RD ANGLE		NOTE: SHOULD ANY DISCREPANCIES BE FOUND WITH THIS DRAWING, PLEASE INFORM FIRST FENCE. COPYRIGHT OF THIS DRAWING IS OWNED BY FIRST FENCE LIMITED. WEIGHT: 394.7 kg
SIZE A2	REV A	SHEET 4 OF 6



	NAME	DATE	TITLE
DRAWN	LT	08/03/22	MESH-KIT-8525 - 2.4m X 7.0m WIDE DOUBLE LEAF BOLT DOWN 358 MESH GATE KIT
TOLERANCE	± 2mm Unless Stated Otherwise		First Fence Ltd, Kiln Way, Swadincote, Derbyshire, DE11 8EA 01283 512 111 sales@firstfence.co.uk
	3RD ANGLE		
	SIZE	A2	REV A
	WEIGHT: 394.7 kg		SHEET 5 OF 6

2.4m HIGH BOLT DOWN MESH HINGE GATE POST 150X150 BOX SECTION



	NAME	DATE	TITLE
DRAWN	LT	08/03/22	MESH-HIN-2452 - 2.4m HIGH BOLT DOWN MESH HINGE GATE POST 150X150 BOX SECTION
TOLERANCE	± 2mm Unless Stated Otherwise		First Fence Ltd, Kiln Way, Swadlincote, Derbyshire, DE11 8EA 01283 512 111 sales@firstfence.co.uk
3RD ANGLE 			
			SHEET 6 OF 6