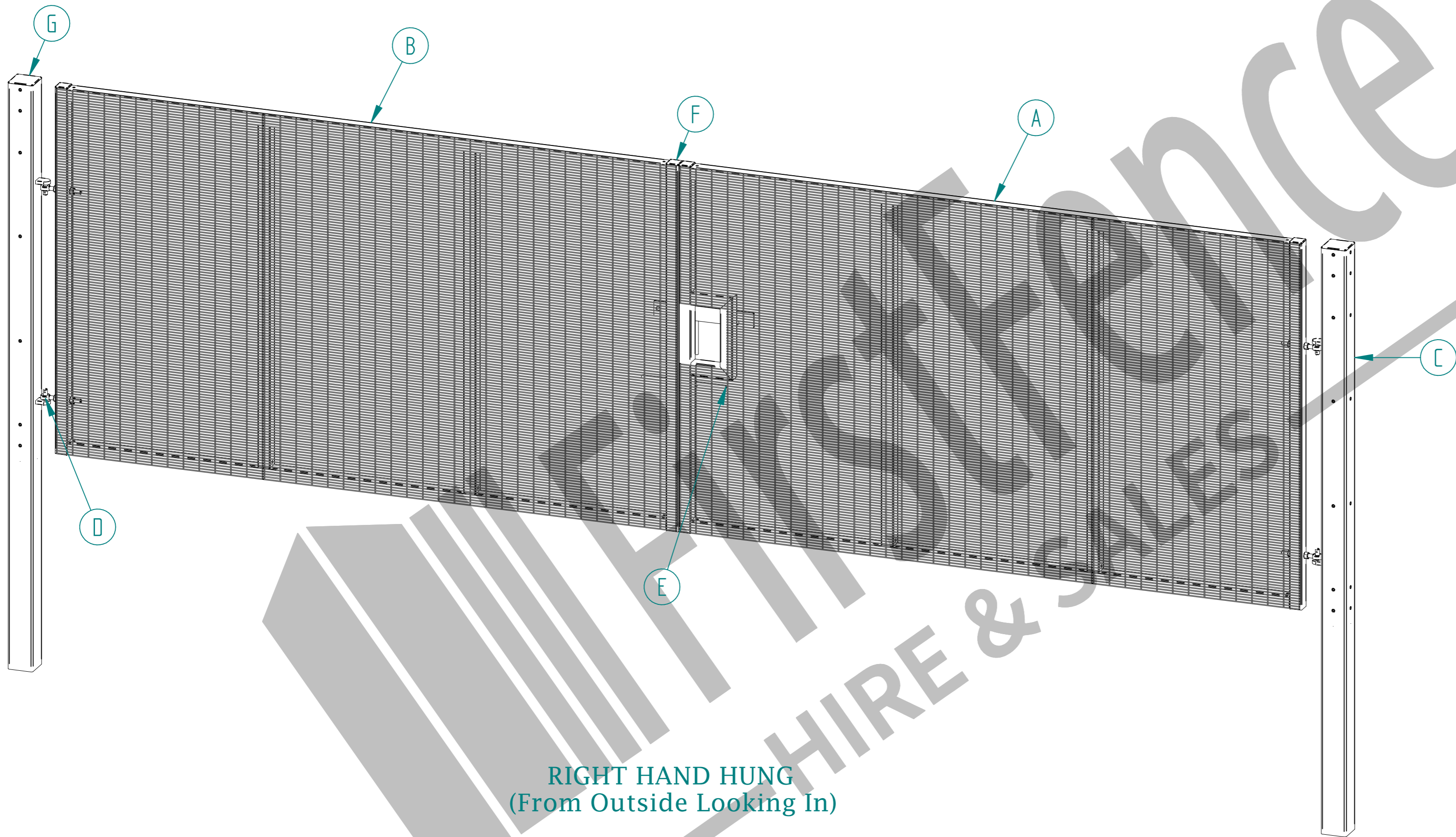
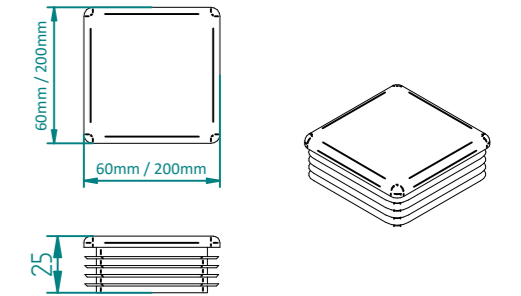


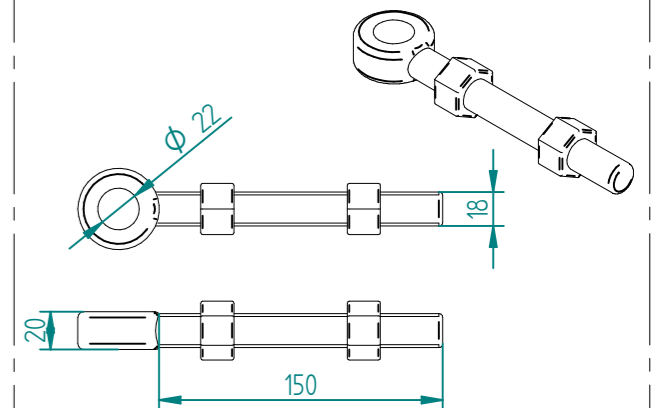
1.8m X 6.0m WIDE DOUBLE LEAF DIG IN 358 MESH GATE KIT



ALL GATES & POSTS ARE TO BE FITTED WITH BLACK PLASTIC INSERTS



ALL GATES WITH 80x80/100x100/120x120 BOX SECTION HINGE POSTS ARE TO BE FITTED WITH TWO GALVANISED EYE BOLTS

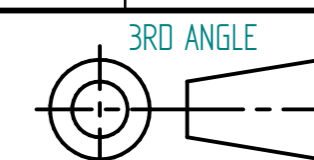


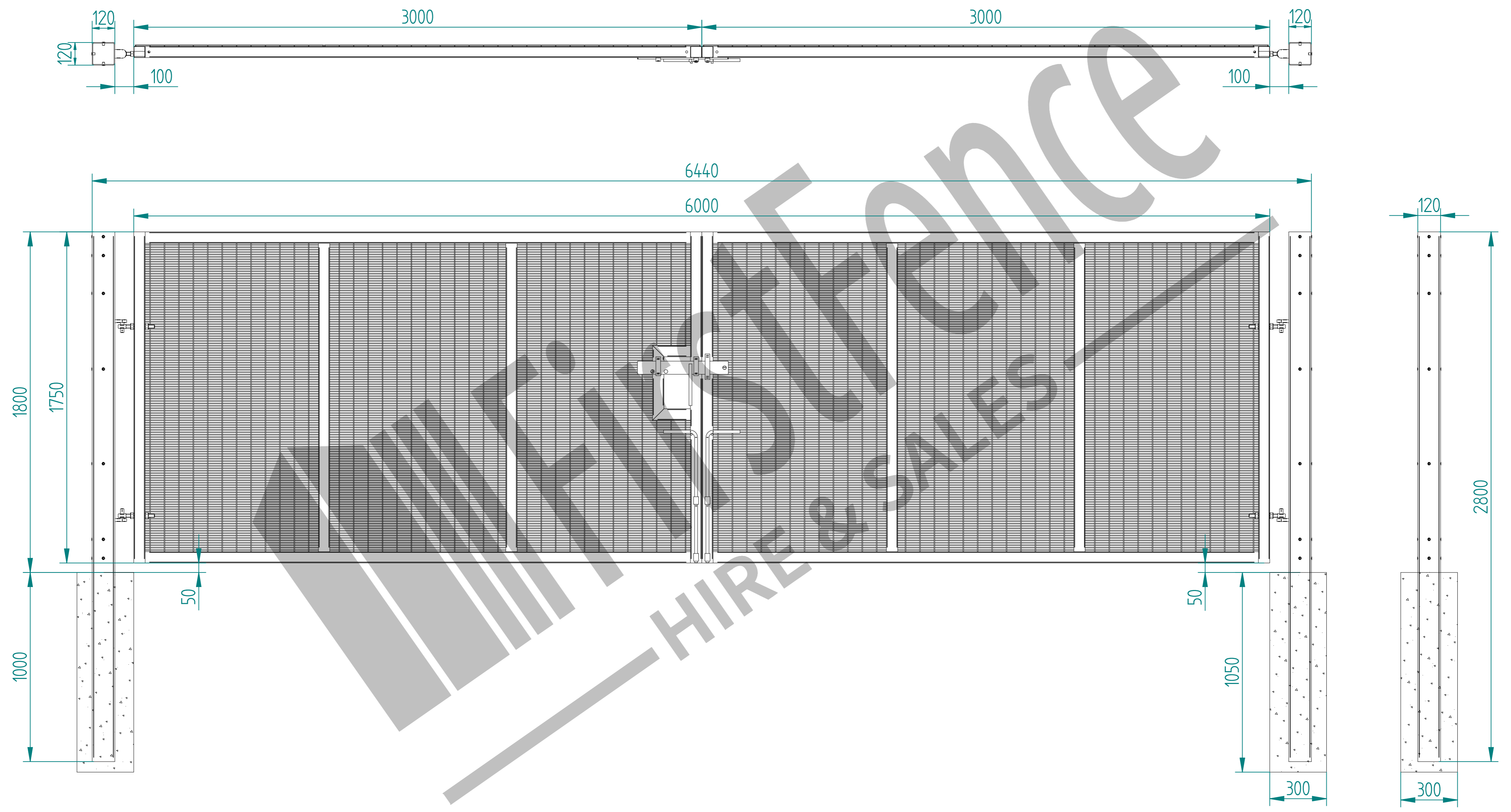
RIGHT HAND HUNG
(From Outside Looking In)

Item	Component Name	Quantity
A	MESH-SLI-3652 - 358 MESH GATE SLIDER 1.8m X 3.0m WIDE	1
B	MESH-CAT-3652 - 358 MESH GATE CATCH 1.8m X 3.0m WIDE	1
C	MESH-HIN-1836 - 1.8m HIGH DIG IN MESH HINGE GATE POST 120X120 BOX SECTION	2
D	ACCS-GEN-0001 - ADJUSTABLE GATE EYE BZP 130-150mm CW 20	4
E	ACCS-GEN-0101 - UNIVERSAL GATE DROP BOLT	2
F	ACCS-RIB-0003 - 60x60 BLACK RIBBED INSERTS	4
G	ACCS-RIB-0020 - 120x120 BLACK RIBBED INSERT	2

Rev	Comments	Date
B	Hinge Post Increased In Size	04/05/22
A	New Revised Drawing	14/07/21

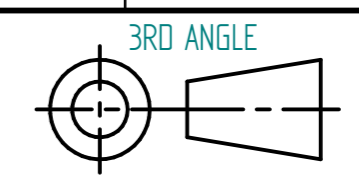
NAME	DATE	TITLE
LT	04/05/22	MESH-KIT-8404 - 1.8m X 6.0m WIDE DOUBLE LEAF DIG IN 358 MESH GATE KIT
TOLERANCE ± 2mm Unless Stated Otherwise		First Fence Ltd, Kiln Way, Swadlincote, Derbyshire, DE11 8EA 01283 512 111 sales@firstfence.co.uk
SIZE A2	NOTE: SHOULD ANY DISCREPANCIES BE FOUND WITH THIS DRAWING, PLEASE INFORM FIRSTFENCE. COPYRIGHT OF THIS DRAWING IS OWNED BY FIRSTFENCE LIMITED.	REV B
WEIGHT: 275.8 kg		SHEET 1 OF 6



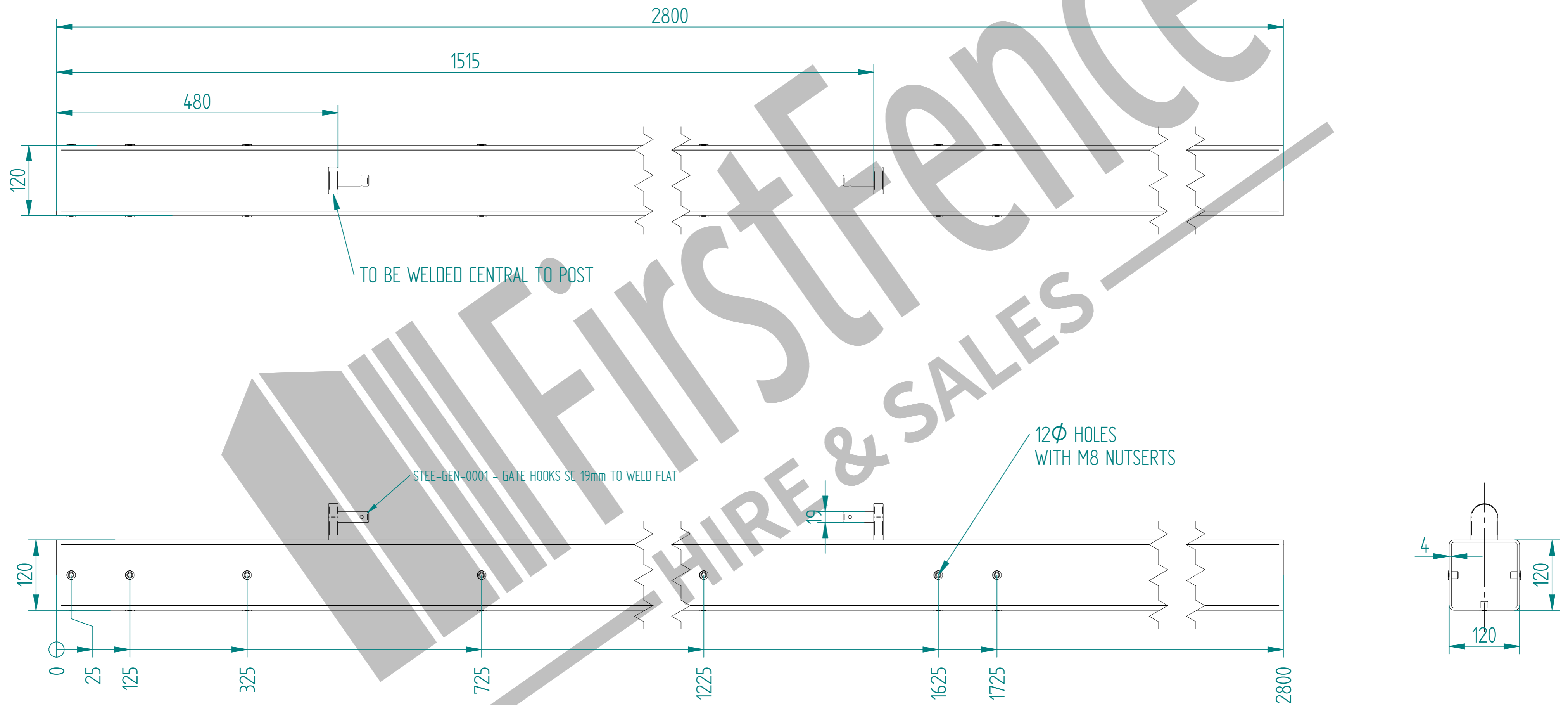


Rev	Comments	Date
B	Hinge Post Increased In Size	04/05/22
A	New Revised Drawing	14/07/21

NAME	DATE	TITLE
LT	04/05/22	MESH-KIT-8404 - 1.8m X 6.0m WIDE DOUBLE LEAF DIG IN 358 MESH GATE KIT
TOLERANCE ± 2mm Unless Stated Otherwise		First Fence Ltd, Kiln Way, Swadlincote, Derbyshire, DE11 8EA 01283 512 111 sales@firstfence.co.uk
SIZE A2	NOTE: SHOULD ANY DISCREPANCIES BE FOUND WITH THIS DRAWING, PLEASE INFORM FIRST FENCE. COPYRIGHT OF THIS DRAWING IS OWNED BY FIRST FENCE LIMITED.	
WEIGHT: 275.8 kg		REV B

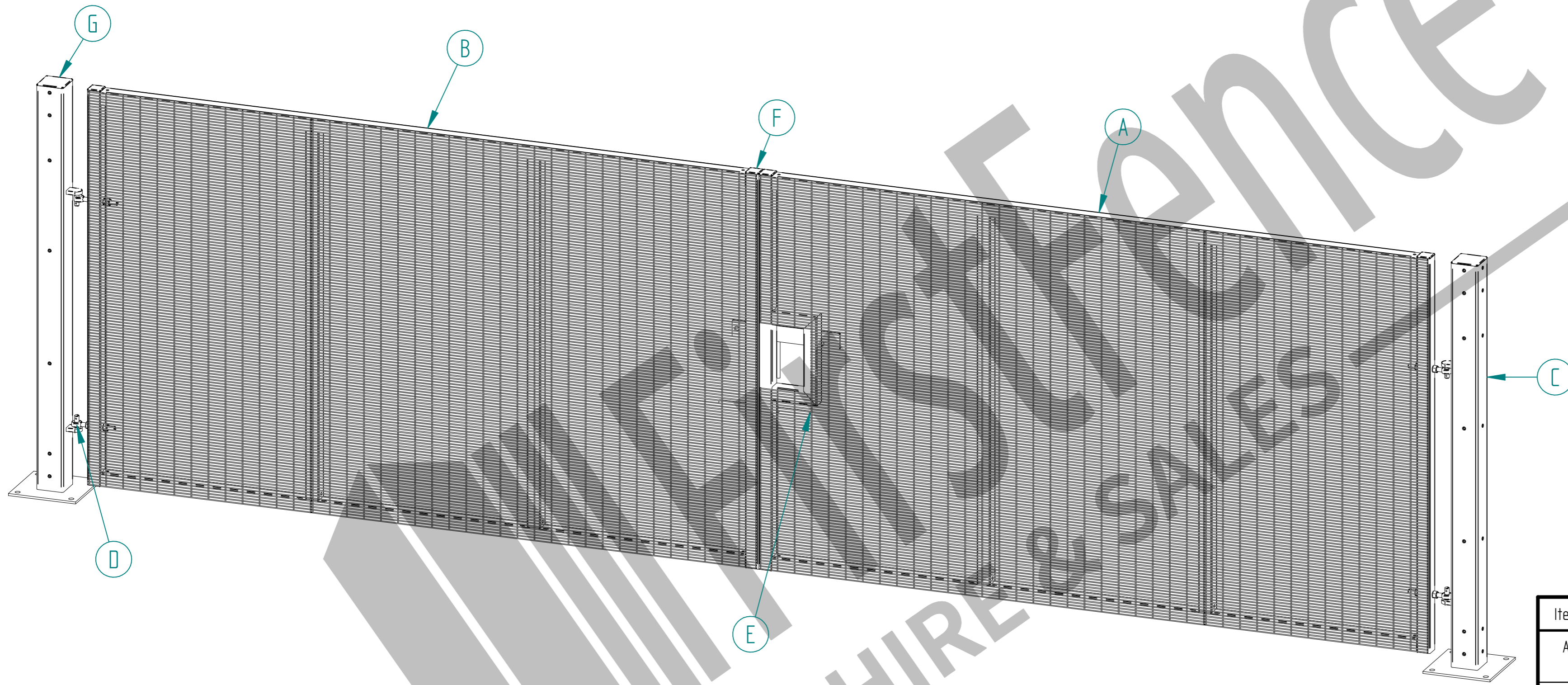


1.8m HIGH DIG IN MESH HINGE GATE POST 120X120 BOX SECTION (AL 2800mm)



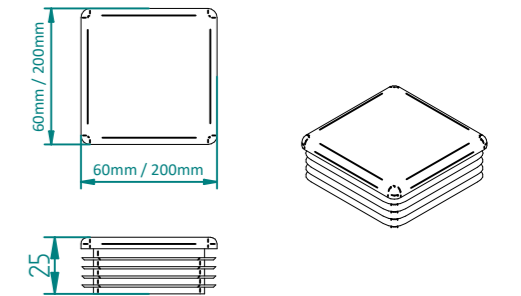
NAME	DATE	TITLE
LT	04/05/22	MESH-HIN-1836 - 1.8m HIGH DIG IN MESH HINGE GATE POST 120X120 BOX SECTION
TOLERANCE	$\pm 2mm$ Unless Stated Otherwise	FirstFence® First Fence Ltd, Kiln Way, Swadlincote, Derbyshire, DE11 8EA 01283 512 111 sales@firstfence.co.uk
3RD ANGLE	NOTE: SHOULD ANY DISCREPANCIES BE FOUND WITH THIS DRAWING, PLEASE INFORM FIRSTFENCE COPYRIGHT OF THIS DRAWING IS OWNED BY FIRSTFENCE LIMITED.	REV B
SIZE A2	WEIGHT: 40.8 kg	SHEET 3 OF 6

1.8m X 6.0m WIDE DOUBLE LEAF BOLT DOWN 358 MESH GATE KIT

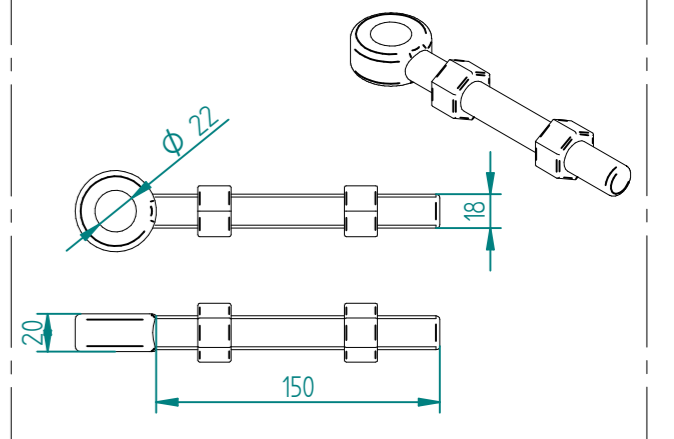


RIGHT HAND HUNG
(From Outside Looking In)

ALL GATES & POSTS ARE TO BE FITTED WITH BLACK PLASTIC INSERTS



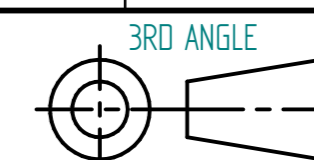
ALL GATES WITH 80x80/100x100/120x120 BOX SECTION HINGE POSTS ARE TO BE FITTED WITH TWO GALVANISED EYE BOLTS

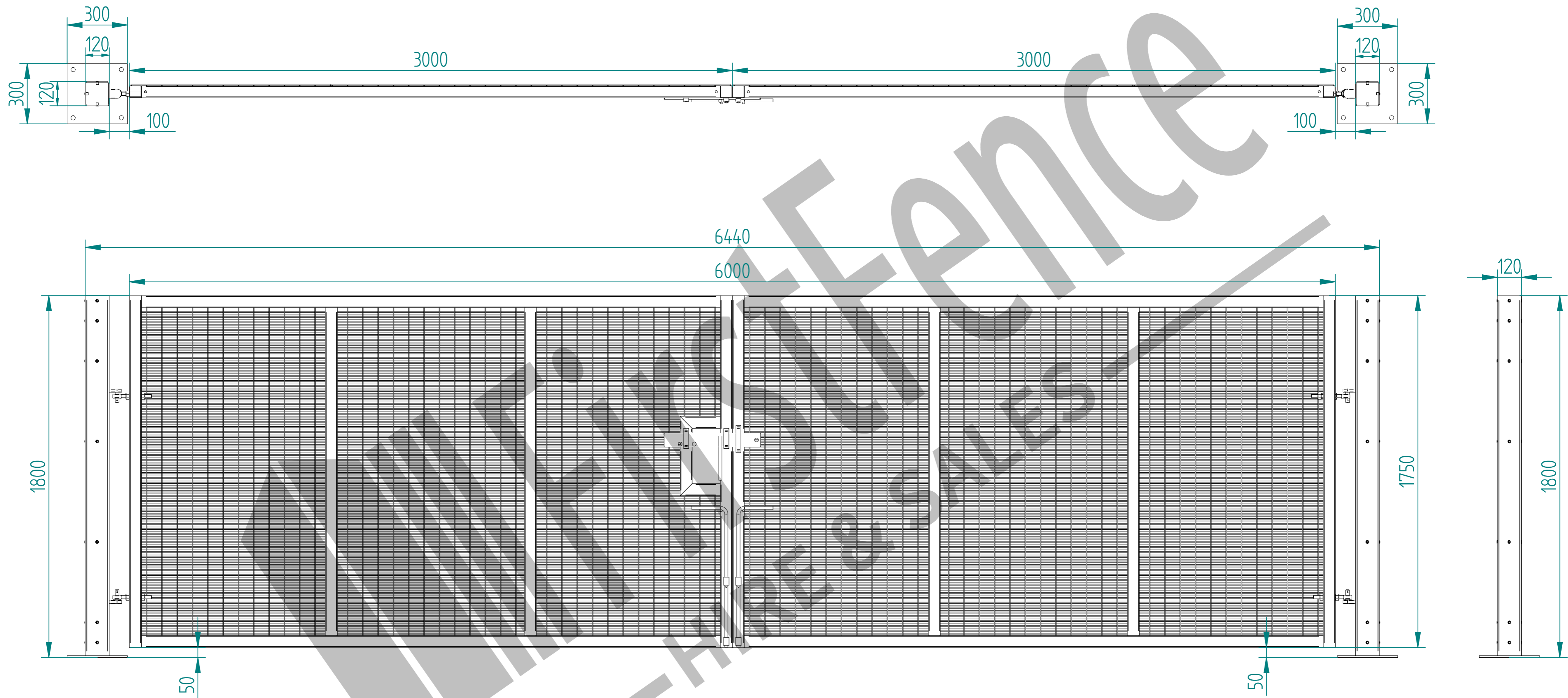


Item	Component Name	Quantity
A	MESH-SLI-3652 - 358 MESH GATE SLIDER 1.8m X 3.0m WIDE	1
B	MESH-CAT-3652 - 358 MESH GATE CATCH 1.8m X 3.0m WIDE	1
C	MESH-HIN-1838 - 1.8m HIGH BOLT DOWN MESH HINGE GATE POST 120X120 BOX SECTION	2
D	ACCS-GEN-0001 - ADJUSTABLE GATE EYE BZP 130-150mm CW 20	4
E	ACCS-GEN-0101 - UNIVERSAL GATE DROP BOLT	2
F	ACCS-RIB-0003 - 60x60 BLACK RIBBED INSERTS	4
G	ACCS-RIB-0020 - 120x120 BLACK RIBBED INSERT	2


B	Hinge Post Increased In Size	04/05/22
A	New Revised Drawing	14/07/21
Rev	Comments	Date

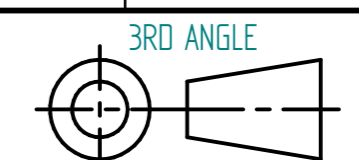
NAME	DATE	TITLE
LT	04/05/22	MESH-KIT-8405 - 1.8m X 6.0m WIDE DOUBLE LEAF BOLT DOWN 358 MESH GATE KIT
TOLERANCE ± 2mm Unless Stated Otherwise		First Fence Ltd, Kiln Way, Swadlincote, Derbyshire, DE11 8EA 01283 512 111 sales@firstfence.co.uk
SIZE A2	NOTE: SHOULD ANY DISCREPANCIES BE FOUND WITH THIS DRAWING, PLEASE INFORM FIRSTFENCE. COPYRIGHT OF THIS DRAWING IS OWNED BY FIRSTFENCE LIMITED.	
WEIGHT: 260.3 kg		REV B



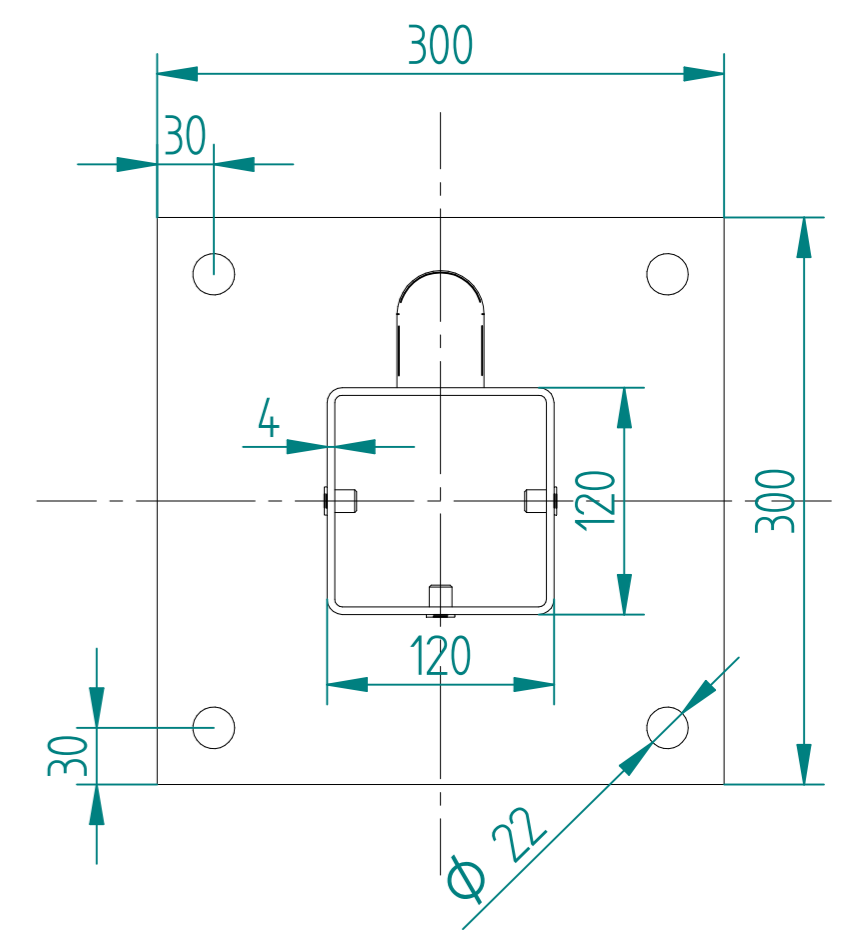
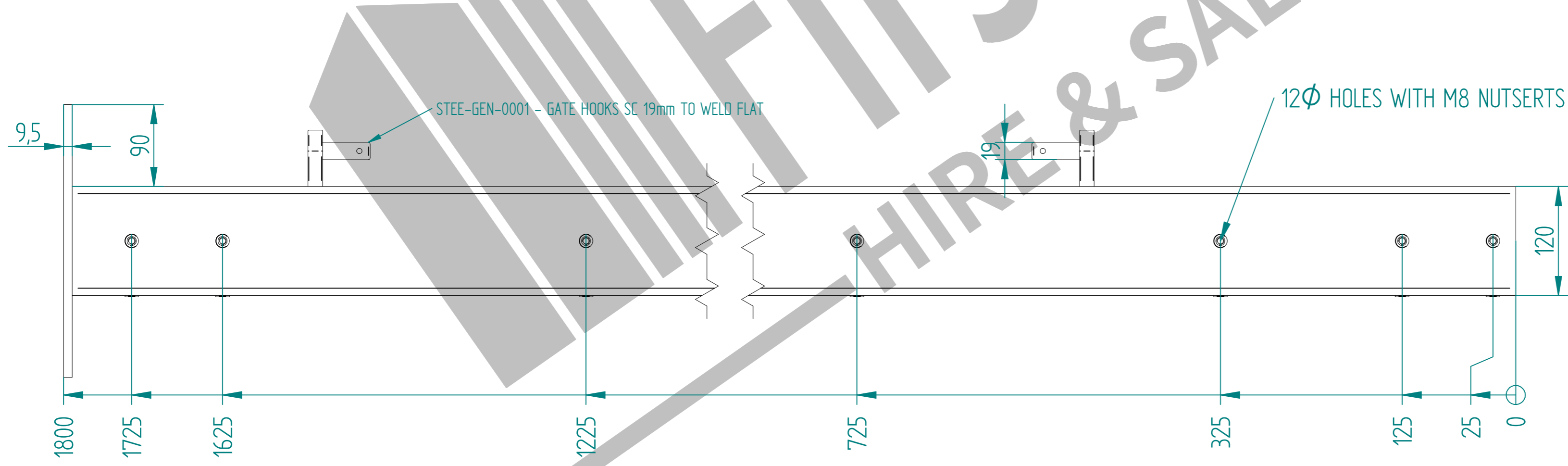
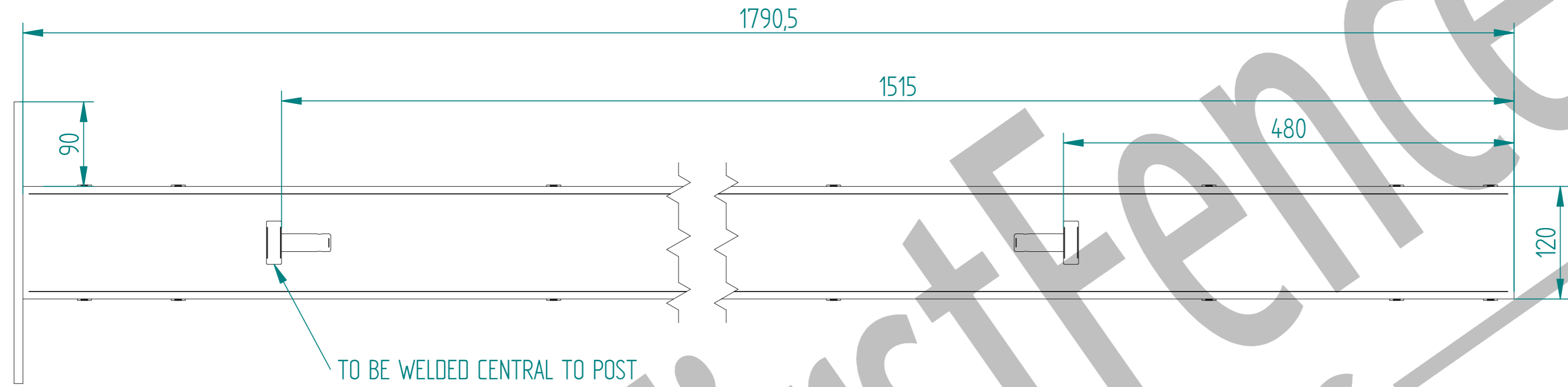


Rev	Comments	Date
B	Hinge Post Increased In Size	04/05/22
A	New Revised Drawing	14/07/21

NAME	DATE	TITLE
LT	04/05/22	MESH-KIT-8405 - 1.8m X 6.0m WIDE DOUBLE LEAF BOLT DOWN 358 MESH GATE KIT
TOLERANCE ± 2mm Unless Stated Otherwise		 First Fence Ltd, Kiln Way, Swadincote, Derbyshire, DE11 8EA 01283 512 111 sales@firstfence.co.uk
SIZE A2	NOTE: SHOULD ANY DISCREPANCIES BE FOUND WITH THIS DRAWING, PLEASE INFORM FIRST FENCE. COPYRIGHT OF THIS DRAWING IS OWNED BY FIRST FENCE LIMITED.	REV B
WEIGHT: 260.3 kg		SHEET 5 OF 6



1.8m HIGH BOLT DOWN MESH HINGE GATE POST 120X120 BOX SECTION



	NAME	DATE	TITLE
DRAWN	LT	04/05/22	MESH-HIN-1838 - 1.8m HIGH BOLT DOWN MESH HINGE GATE POST 120X120 BOX SECTION
TOLERANCE	± 2mm Unless Stated Otherwise		First Fence Ltd, Kiln Way, Swadlincote, Derbyshire, DE11 8EA 01283 512 111 sales@firstfence.co.uk
3RD ANGLE			NOTE: SHOULD ANY DISCREPANCIES BE FOUND WITH THIS DRAWING, PLEASE INFORM FIRSTFENCE. COPYRIGHT OF THIS DRAWING IS OWNED BY FIRSTFENCE LIMITED. SIZE A2 WEIGHT: 33.0 kg
			REV B
			SHEET 6 OF 6