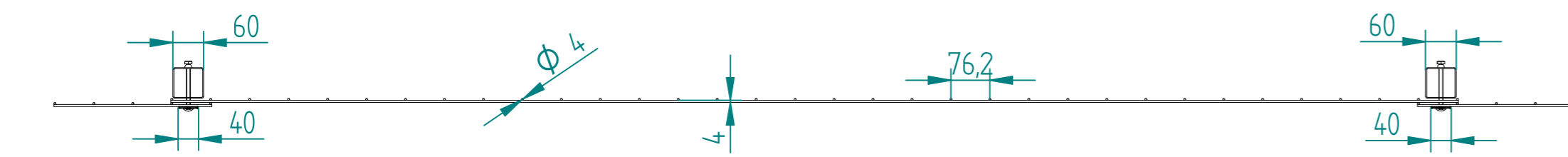


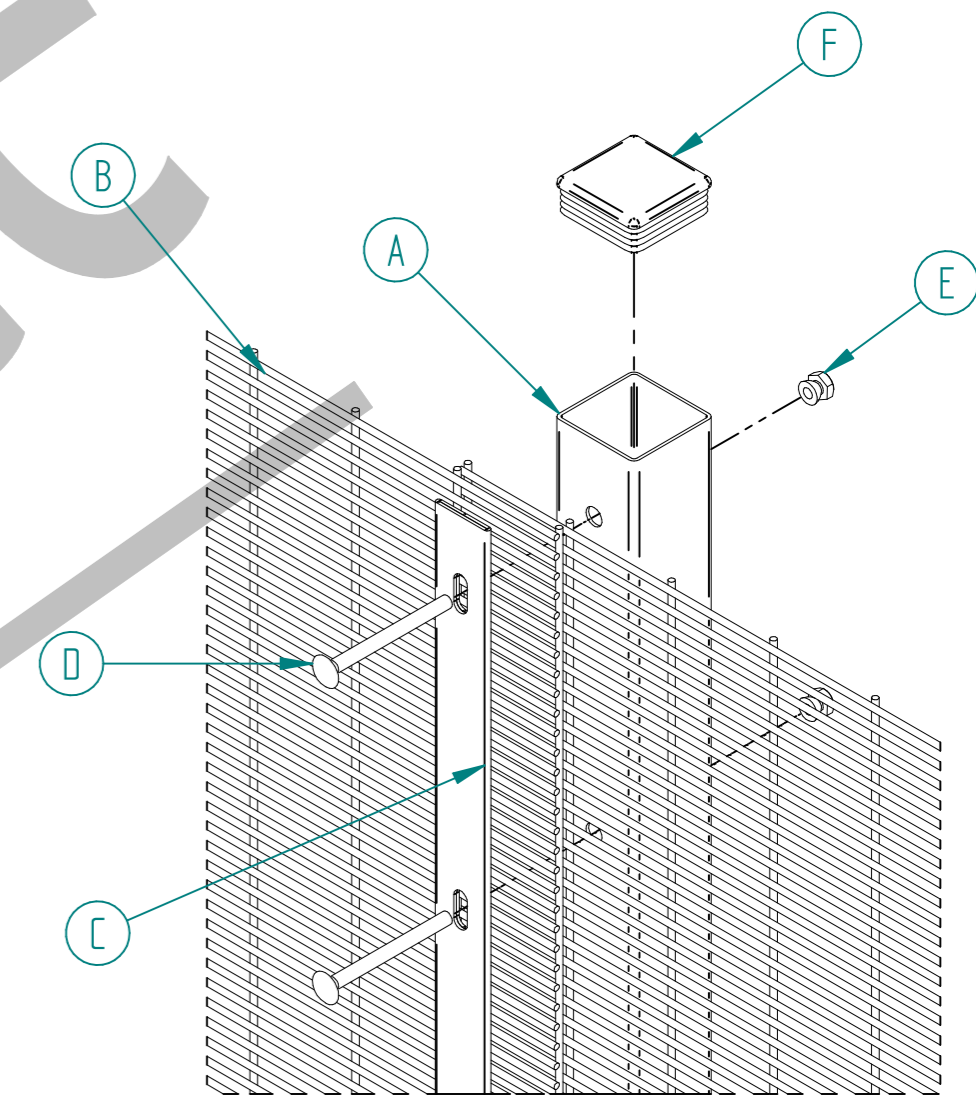
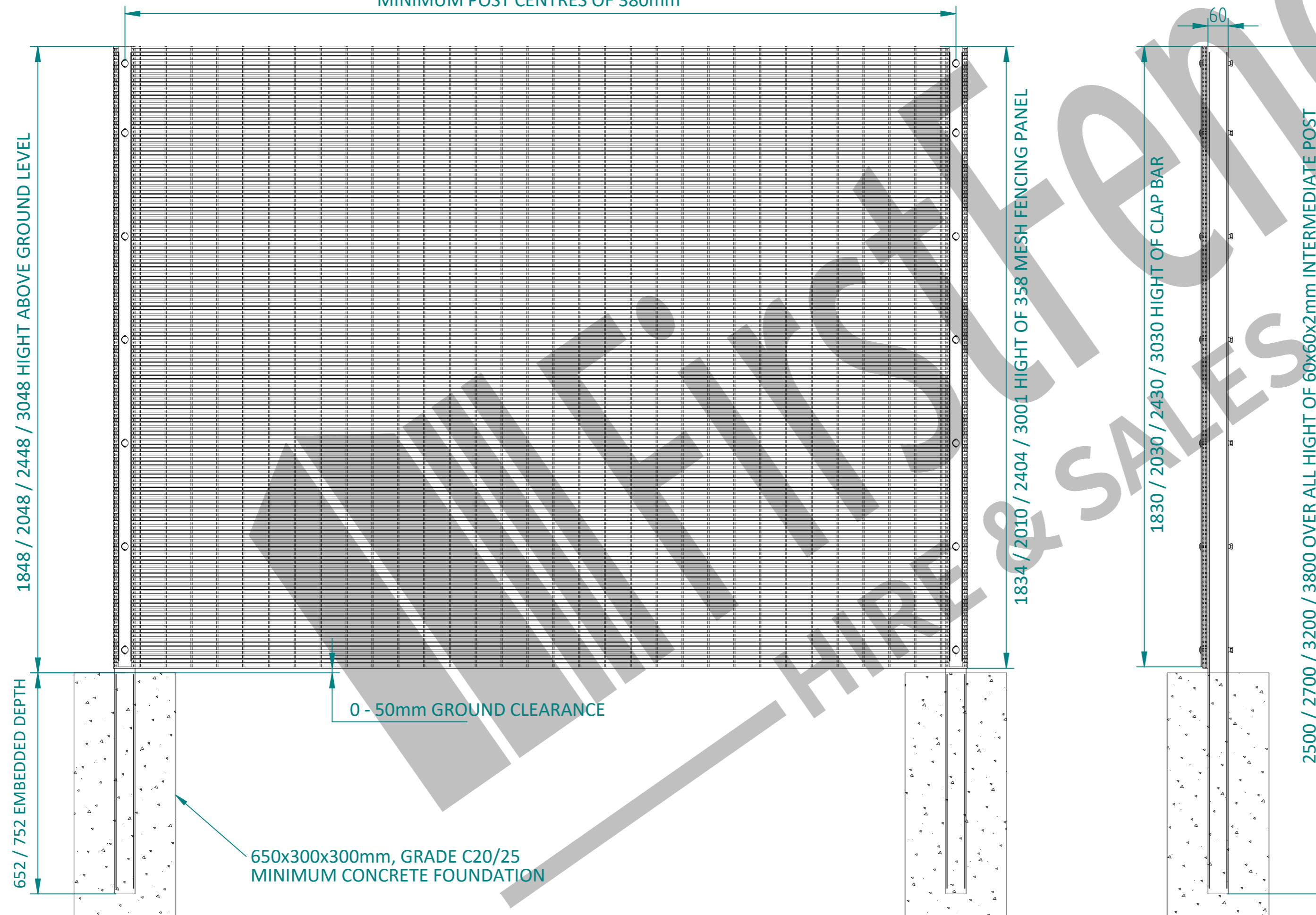


NOTES:

- ALL MATERIALS TO BE MILD STEEL AND CONFORM TO RELEVANT BRITISH STANDARDS.
- ALL ITEMS TO BE PRE-GALVANISED TO BS EN 10346 OR HOT DIP GALVANISED TO ISO 1461
- ITEMS CAN BE POWDER COATED ON REQUEST, POWDER COATING TO - BS EN 13438
- INSTALLATION VIA RAMS



2450mm - 2500mm STANDARD POST CENTRES  
MINIMUM POST CENTRES OF 380mm



Exploded View

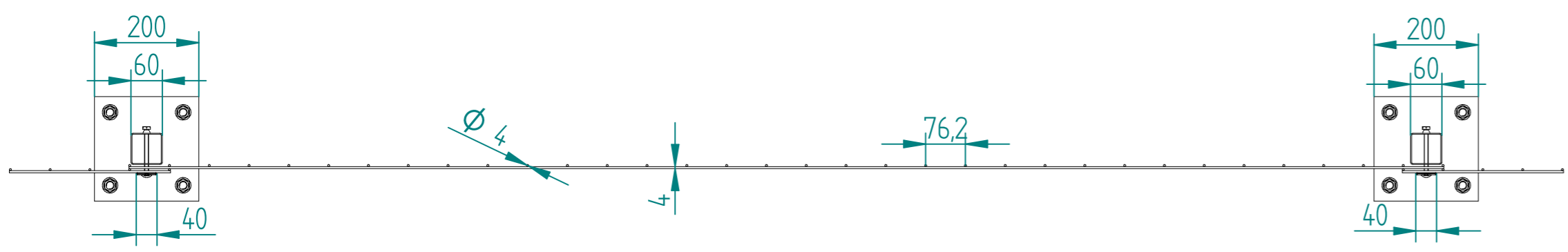
Item	Standard Fencing Kit Components	Quantity
A	60x60x2mm DIG IN INTERMEDIATE POST	1
B	358 MESH FENCING PANEL	1
C	CLAMP BAR 40X4MM / CLAMP BAR 40X5MM	1
D	M8 x 100mm CUP HEAD GALVANISED BOLTS GRADE 8.8	Min 7
E	M8 SNAP OFF NUT FOR SECURITY BOLTS GRADE 8.8	Min 7
F	60x60 BLACK RIBBED INSERTS	1

NAME	DATE	TITLE
LT	15/12/23	1.8m - 3.0m HIGH 358 MESH FENCING KIT DETAILS
TOLERANCE	N/A	
		<b>FirstFence</b> <small>First Fence Ltd, Kiln Way, Swadlincote, Derbyshire, DE11 8EA          01283 512 111 sales@firstfence.co.uk</small>
SIZE	NOTE: SHOULD ANY DISCREPANCIES BE FOUND WITH THIS DRAWING, PLEASE INFORM FIRSTFENCE. COPYRIGHT OF THIS DRAWING IS OWNED BY FIRSTFENCE LIMITED.	REV
A2		B
WEIGHT: N/A		SHEET 1 OF 6

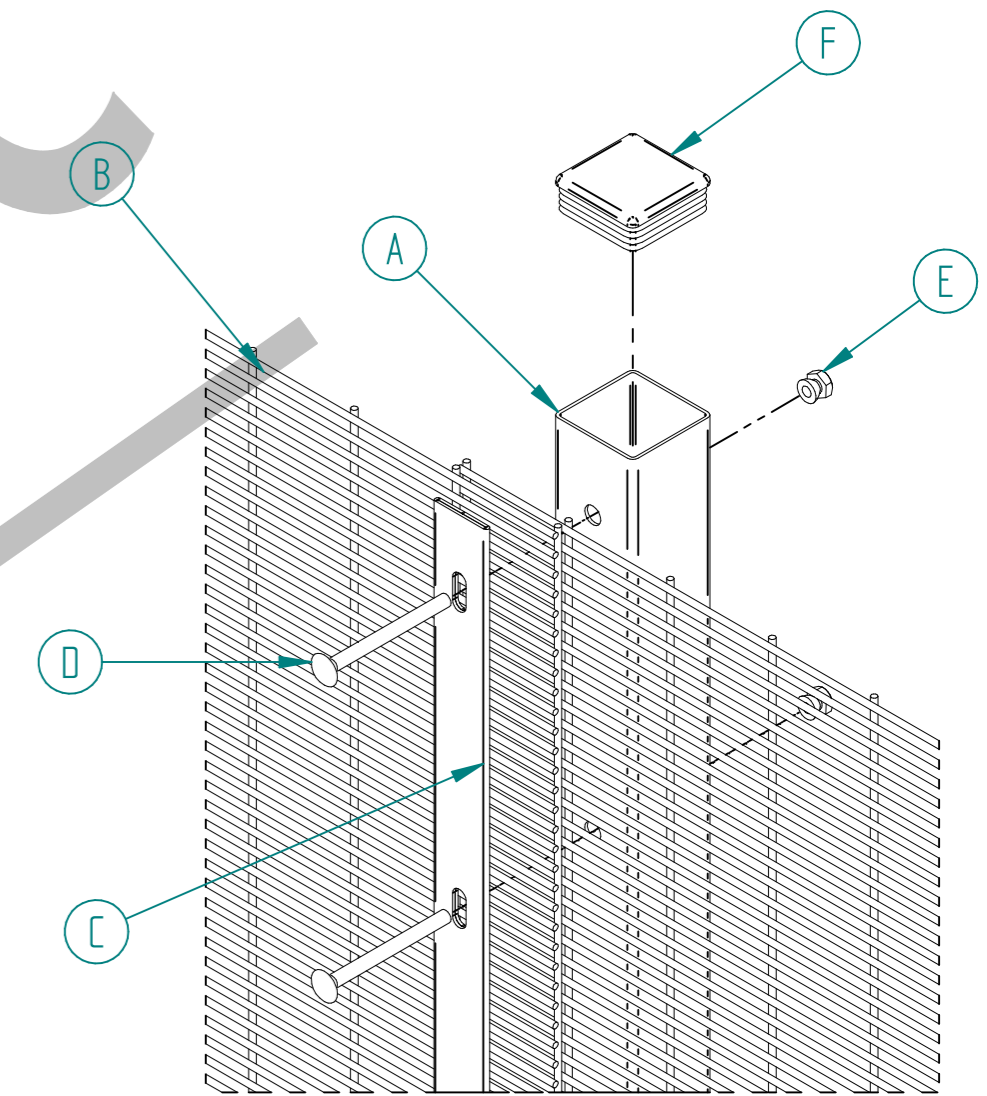
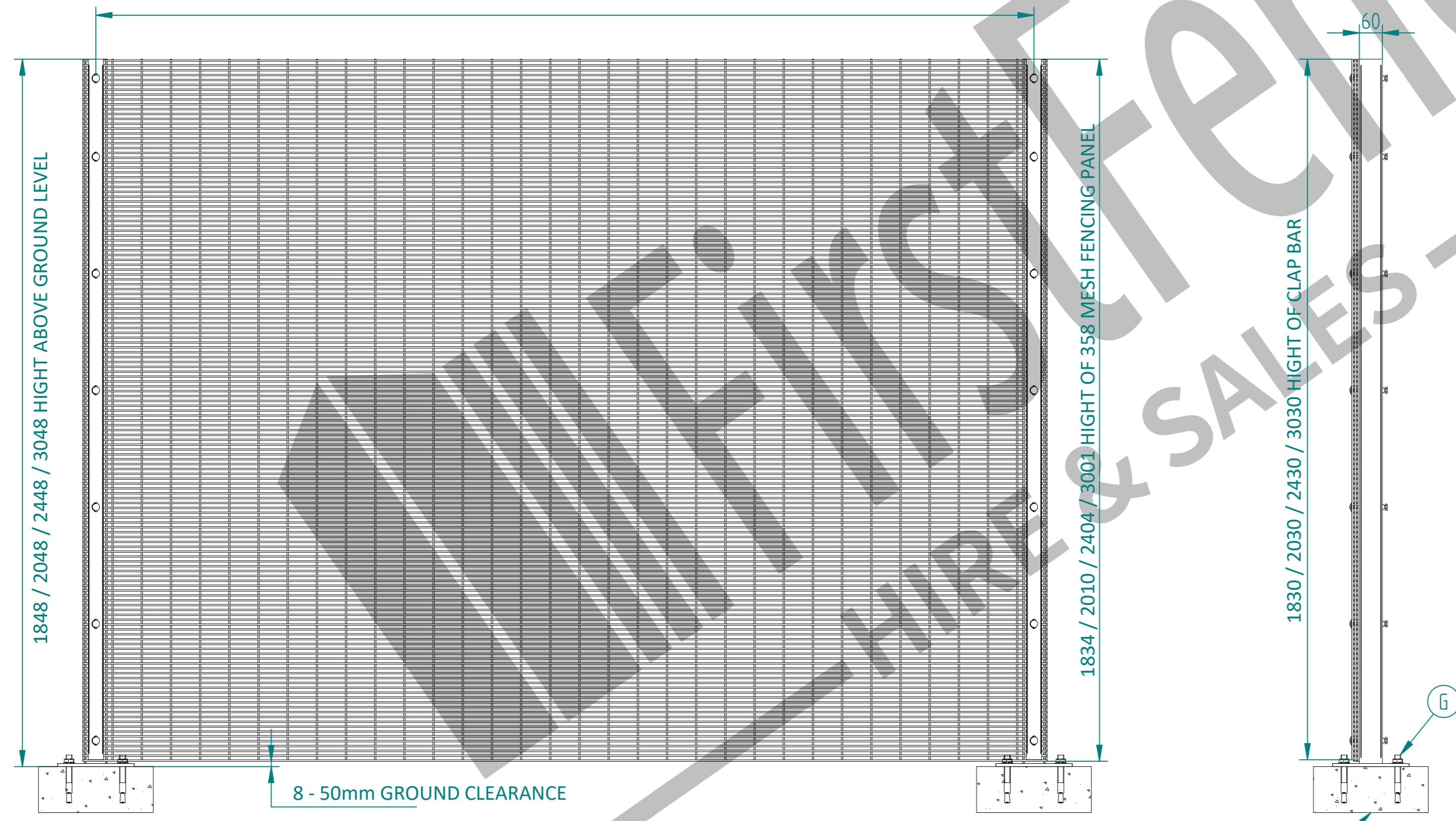


NOTES:

- ALL MATERIALS TO BE MILD STEEL AND CONFORM TO RELEVANT BRITISH STANDARDS.
- ALL ITEMS TO BE PRE-GALVANISED TO BS EN 10346 OR HOT DIP GALVANISED TO ISO 1461
- ITEMS CAN BE POWDER COATED ON REQUEST, POWDER COATING TO : BS EN 13438
- INSTALLATION VIA RAMS
- BOLT DOWN FIXING : REV THROUGH BOLTS ETA\_AWA\_RE02



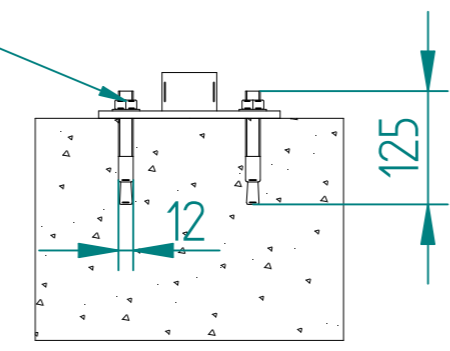
2450mm - 2500mm STANDARD POST CENTRES  
MINIMUM POST CENTRES OF 380mm



Exploded View

Item	Standard Fencing Kit Components	Quantity
A	60x60x2mm BOLT DOWN INTERMEDIATE POST	1
B	358 MESH FENCING PANEL	1
C	CLAMP BAR 40X4MM / CLAMP BAR 40X5MM	1
D	M8 x 100mm CUP HEAD GALVANISED BOLTS GRADE 8.8	Min 7
E	M8 SNAP OFF NUT FOR SECURITY BOLTS GRADE 8.8	Min 7
F	60x60 BLACK RIBBED INSERTS	1
G	M12 x 125mm GROUND ANCHOR BZP GRADE 5.8	4

Min of 4 NO. M12x125mm ANCHOR BOLTS FITTED IN ACCORDANCE WITH MANUFACTURERS INSTRUCTIONS.



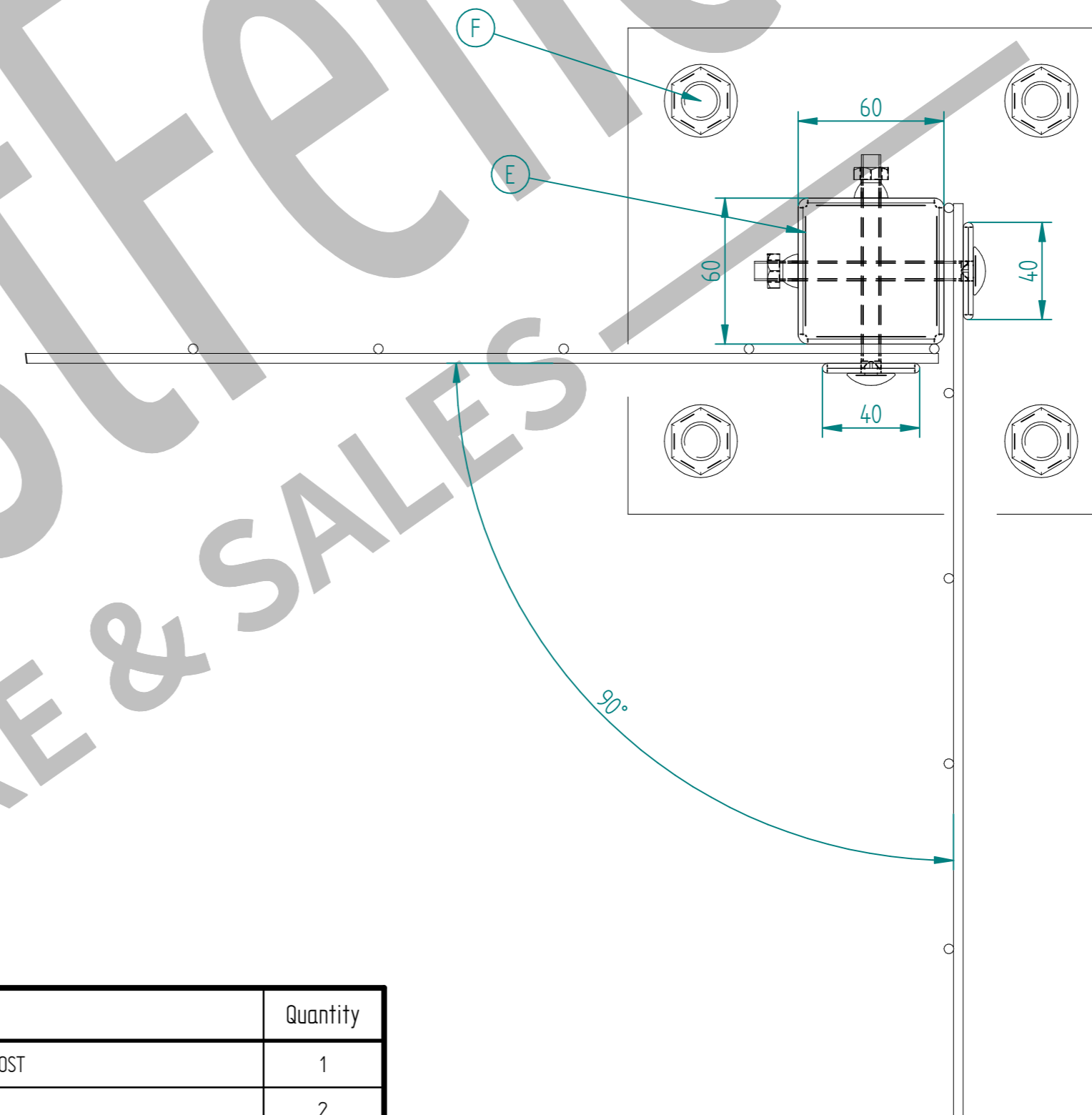
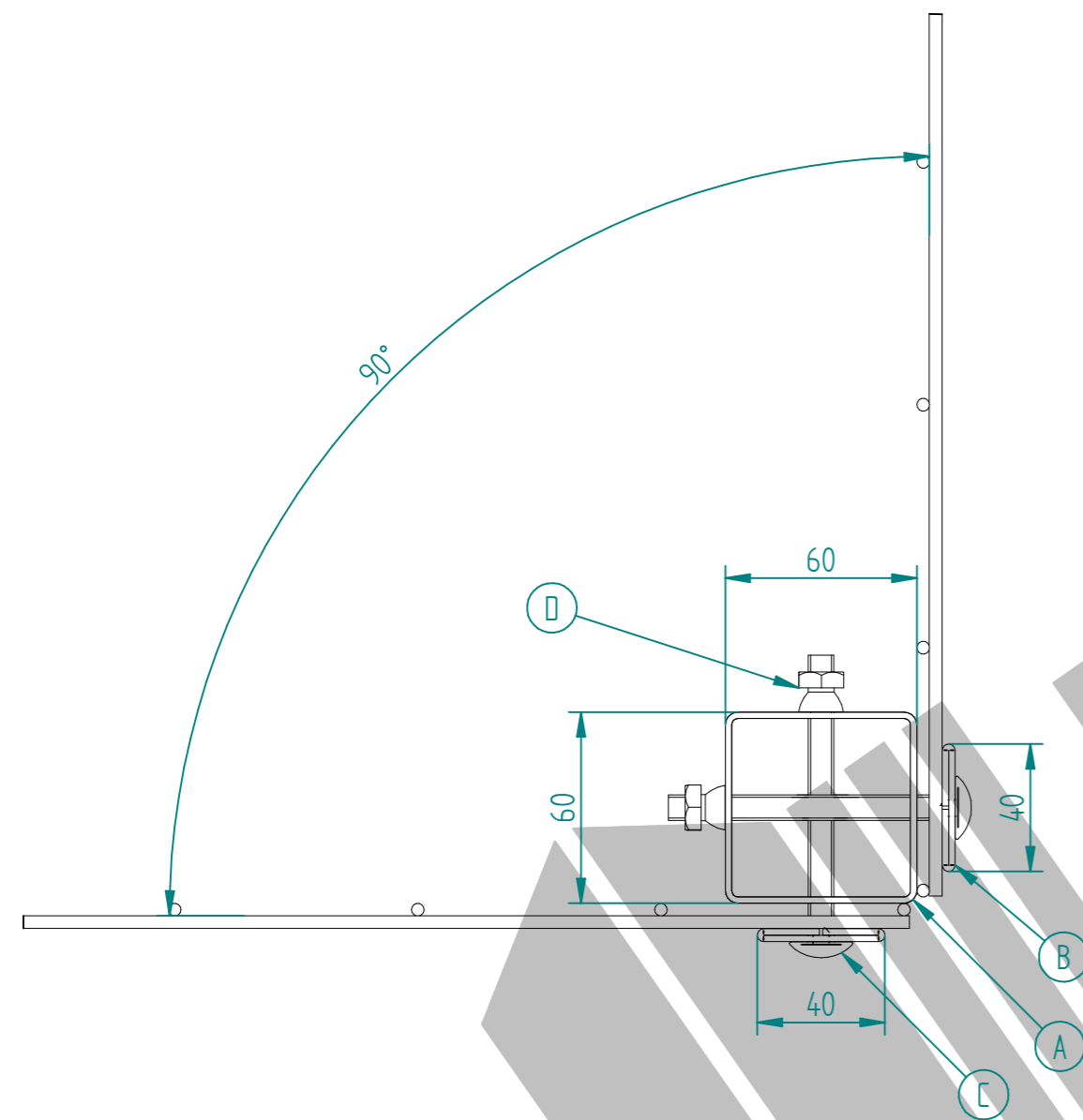
C20/25 MINIMUM CONCRETE FOUNDATION GRADE

NAME	DATE	TITLE
LT	15/12/23	1.8m - 3.0m HIGH 358 MESH FENCING KIT DETAILS
TOLERANCE	N/A	
<small>NOTE: SHOULD ANY DISCREPANCIES BE FOUND WITH THIS DRAWING, PLEASE INFORM FIRSTFENCE. COPYRIGHT OF THIS DRAWING IS OWNED BY FIRSTFENCE LIMITED.</small>		<small>First Fence Ltd, Kiln Way, Swadlincote, Derbyshire, DE11 8EA 01283 512 111 sales@firstfence.co.uk</small>
SIZE	REV	
A2	B	
WEIGHT: N/A	SHEET 2 OF 6	



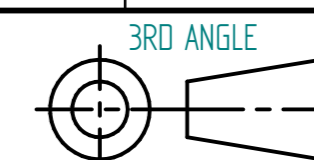
270° EXTERNAL CORNER  
MESH PANEL FIXING PLAN

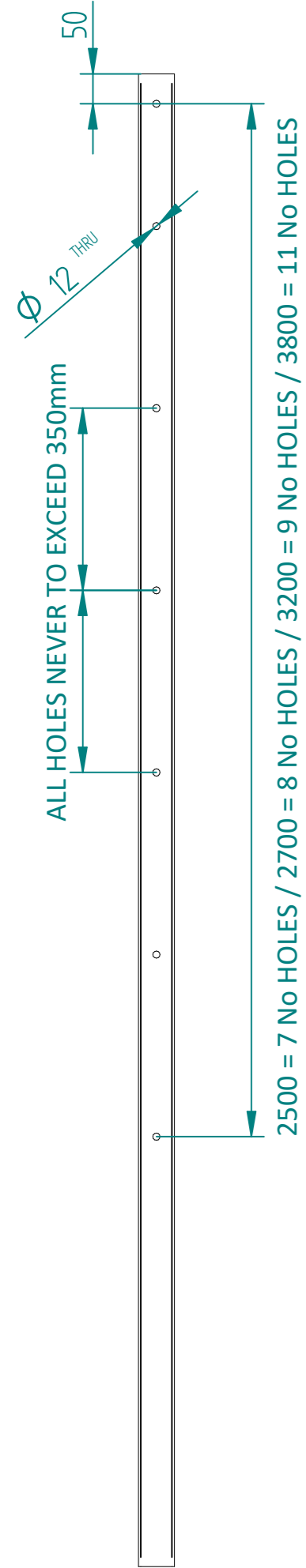
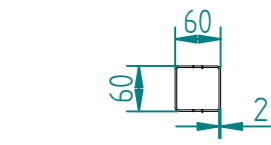
90° INTERNAL CORNER  
MESH PANEL FIXING PLAN



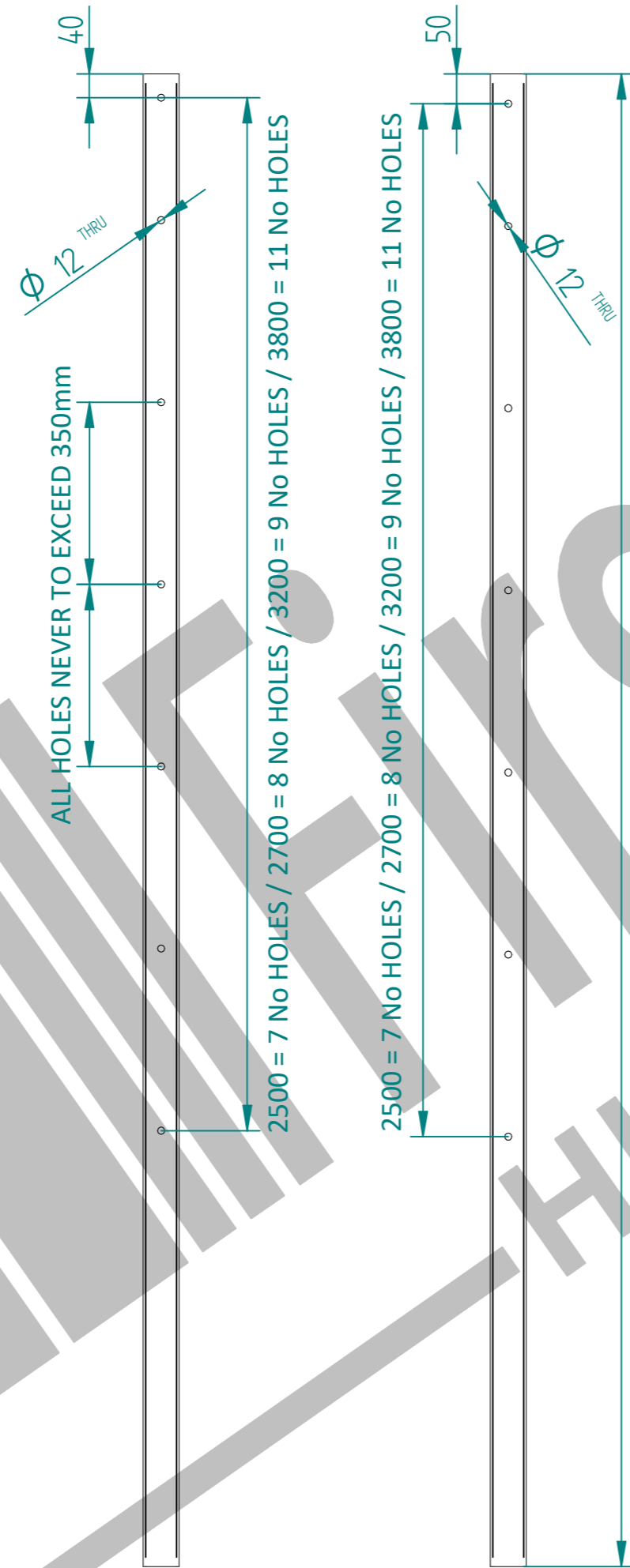
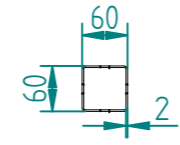
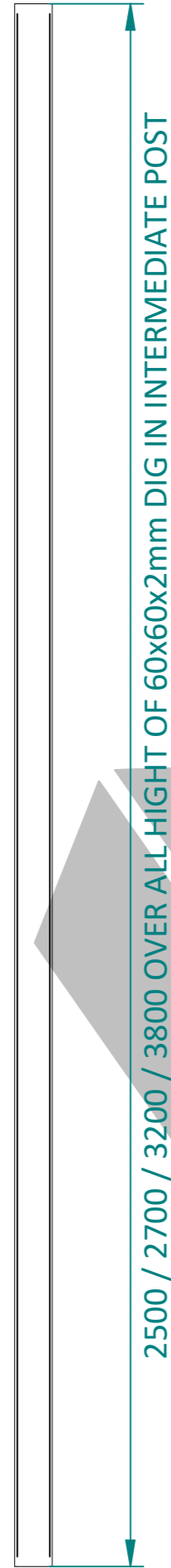
Item	Standard Fencing Corner Kit Components	Quantity
A	60x60x2mm DIG IN CORNER POST /60x60x2mm BOLT DOWN CORNER POST	1
B	CLAMP BAR 40X4MM / CLAMP BAR 40X5MM	2
C	M8 x 100mm CUP HEAD GALVANISED BOLTS GRADE 8.8	Min 14
D	M8 SNAP OFF NUT FOR SECURITY BOLTS GRADE 8.8	Min 14
E	60x60 BLACK RIBBED INSERTS	1
F	M12 x 125mm GROUND ANCHOR BZP GRADE 5.8 ( FOR BOLT DOWN POSTS ONLY )	4

NAME	DATE	TITLE
LT	15/12/23	1.8m - 3.0m HIGH 358 MESH FENCING KIT DETAILS
TOLERANCE N/A		FirstFence® First Fence Ltd, Kiln Way, Swadlincote, Derbyshire, DE11 8EA 01283 512 111 sales@firstfence.co.uk
SIZE A2	WEIGHT: N/A	REV B
NOTE: SHOULD ANY DISCREPANCIES BE FOUND WITH THIS DRAWING, PLEASE INFORM FIRSTFENCE COPYRIGHT OF THIS DRAWING IS OWNED BY FIRSTFENCE LIMITED.		SHEET 3 OF 6

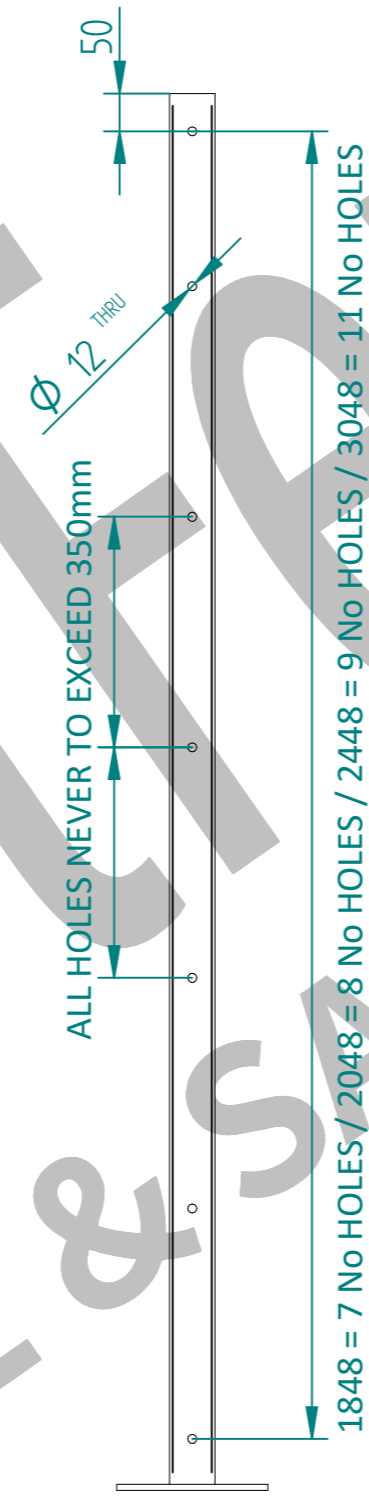
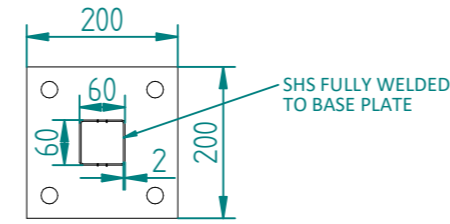




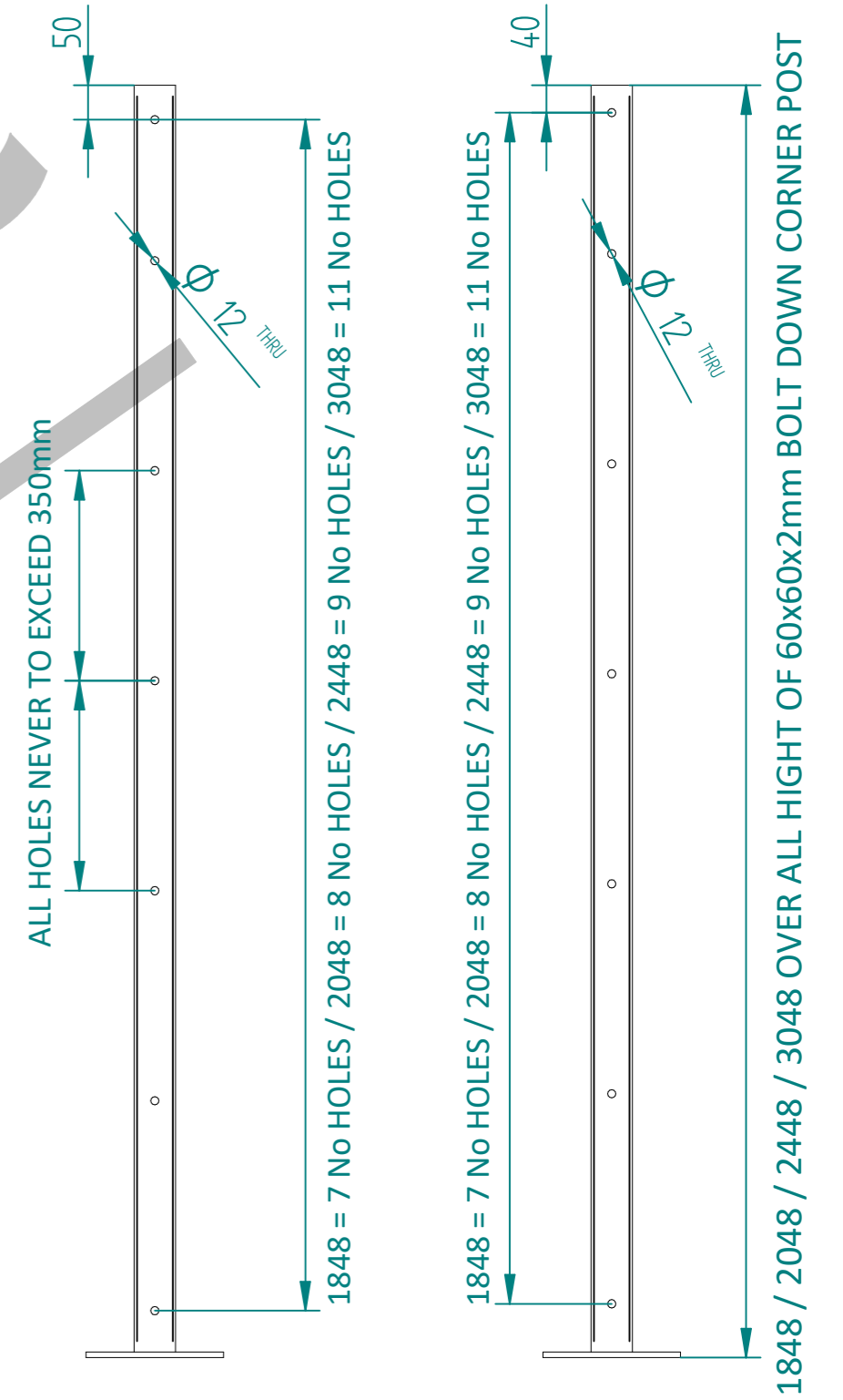
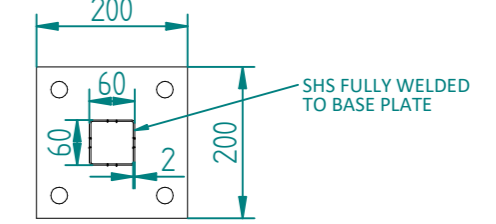
60x60x2mm DIG IN INTERMEDIATE POST



® 60x60x2mm DIG IN CORNER POST

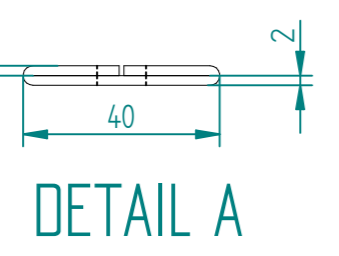
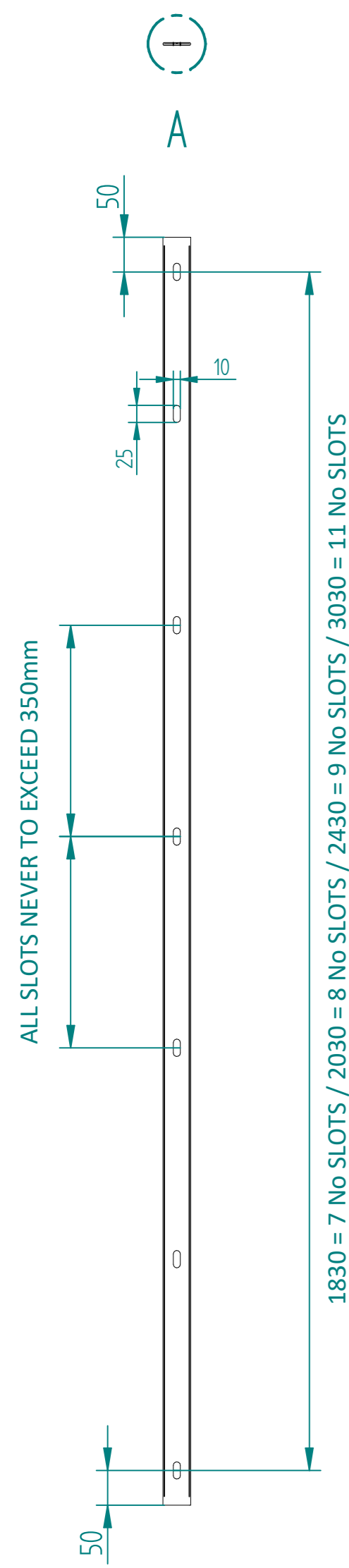


60x60x2mm BOLT DOWN INTERMEDIATE POST



P60x60x2mm BOLT DOWN CORNER POST

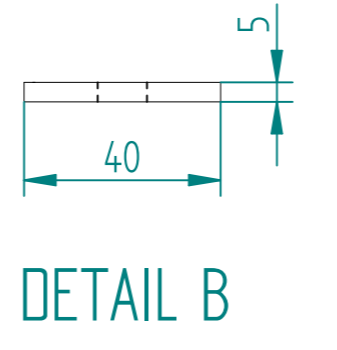
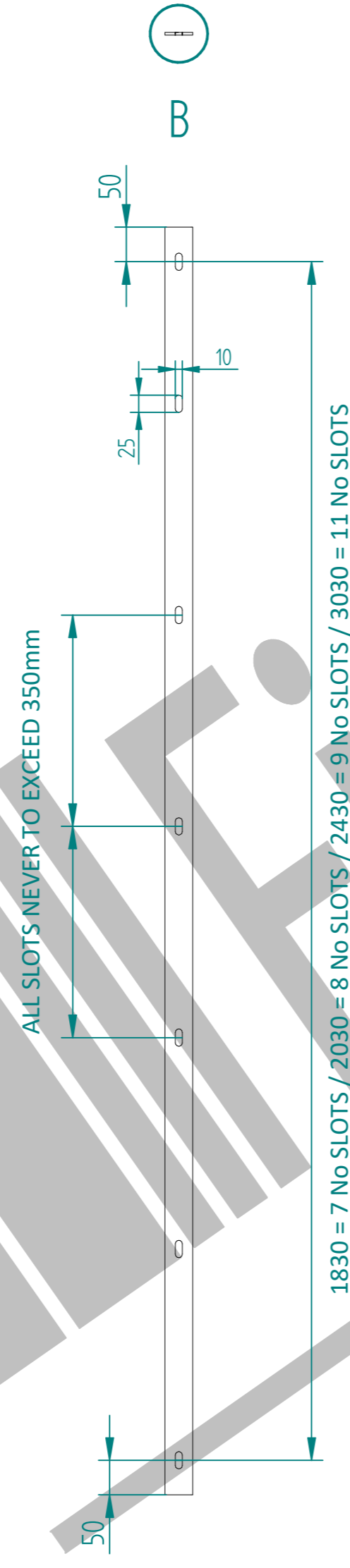
NAME	DATE	TITLE
LT	15/12/23	1.8m - 3.0m HIGH 358 MESH FENCING KIT DETAILS
TOLERANCE	N/A	
<small>NOTE: SHOULD ANY DISCREPANCIES BE FOUND WITH THIS DRAWING, PLEASE INFORM FIRSTFENCE. COPYRIGHT OF THIS DRAWING IS OWNED BY FIRSTFENCE LIMITED.</small>		<small>First Fence Ltd, Kiln Way, Swadlincote, Derbyshire, DE11 8EA 01283 512 111 sales@firstfence.co.uk</small>
SIZE	REV	
A2	B	
WEIGHT: N/A	SHEET 4 OF 6	



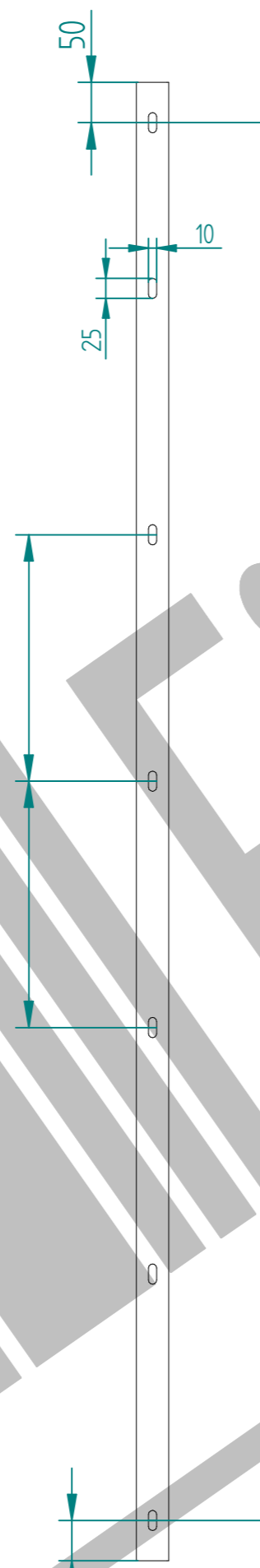
DETAIL A



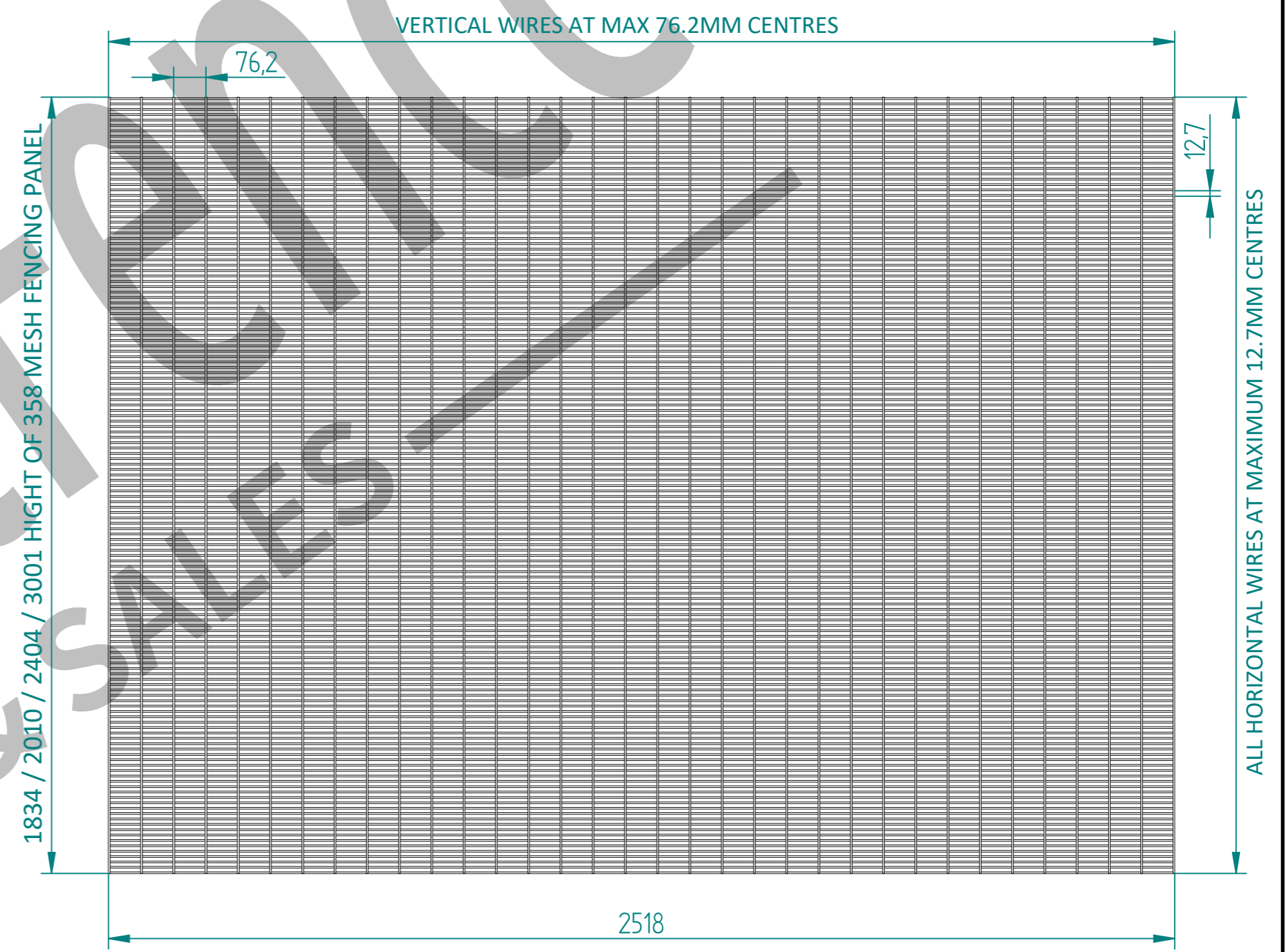
CLAMP BAR 40X4MM



DETAIL B

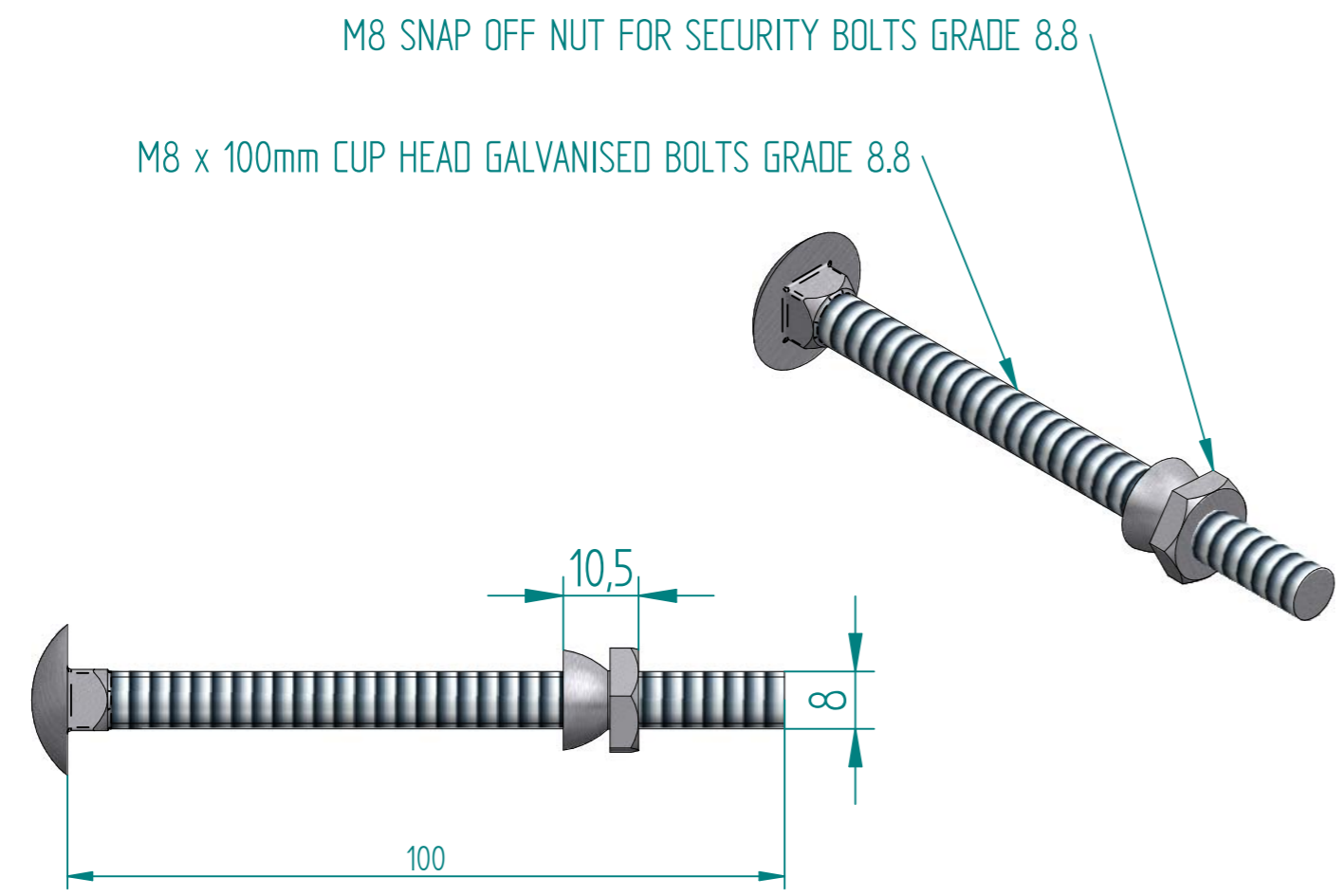


CLAMP BAR 40X5MM

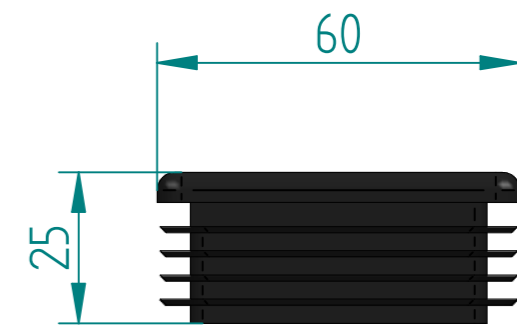
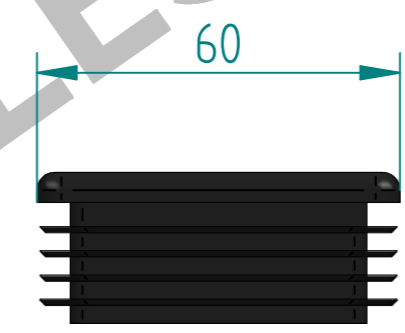
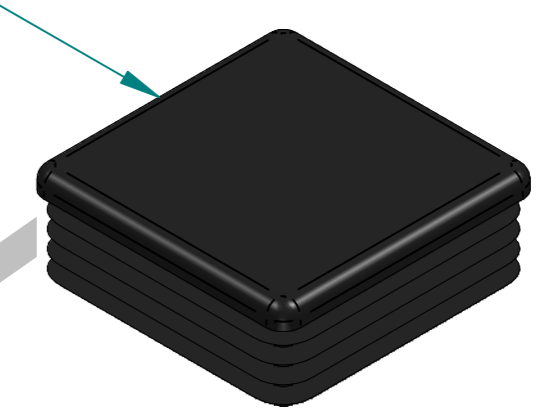


358 MESH FENCING PANEL

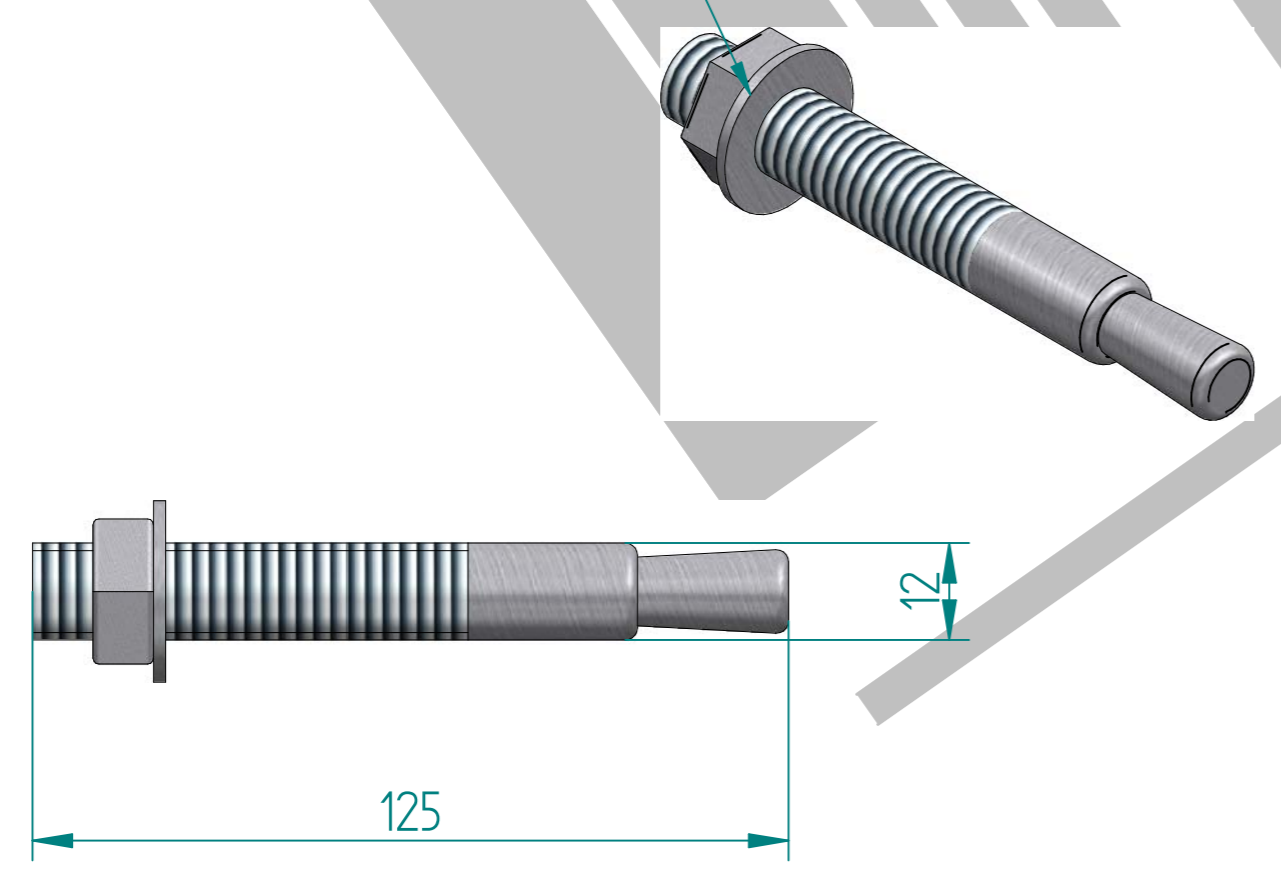
	NAME	DATE	TITLE
DRAWN	LT	15/12/23	1.8m - 3.0m HIGH 358 MESH FENCING KIT DETAILS
TOLERANCE	N/A		
			<b>FirstFence®</b> First Fence Ltd, Kiln Way, Swadlincote, Derbyshire, DE11 8EA 01283 512 111 sales@firstfence.co.uk
SIZE	NOTE: SHOULD ANY DISCREPANCIES BE FOUND WITH THIS DRAWING, PLEASE INFORM FIRSTFENCE. COPYRIGHT OF THIS DRAWING IS OWNED BY FIRSTFENCE LIMITED.		REV
A2			B
WEIGHT:	N/A		SHEET 5 OF 6


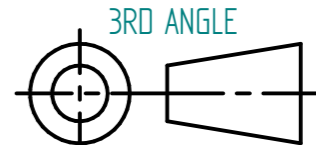


60x60 BLACK RIBBED INSERTS



M12 x 125mm GROUND ANCHOR BZP GRADE 5.8



DRAWN		NAME	DATE	TITLE	
TOLERANCE		LT	15/12/23	1.8m - 3.0m HIGH 358 MESH FENCING KIT DETAILS	
		N/A		 First Fence Ltd, Kiln Way, Swadlincote, Derbyshire, DE11 8EA 01283 512 111 sales@firstfence.co.uk	
 3RD ANGLE		NOTE: SHOULD ANY DISCREPANCIES BE FOUND WITH THIS DRAWING, PLEASE INFORM FIRSTFENCE. COPYRIGHT OF THIS DRAWING IS OWNED BY FIRSTFENCE LIMITED.		SIZE	REV
A2		B		WEIGHT:	SHEET 6 OF 6
N/A					