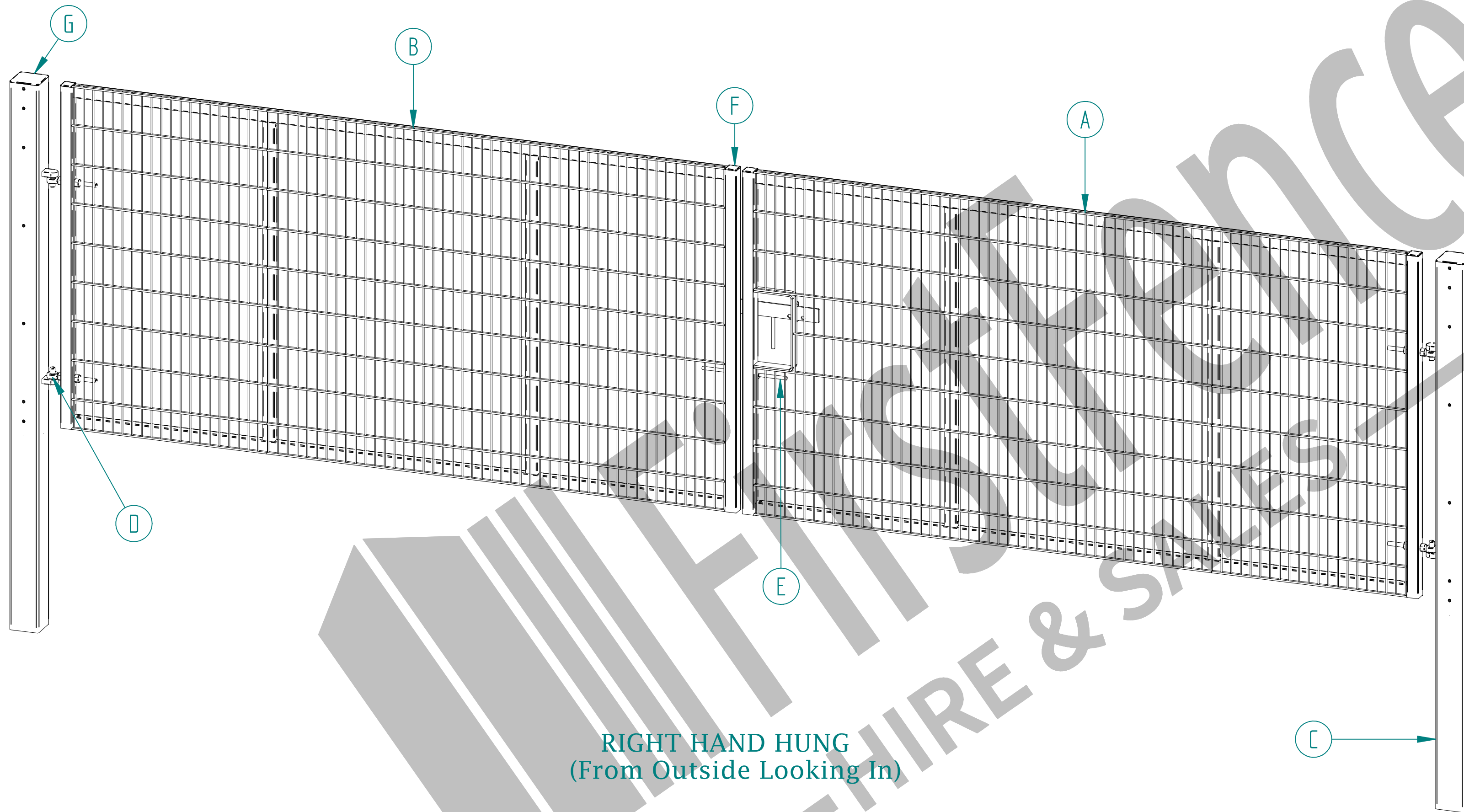
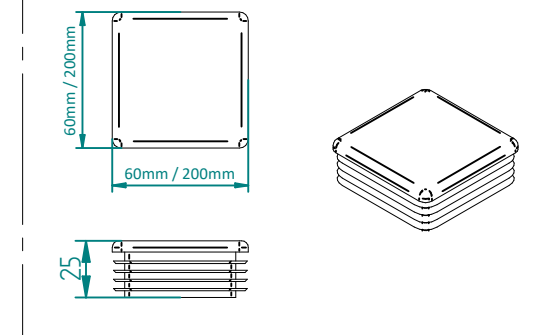


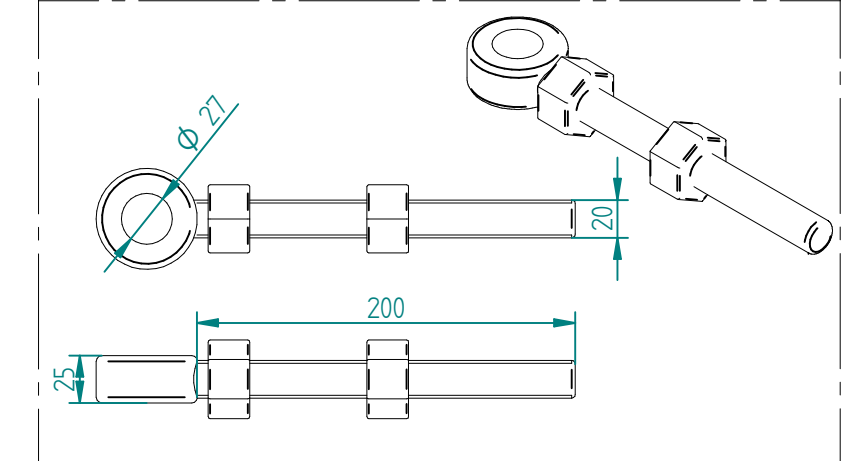
1.8m X 7.0m WIDE DOUBLE LEAF DIG IN 868 MESH GATE KIT



ALL GATES & POSTS ARE TO BE FITTED WITH BLACK PLASTIC INSERTS

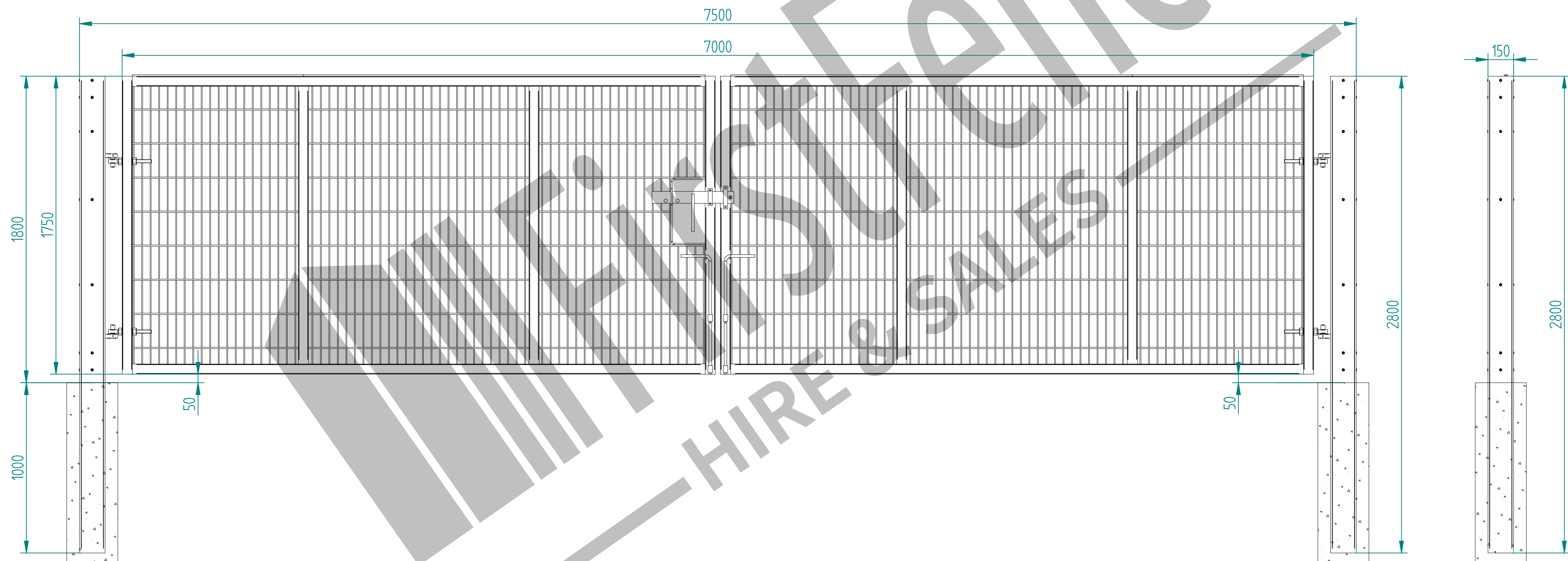
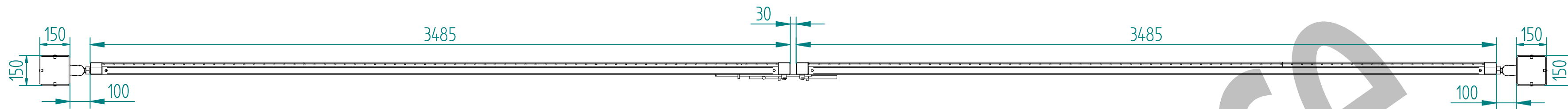


ALL GATES WITH 150x150 / 200x200 BOX SECTION HINGE POSTS ARE TO BE FITTED WITH TWO GALVANISED EYE BOLTS



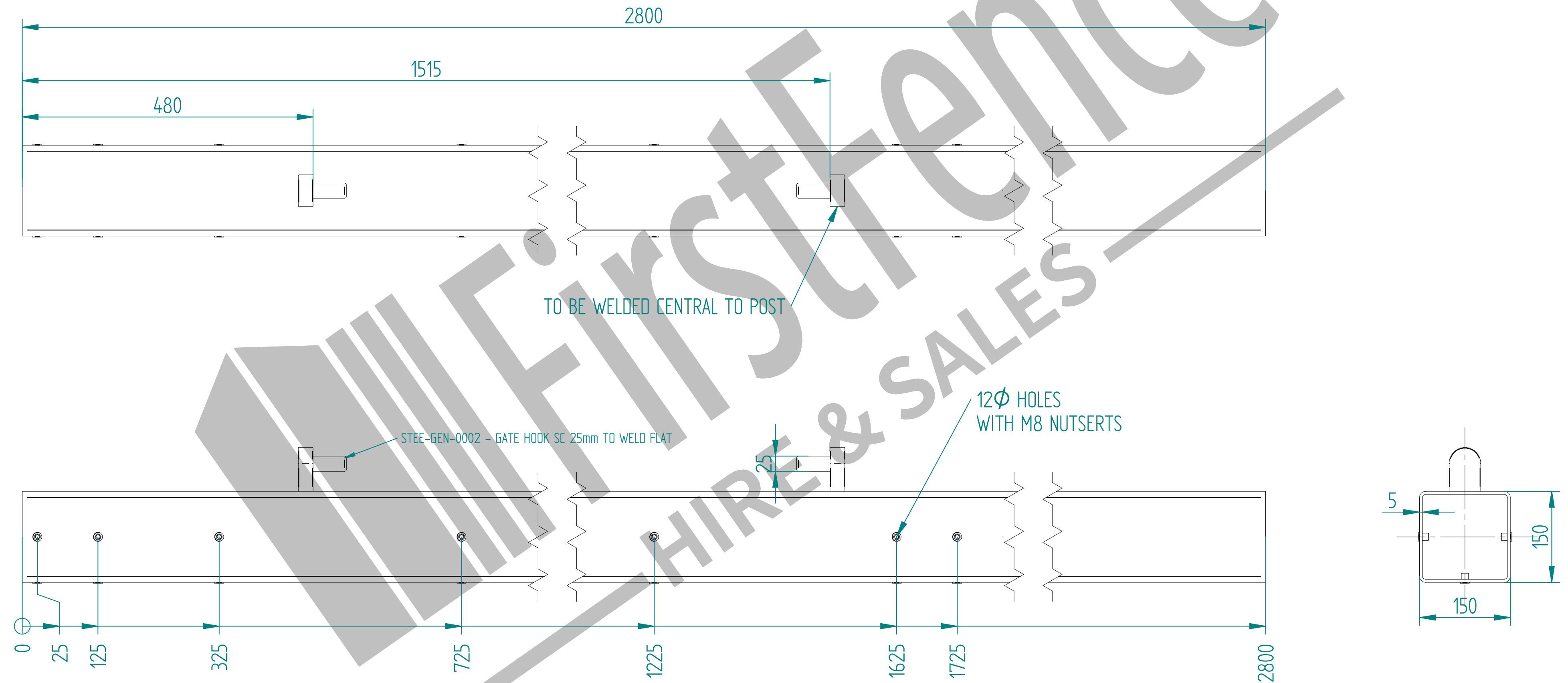
Item	Component Name	Quantity
A	MESH-SLI-1862 - 868 MESH GATE SLIDER 1.8m X 3.5m WIDE	1
B	MESH-CAT-1862 - 868 MESH GATE CATCH 1.8m X 3.5m WIDE	1
C	MESH-HIN-1842 - 1.8m HIGH DIG IN MESH HINGE GATE POST 150X150 BOX SECTION	2
D	ACCS-GEN-0002 - ADJUSTABLE GATE EYE G 200mm cw 25mm	4
E	ACCS-GEN-0101 - UNIVERSAL GATE DROP BOLT	2
F	ACCS-RIB-0003 - 60x60 BLACK RIBBED INSERTS	4
G	ACCS-RIB-0007 - 150x150 BLACK RIBBED INSERTS	2

NAME	DATE	TITLE
LT	09/12/21	MESH-KIT-6504 - 1.8m X 7.0m WIDE DOUBLE LEAF DIG IN 868 MESH GATE KIT
TOLERANCE ± 2mm Unless Stated Otherwise		First Fence Ltd, Kiln Way, Swadlincote, Derbyshire, DE11 8EA 01283 512 111 sales@firstfence.co.uk
3RD ANGLE		NOTE: SHOULD ANY DISCREPANCIES BE FOUND WITH THIS DRAWING, PLEASE INFORM FIRSTFENCE. COPYRIGHT OF THIS DRAWING IS OWNED BY FIRSTFENCE LIMITED. SIZE A2 WEIGHT: 330.5 kg REV A



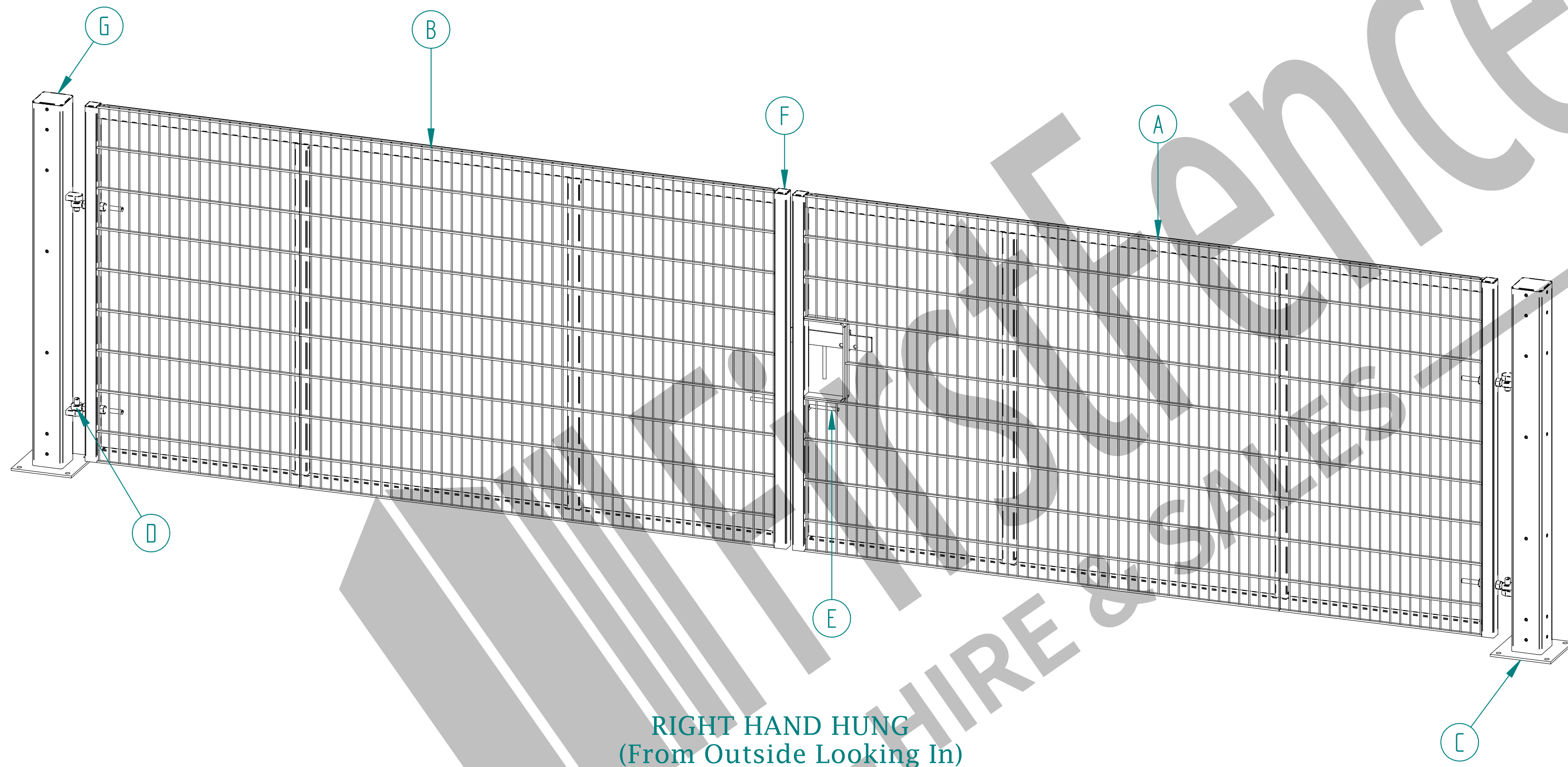
	NAME	DATE	TITLE
DRAWN	LT	09/12/21	MESH-KIT-6504 - 1.8m X 7.0m WIDE DOUBLE LEAF DIG IN 868 MESH GATE KIT
TOLERANCE	± 2mm Unless Stated Otherwise		First Fence Ltd, Kiln Way, Swadlincote, Derbyshire, DE11 8EA 01283 512 111 sales@firstfence.co.uk
3RD ANGLE			
			NOTE: SHOULD ANY DISCREPANCIES BE FOUND WITH THIS DRAWING, PLEASE INFORM FIRSTFENCE COPYRIGHT OF THIS DRAWING IS OWNED BY FIRSTFENCE LIMITED.
			REV A SHEET 2 OF 6

1.8m HIGH DIG IN MESH HINGE GATE POST 150X150 BOX SECTION (AL 2800mm)



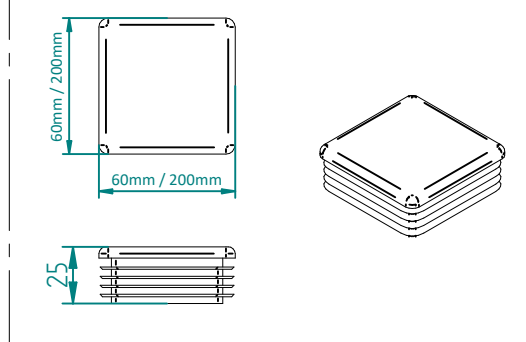
	NAME	DATE	TITLE
DRAWN	LT	09/12/21	MESH-HIN-1842 - 1.8m HIGH DIG IN MESH HINGE GATE POST 150X150 BOX SECTION
TOLERANCE	± 2mm Unless Stated Otherwise		First Fence Ltd, Kiln Way, Swadlincote, Derbyshire, DE11 8EA 01283 512 111 sales@firstfence.co.uk
3RD ANGLE 			NOTE: SHOULD ANY DISCREPANCIES BE FOUND WITH THIS DRAWING, PLEASE INFORM FIRSTFENCE. COPYRIGHT OF THIS DRAWING IS OWNED BY FIRSTFENCE LIMITED. SIZE A2 WEIGHT: 64.0 kg
			REV A
			SHEET 3 OF 6

1.8m X 7.0m WIDE DOUBLE LEAF BOLT DOWN 868 MESH GATE KIT

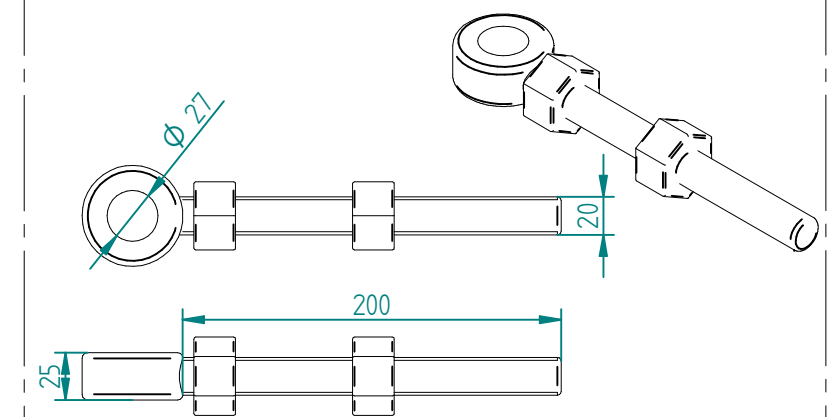


RIGHT HAND HUNG
(From Outside Looking In)


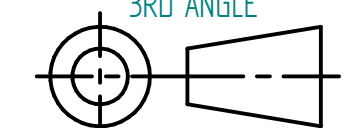
ALL GATES & POSTS ARE TO BE FITTED WITH BLACK PLASTIC INSERTS

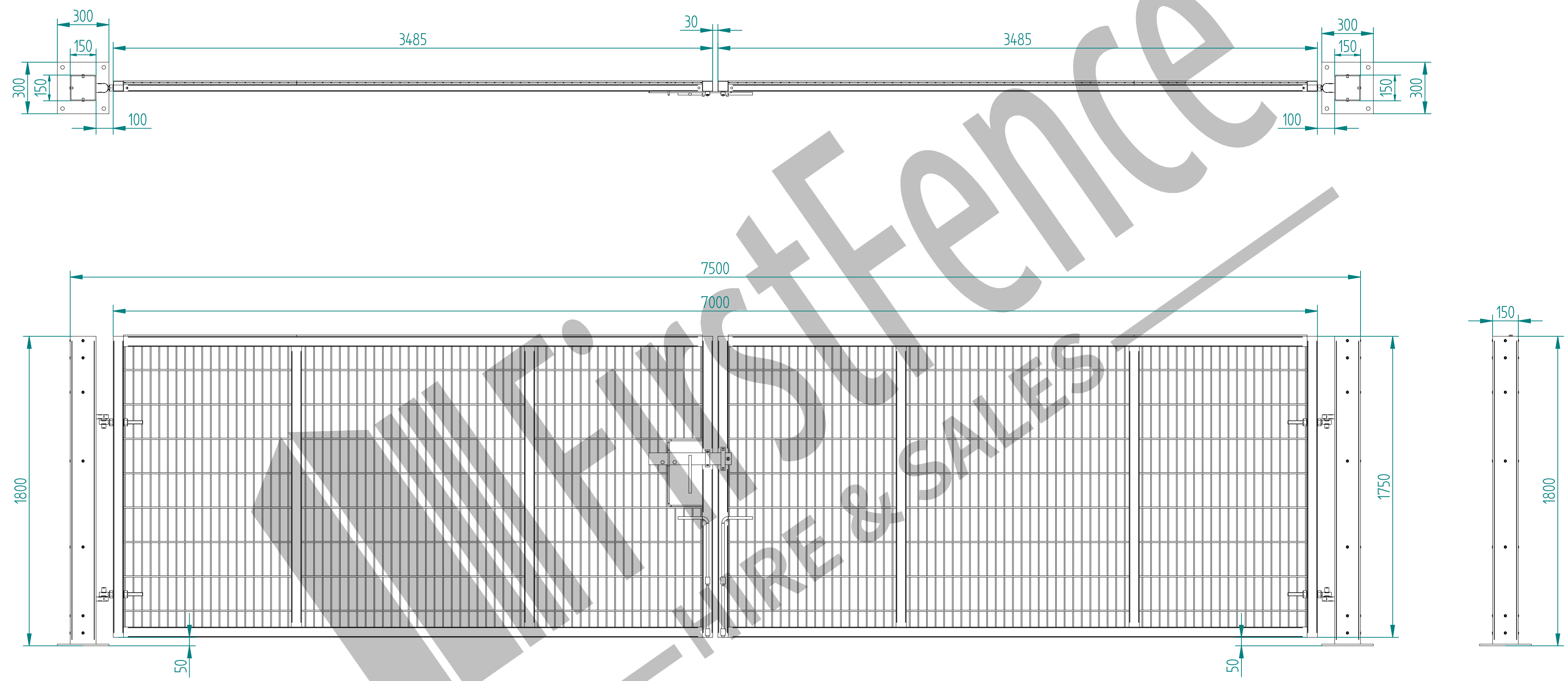


ALL GATES WITH 150x150 / 200x200 BOX SECTION HINGE POSTS ARE TO BE FITTED WITH TWO GALVANISED EYE BOLTS



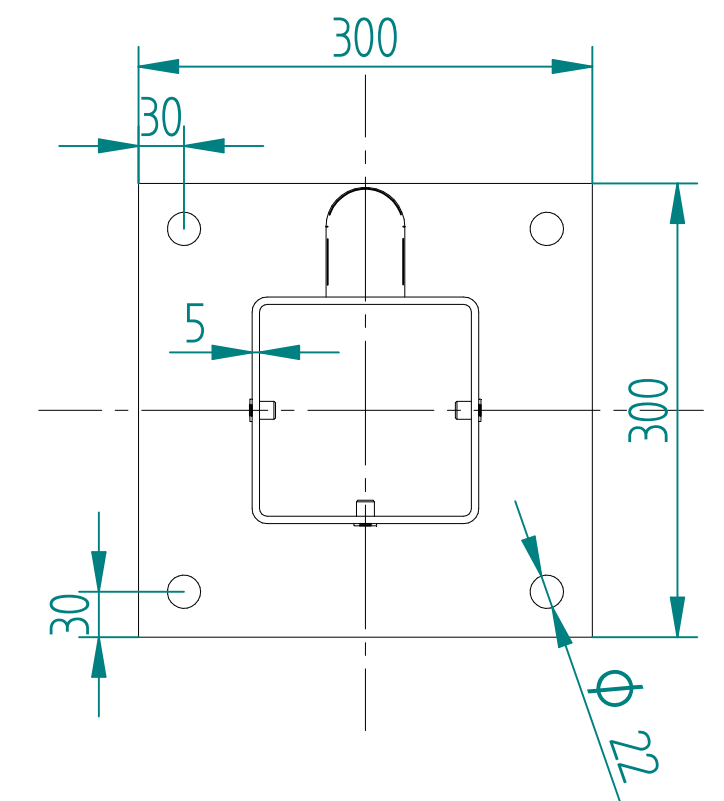
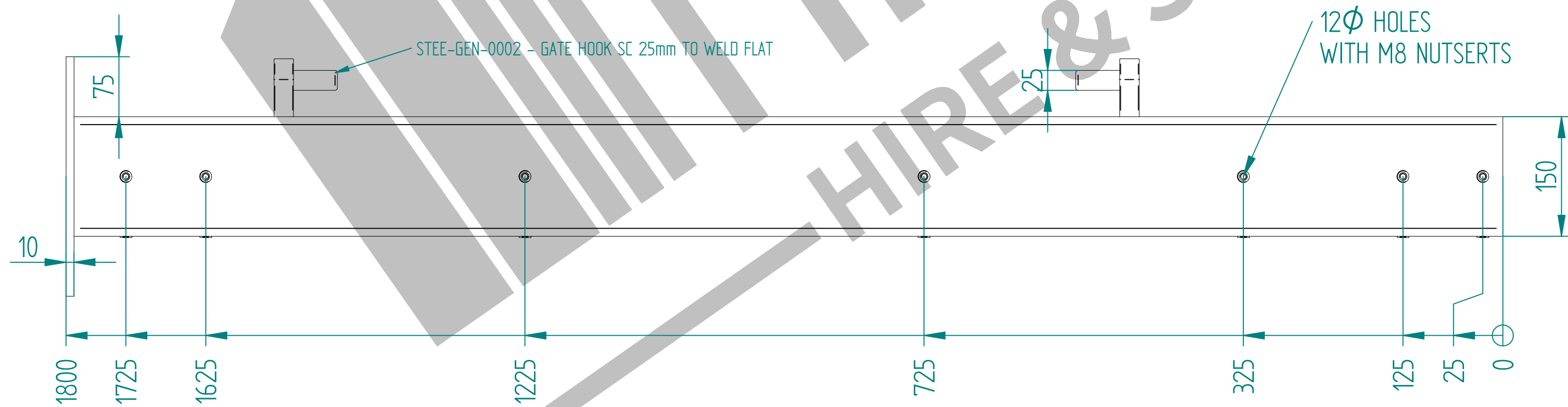
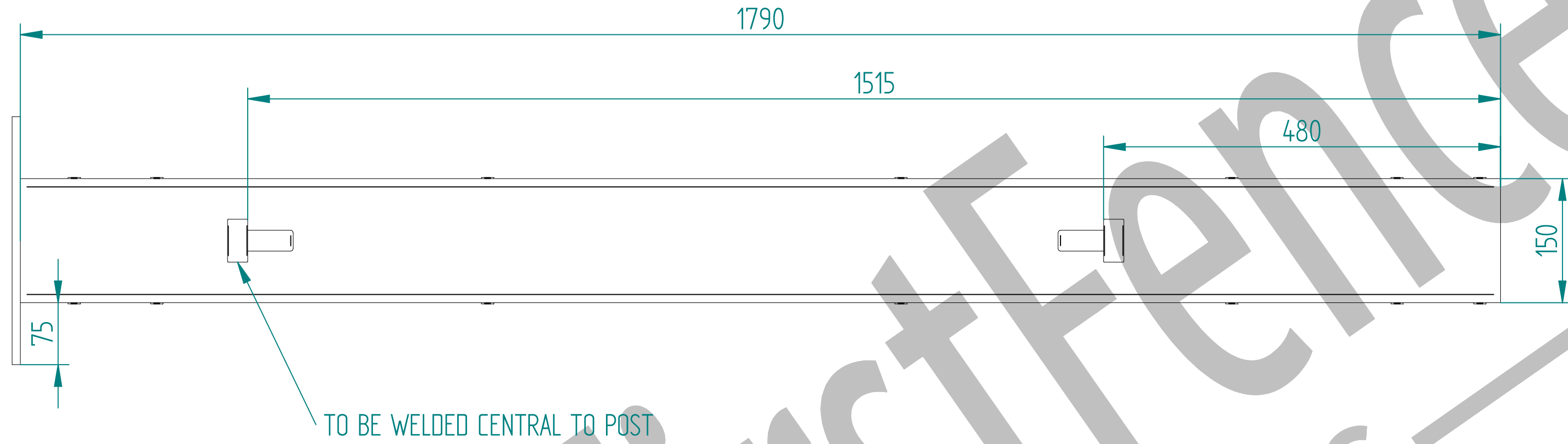
Item	Component Name	Quantity
A	MESH-SLI-1862 - 868 MESH GATE SLIDER 1.8m X 3.5m WIDE	1
B	MESH-CAT-1862 - 868 MESH GATE CATCH 1.8m X 3.5m WIDE	1
C	MESH-HIN-1852 - 1.8m HIGH BOLT DOWN MESH HINGE GATE POST 150X150 BOX SECTION	2
D	ACCS-GEN-0002 - ADJUSTABLE GATE EYE G 200mm cw 25mm	4
E	ACCS-GEN-0101 - UNIVERSAL GATE DROP BOLT	2
F	ACCS-RIB-0003 - 60x60 BLACK RIBBED INSERTS	4
G	ACCS-RIB-0007 - 150x150 BLACK RIBBED INSERTS	2

NAME	DATE	TITLE
LT	09/12/21	MESH-KIT-6505 - 1.8m X 7.0m WIDE DOUBLE LEAF BOLT DOWN 868 MESH GATE KIT
TOLERANCE ± 2mm Unless Stated Otherwise		 First Fence Ltd, Kiln Way, Swadlincote, Derbyshire, DE11 8EA 01283 512 111 sales@firstfence.co.uk
3RD ANGLE		NOTE: SHOULD ANY DISCREPANCIES BE FOUND WITH THIS DRAWING, PLEASE INFORM FIRSTFENCE. COPYRIGHT OF THIS DRAWING IS OWNED BY FIRSTFENCE LIMITED. SIZE A2 WEIGHT: 299.5 kg REV A SHEET 4 OF 6



	NAME	DATE	TITLE
DRAWN	LT	09/12/21	MESH-KIT-6505 - 1.8m X 7.0m WIDE DOUBLE LEAF BOLT DOWN 868 MESH GATE KIT
TOLERANCE	± 2mm Unless Stated Otherwise		First Fence Ltd, Kiln Way, Swadincote, Derbyshire, DE11 8EA 01283 512 111 sales@firstfence.co.uk
3RD ANGLE			
SIZE	A2		REV A
WEIGHT: 299.5 kg			SHEET 5 OF 6

1.8m HIGH BOLT DOWN MESH HINGE GATE POST 150X150 BOX SECTION



	NAME	DATE	TITLE
DRAWN	LT	09/12/21	MESH-HIN-1852 - 1.8m HIGH BOLT DOWN MESH HINGE GATE POST 150X150 BOX SECTION
TOLERANCE	± 2mm Unless Stated Otherwise		First Fence Ltd, Kiln Way, Swadlincote, Derbyshire, DE11 8EA 01283 512 111 sales@firstfence.co.uk
3RD ANGLE 			NOTE: SHOULD ANY DISCREPANCIES BE FOUND WITH THIS DRAWING, PLEASE INFORM FIRSTFENCE. COPYRIGHT OF THIS DRAWING IS OWNED BY FIRSTFENCE LIMITED. SIZE A2 WEIGHT: 48.5 kg
			REV A