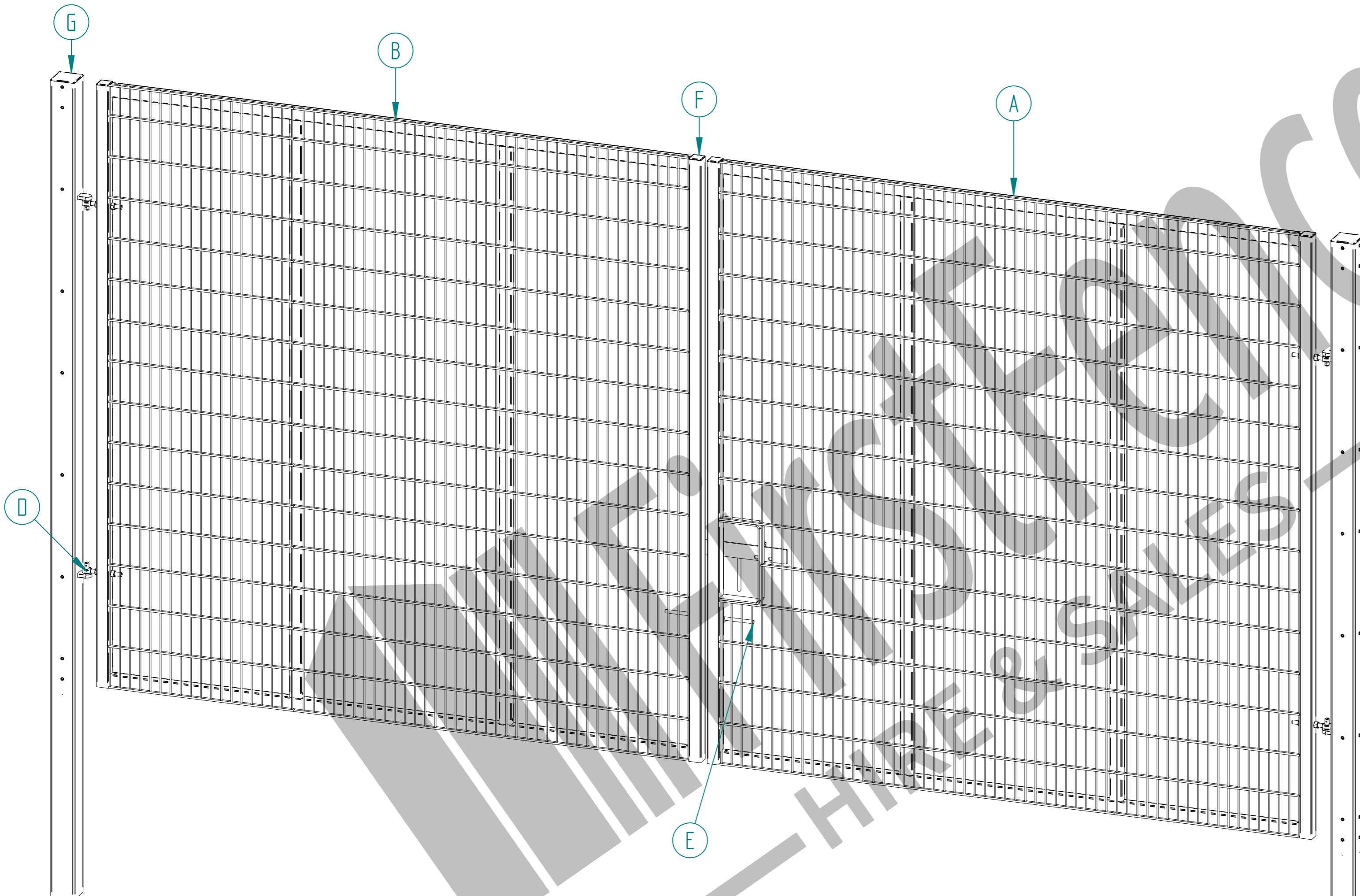
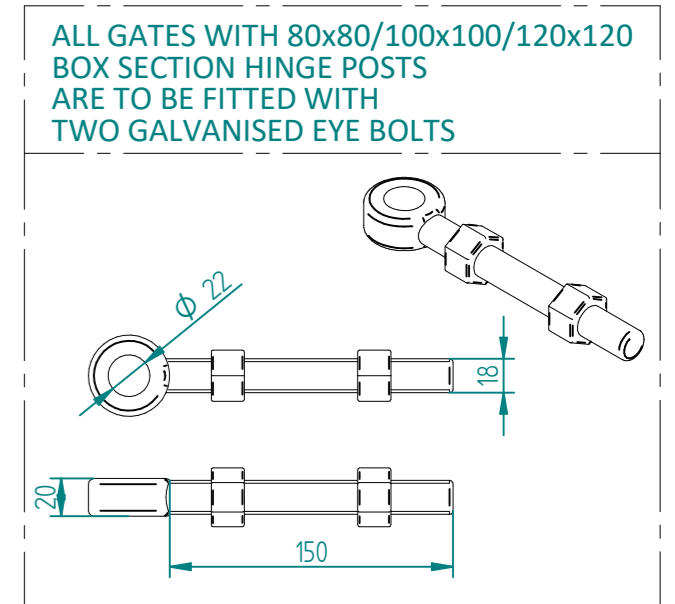
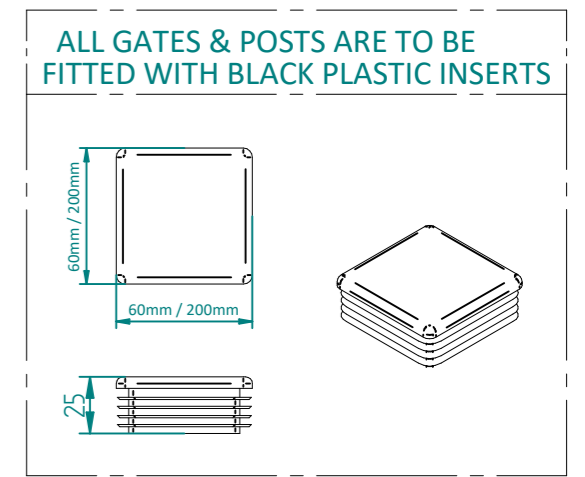


3.0m X 6.0m WIDE DOUBLE LEAF DIG IN 868 MESH GATE KIT



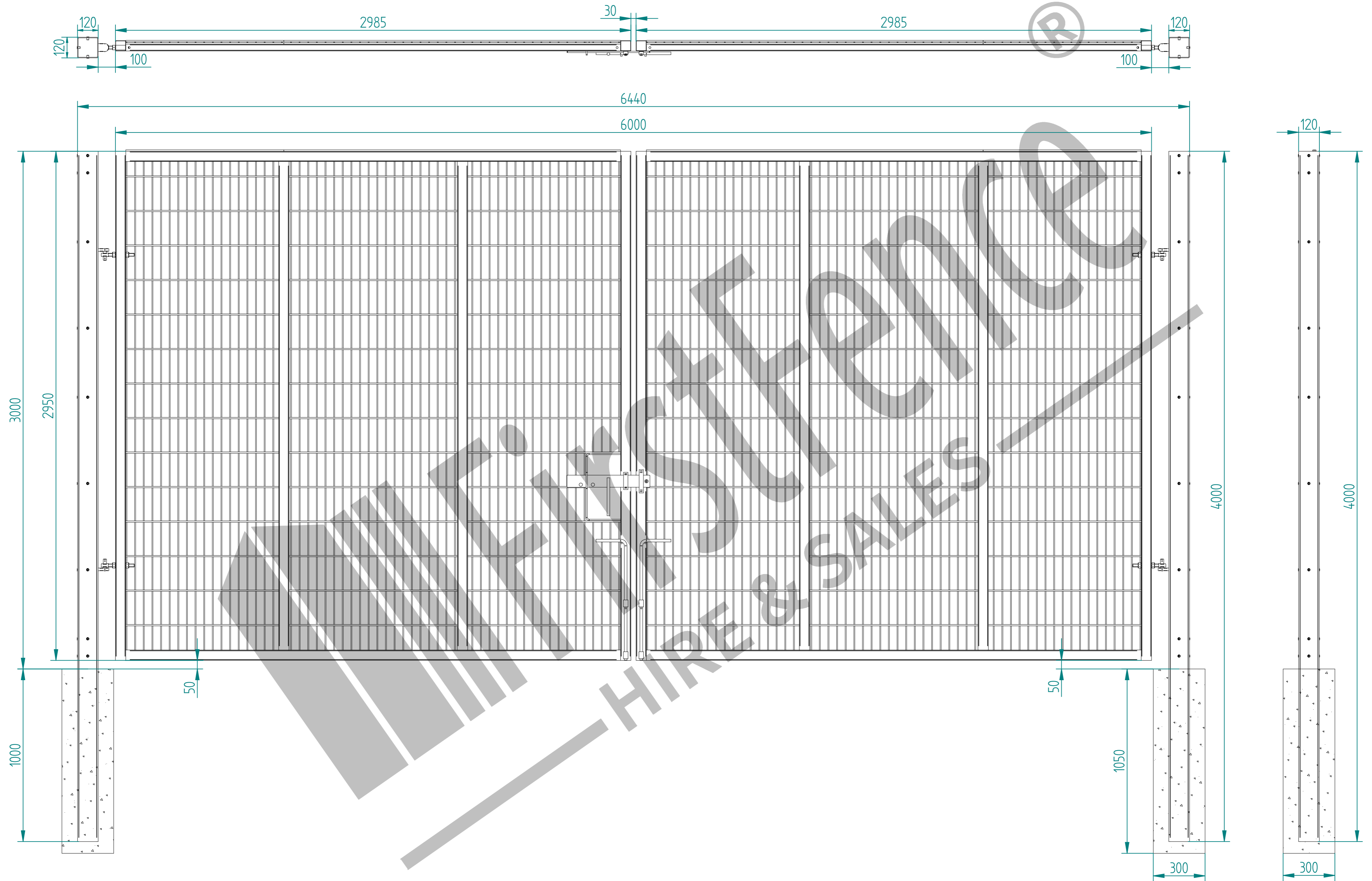
RIGHT HAND HUNG
(From Outside Looking In)



Item	Component Name	Quantity
A	MESH-SLI-3052 - 868 MESH GATE SLIDER 3.0m X 3.0m WIDE	1
B	MESH-CAT-3052 - 868 MESH GATE CATCH 3.0m X 3.0m WIDE	1
C	MESH-HIN-3036 - 3.0m HIGH DIG IN MESH HINGE GATE POST 120X120 BOX SECTION	2
D	ACCS-GEN-0001 - ADJUSTABLE GATE EYE BZP 130-150mm CW 20	4
E	ACCS-GEN-0101 - UNIVERSAL GATE DROP BOLT	2
F	ACCS-RIB-0003 - 60x60 BLACK RIBBED INSERTS	4
G	ACCS-RIB-0020 - 120x120 BLACK RIBBED INSERT	2

Rev	Comments	Date
B	Hinge Post Increased In Size	04/05/22
A	New Revised Drawing	14/07/21

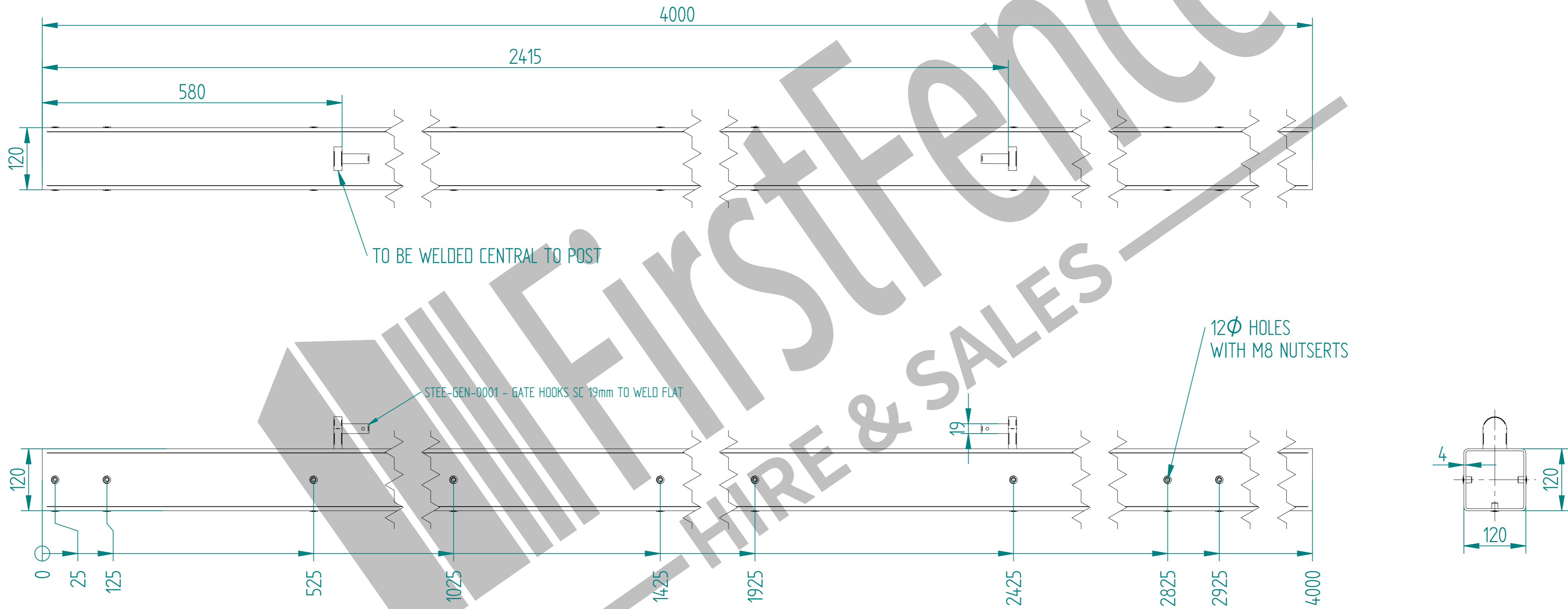
NAME	DATE	TITLE
LT	04/05/22	MESH-KIT-6434 - 3.0m X 6.0m WIDE DOUBLE LEAF DIG IN 868 MESH GATE KIT
TOLERANCE		± 2mm Unless Stated Otherwise
3RD ANGLE		
SIZE		
A2	First Fence Ltd, Kiln Way, Swadlincote, Derbyshire, DE11 8EA 01283 512 111 sales@firstfence.co.uk	
WEIGHT:	383.3 kg	REV B
		SHEET 1 OF 6


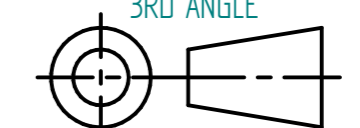


Rev	Comments	Date
B	Hinge Post Increased In Size	04/05/22
A	New Revised Drawing	14/07/21

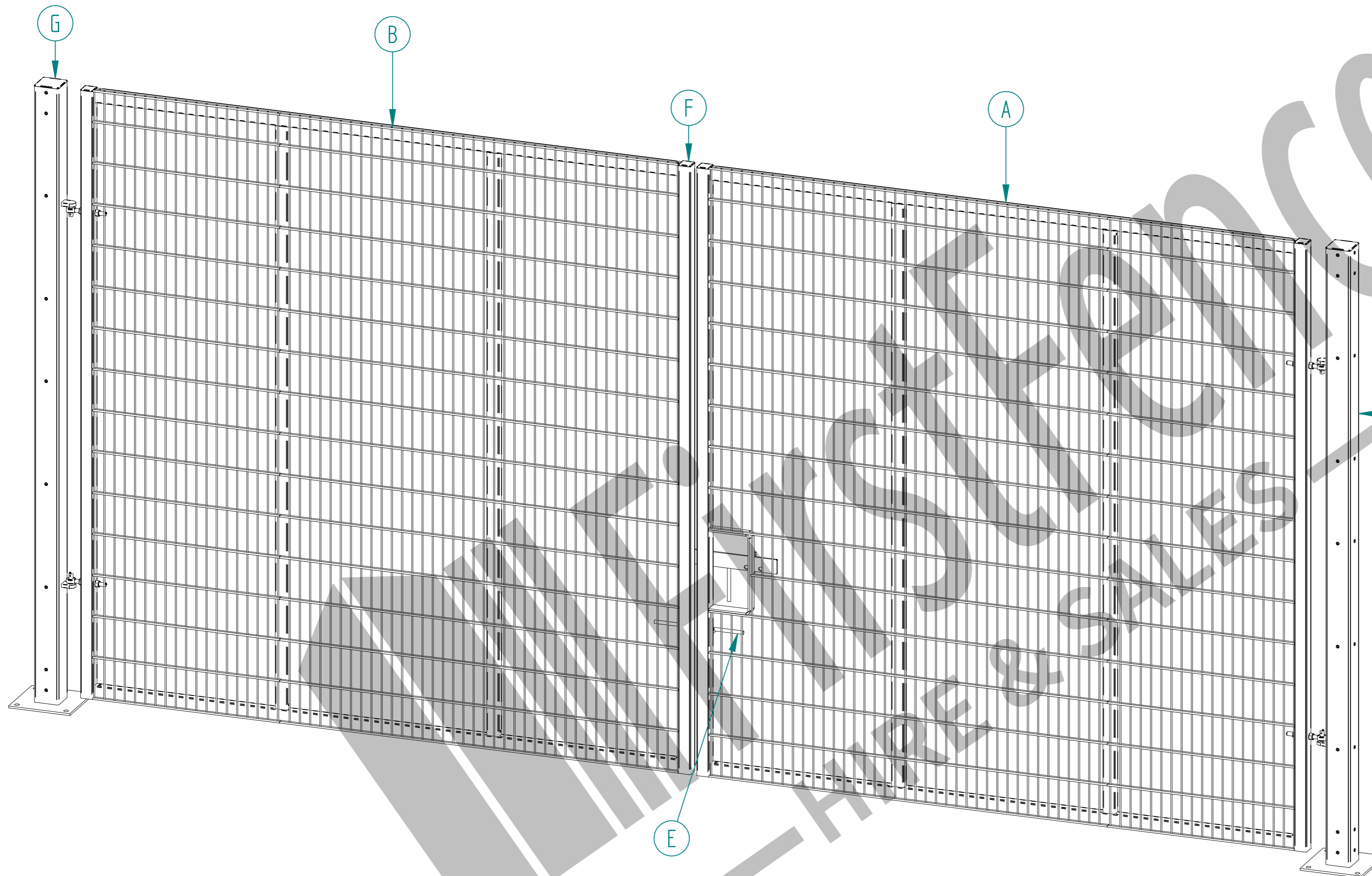
NAME	DATE	TITLE
LT	04/05/22	MESH-KIT-6434 - 3.0m X 6.0m WIDE DOUBLE LEAF DIG IN 868 MESH GATE KIT
TOLERANCE ± 2mm Unless Stated Otherwise		First Fence Ltd, Kiln Way, Swadincote, Derbyshire, DE11 8EA 01283 512 111 sales@firstfence.co.uk
NOTE: SHOULD ANY DISCREPANCIES BE FOUND WITH THIS DRAWING, PLEASE INFORM FIRSTFENCE. COPYRIGHT OF THIS DRAWING IS OWNED BY FIRSTFENCE LIMITED.	3RD ANGLE	REV B
SIZE A2	WEIGHT: 383.3 kg	SHEET 2 OF 6

3.0m HIGH DIG IN MESH HINGE GATE POST 120X120 BOX SECTION (AL 4000mm)

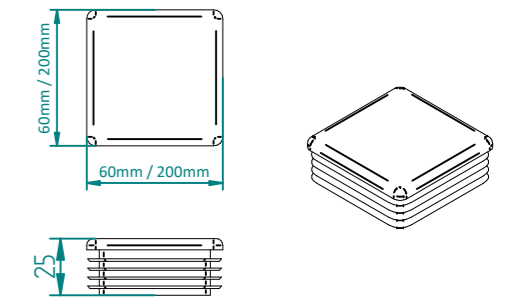


	NAME	DATE	TITLE
DRAWN	LT	04/05/22	MESH-HIN - 3.0m HIGH DIG IN MESH HINGE GATE POST 120X120 BOX SECTION
TOLERANCE	± 2mm Unless Stated Otherwise		 First Fence Ltd, Kiln Way, Swadlincote, Derbyshire, DE11 8EA 01283 512 111 sales@firstfence.co.uk
	 3RD ANGLE		NOTE: SHOULD ANY DISCREPANCIES BE FOUND WITH THIS DRAWING, PLEASE INFORM FIRSTFENCE. COPYRIGHT OF THIS DRAWING IS OWNED BY FIRSTFENCE LIMITED.
	SIZE	A2	REV B
	WEIGHT: 57.9 kg		SHEET 3 OF 6

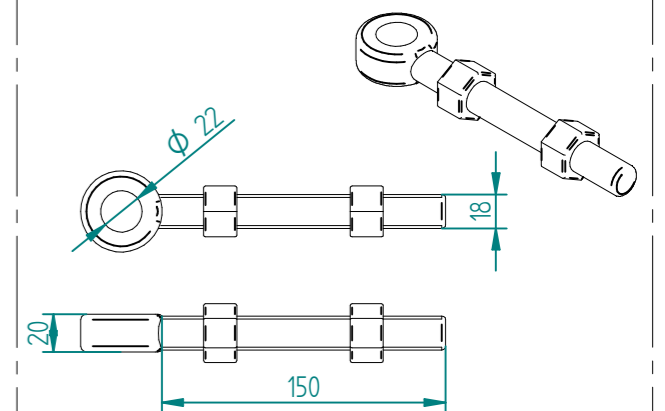
3.0m X 6.0m WIDE DOUBLE LEAF BOLT DOWN 868 MESH GATE KIT



ALL GATES & POSTS ARE TO BE FITTED WITH BLACK PLASTIC INSERTS



ALL GATES WITH 80x80/100x100/120x120 BOX SECTION HINGE POSTS ARE TO BE FITTED WITH TWO GALVANISED EYE BOLTS

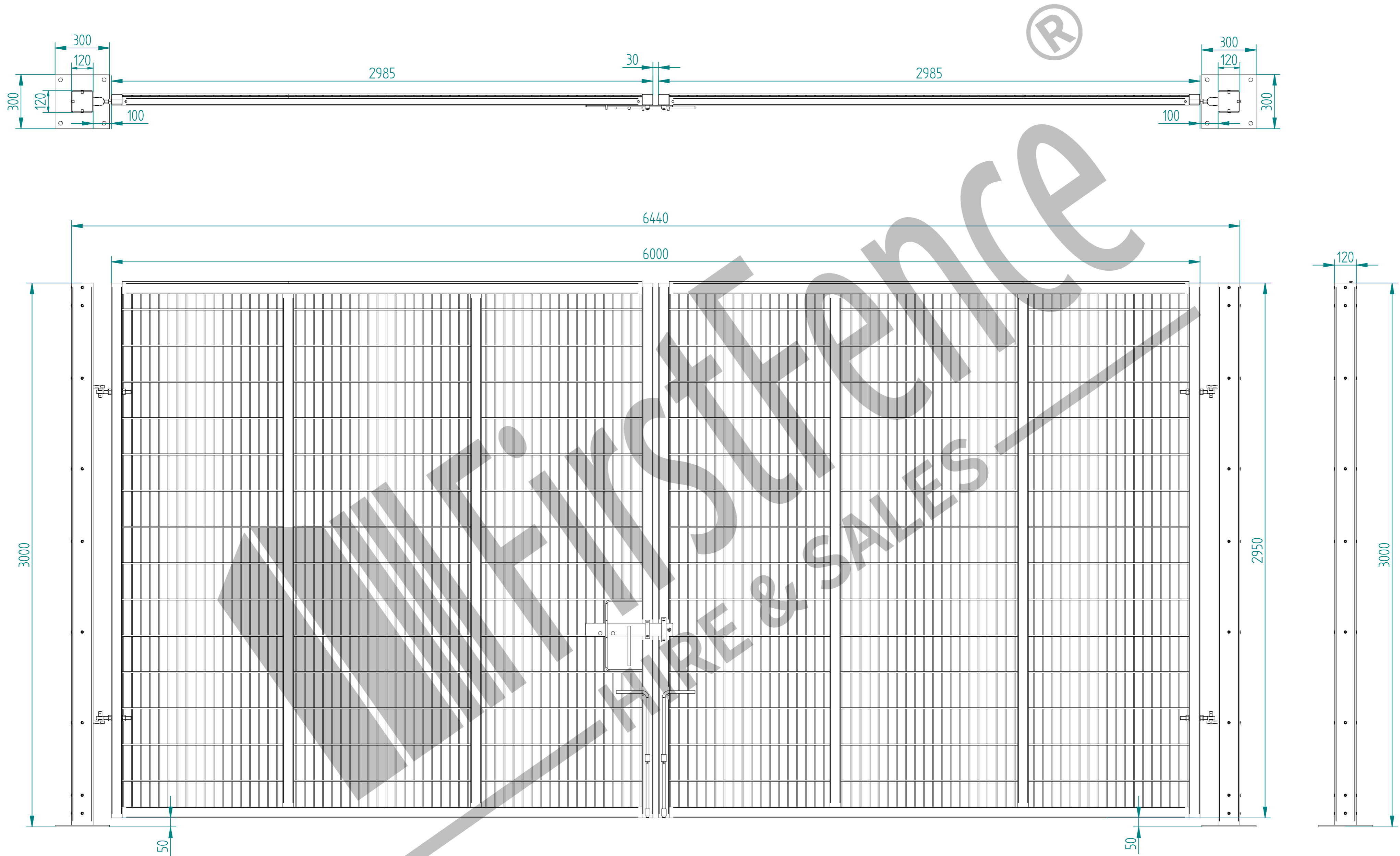


**RIGHT HAND HUNG
(From Outside Looking In)**


Item	Component Name	Quantity
A	MESH-SLI-3052 - 868 MESH GATE SLIDER 3.0m X 3.0m WIDE	1
B	MESH-CAT-3052 - 868 MESH GATE CATCH 3.0m X 3.0m WIDE	1
C	MESH-HIN-3038 - 3.0m HIGH BOLT DOWN MESH HINGE GATE POST 120X120 BOX SECTION	2
D	ACCS-GEN-0001 - ADJUSTABLE GATE EYE BZP 130-150mm CW 20	4
E	ACCS-GEN-0101 - UNIVERSAL GATE DROP BOLT	2
F	ACCS-RIB-0003 - 60x60 BLACK RIBBED INSERTS	4
G	ACCS-RIB-0020 - 120x120 BLACK RIBBED INSERT	2

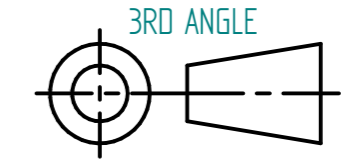
Rev	Comments	Date
B	Hinge Post Increased In Size	04/05/22
A	New Revised Drawing	14/07/21

NAME	DATE	TITLE
LT	04/05/22	MESH-KIT-6435 - 3.0m X 6.0m WIDE DOUBLE LEAF BOLT DOWN 868 MESH GATE KIT
TOLERANCE		± 2mm Unless Stated Otherwise
DRAWN		3RD ANGLE
SIZE	A2	REV B
WEIGHT: 367.8 kg		SHEET 4 OF 6

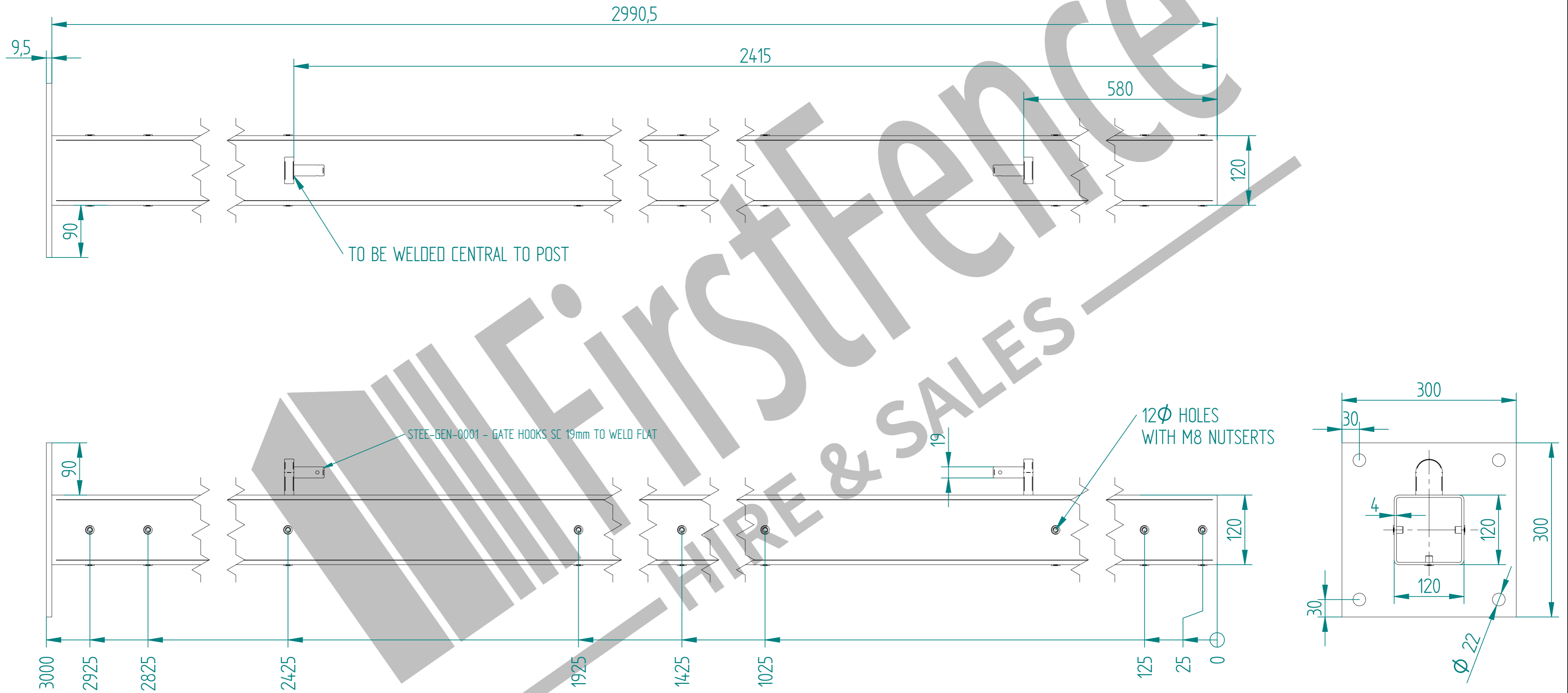


Rev	Comments	Date
B	Hinge Post Increased In Size	04/05/22
A	New Revised Drawing	14/07/21

DRAWN	NAME	DATE	TITLE
LT	LT	04/05/22	MESH-KIT-6435 - 3.0m X 6.0m WIDE DOUBLE LEAF BOLT DOWN 868 MESH GATE KIT
TOLERANCE			 First Fence Ltd, Kiln Way, Swadlincote, Derbyshire, DE11 8EA 01283 512 111 sales@firstfence.co.uk
3RD ANGLE			NOTE: SHOULD ANY DISCREPANCIES BE FOUND WITH THIS DRAWING, PLEASE INFORM FIRST FENCE COPYRIGHT OF THIS DRAWING IS OWNED BY FIRST FENCE LIMITED.
SIZE			REV
A2			B
WEIGHT: 367.8 kg			SHEET 5 OF 6



3.0m HIGH BOLT DOWN MESH HINGE GATE POST 120X120 BOX SECTION



NAME	DATE	TITLE
DRAWN LT	04/05/22	MESH-HIN-3038 - 3.0m HIGH BOLT DOWN MESH HINGE GATE POST 120X120 BOX SECTION
TOLERANCE	± 2mm Unless Stated Otherwise	
SIZE A2	NOTE: SHOULD ANY DISCREPANCIES BE FOUND WITH THIS DRAWING, PLEASE INFORM FIRSTFENCE. COPYRIGHT OF THIS DRAWING IS OWNED BY FIRSTFENCE LIMITED.	REV B
WEIGHT: 50.1 kg		SHEET 6 OF 6