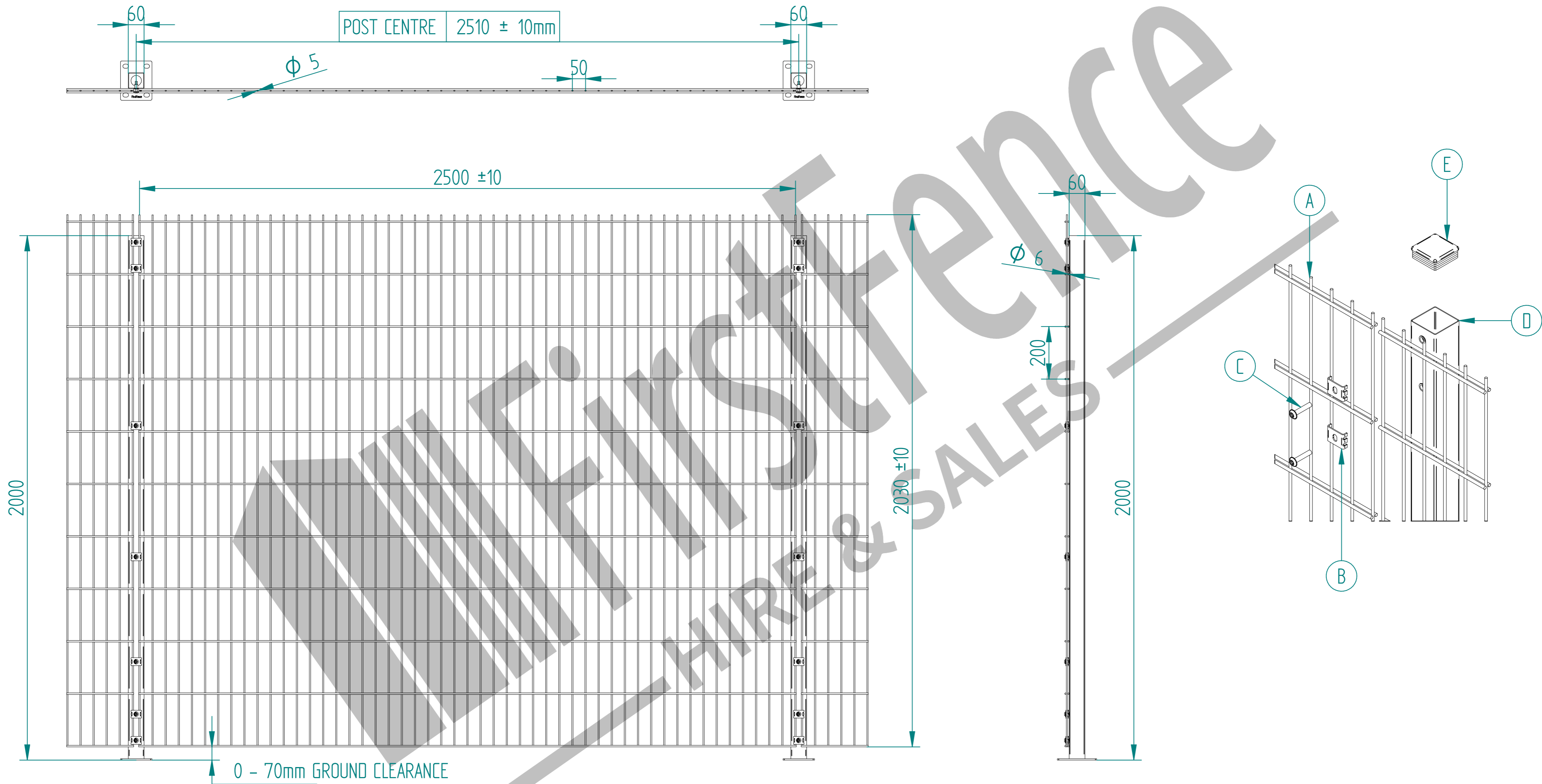


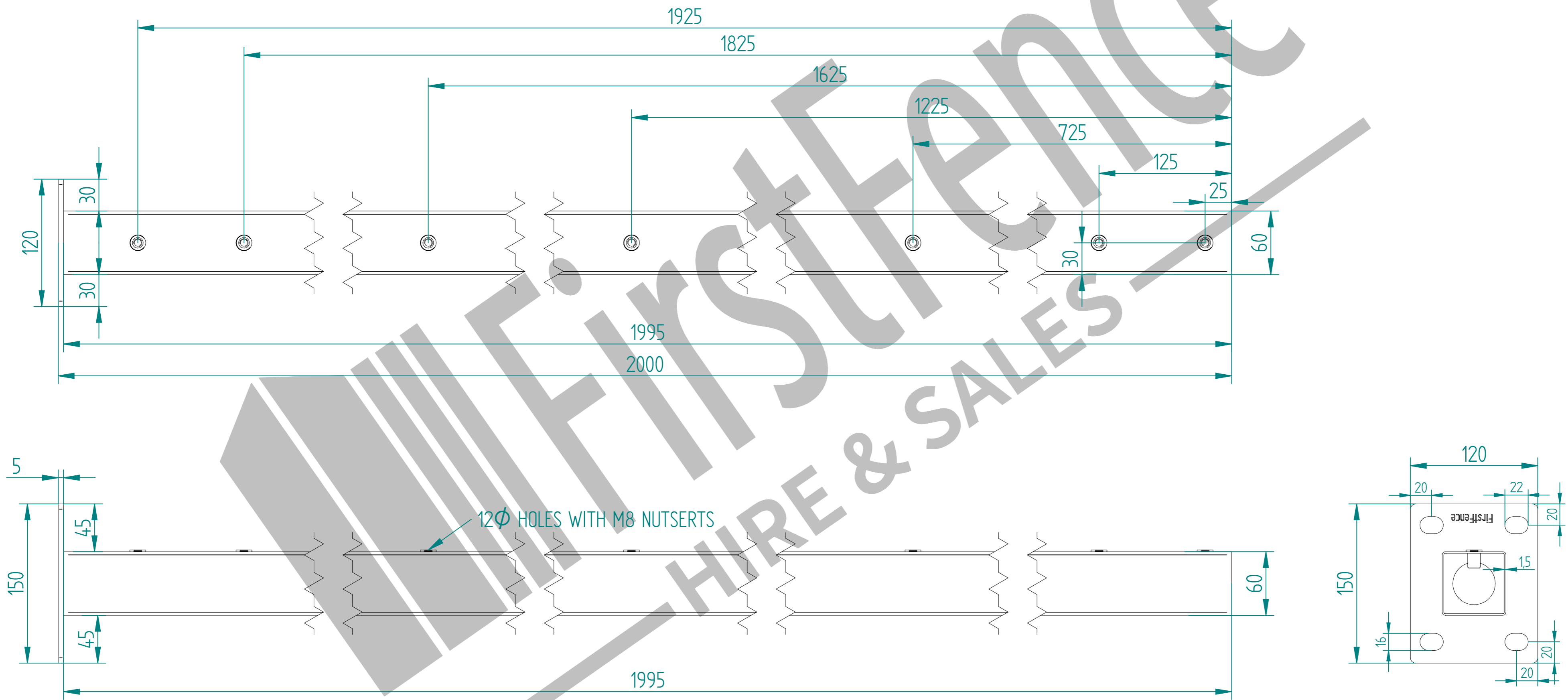
2.0m HIGH 656 MESH FENCING WITH 60x60 BOLT DOWN KIT


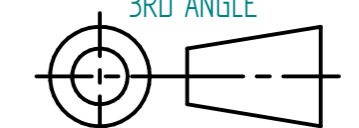


Item	Component Name	Quantity
A	MESH-656-2003 - 2.0m HIGH X 2.5m WIDE 656 MESH FENCE PANEL ONLY	1
B	ACCS-MSH-0001 - UNIVERSAL MESH FENCING BLACK FIXING CLIPS	7
C	ACCS-MSH-0050 - M8 x 40mm MESH SECURITY BOLT	7
D	MESH-POS-9642 - 2.0m HIGH BOLT DOWN 60X60 INTERMEDIATE POST ONLY	1
E	ACCS-RIB-0003 - 60x60 BLACK RIBBED INSERTS	1

NAME	DATE	TITLE
LT	10/08/20	MESH-KIT-1123 - 2.0m HIGH 656 MESH FENCING WITH 60X60 BOLT DOWN KIT
TOLERANCE ± 2mm Unless Stated Otherwise		First Fence Ltd, Kiln Way, Swadlincote, Derbyshire, DE11 8EA 01283 512 111 sales@firstfence.co.uk
3RD ANGLE		
SIZE A2	NOTE: SHOULD ANY DISCREPANCIES BE FOUND WITH THIS DRAWING, PLEASE INFORM FIRSTFENCE. COPYRIGHT OF THIS DRAWING IS OWNED BY FIRSTFENCE LIMITED.	REV A
WEIGHT: N/A		SHEET 1 OF 2

2.0m HIGH BOLT DOWN 60X60 INTERMEDIATE POST



	NAME	DATE	TITLE
DRAWN	LT	10/08/20	2.0m HIGH BOLT DOWN 60X60 INTERMEDIATE POST
TOLERANCE	± 2mm Unless Stated Otherwise		 First Fence Ltd, Kiln Way, Swadlincote, Derbyshire, DE11 8EA 01283 512 111 sales@firstfence.co.uk
3RD ANGLE 			NOTE: SHOULD ANY DISCREPANCIES BE FOUND WITH THIS DRAWING, PLEASE INFORM FIRSTFENCE COPYRIGHT OF THIS DRAWING IS OWNED BY FIRSTFENCE LIMITED.
SIZE	A2	REV	A
WEIGHT: 6.1 kg		SHEET 2 OF 2	