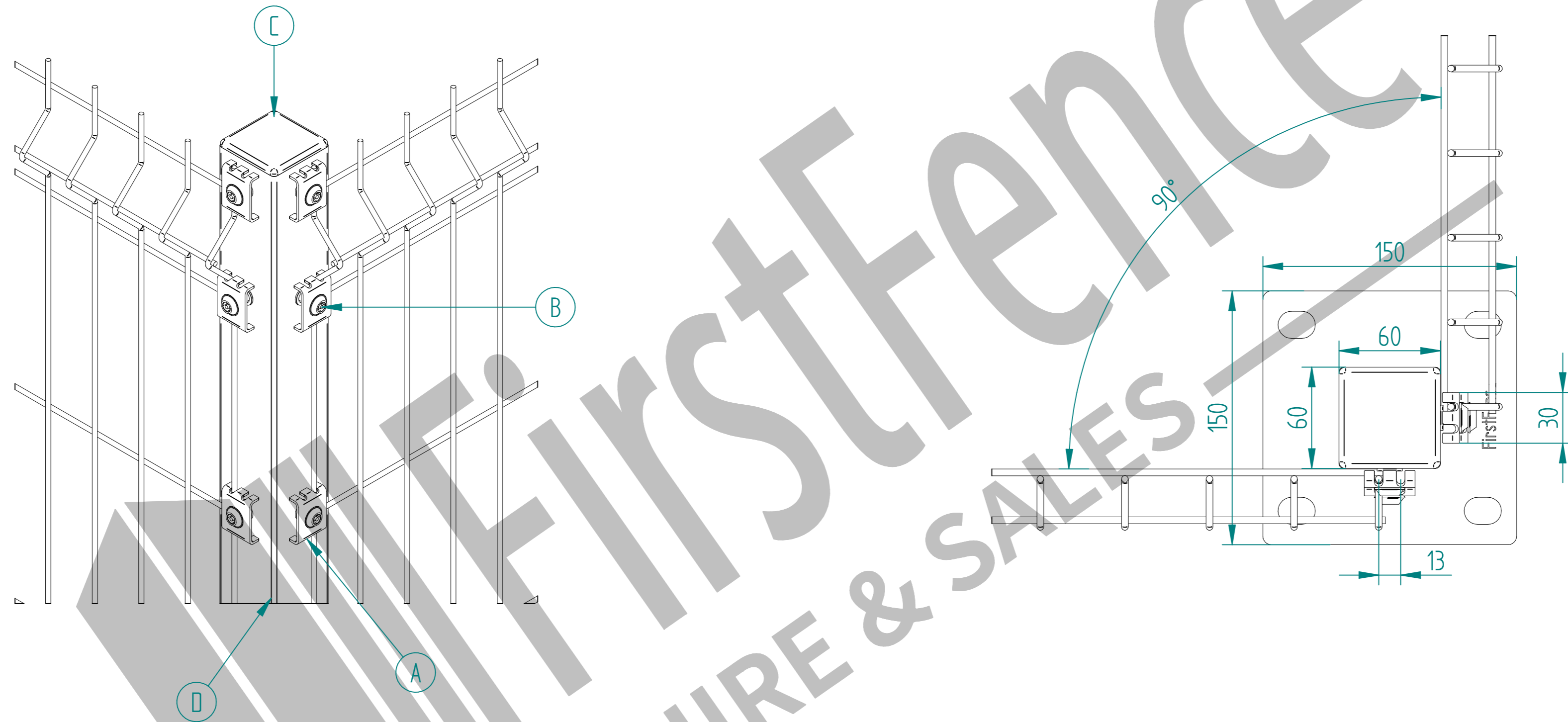


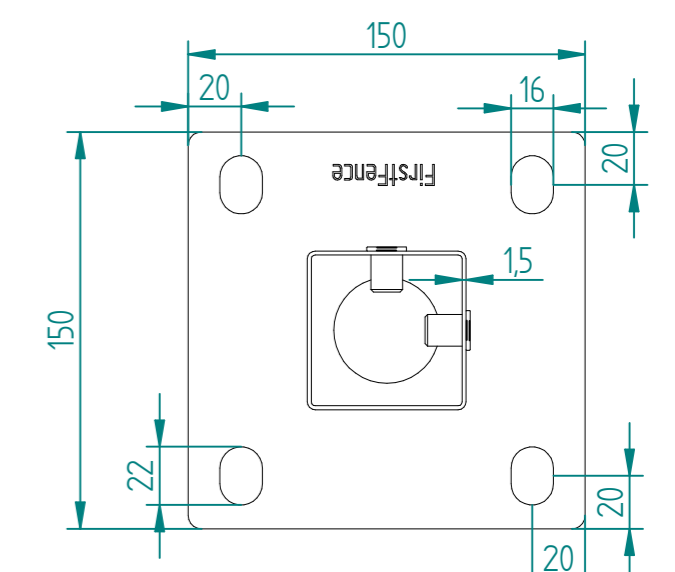
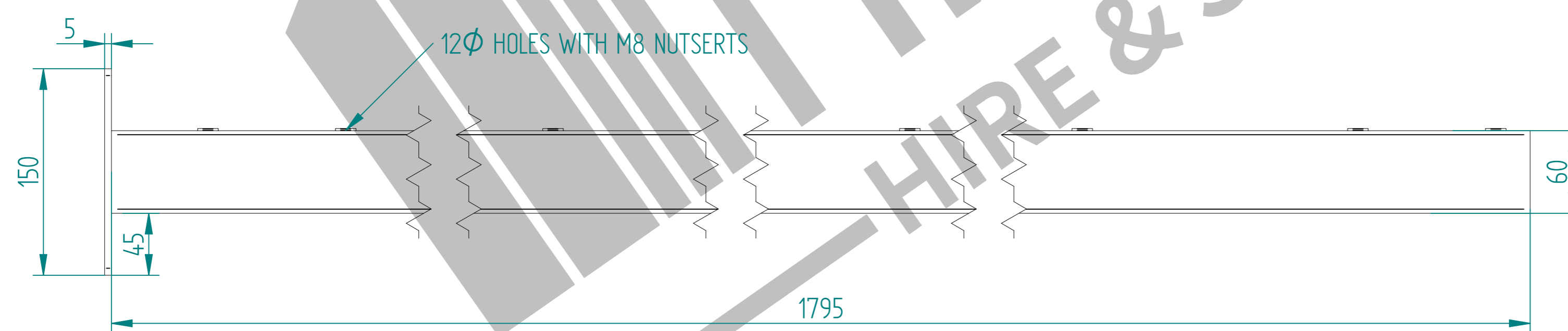
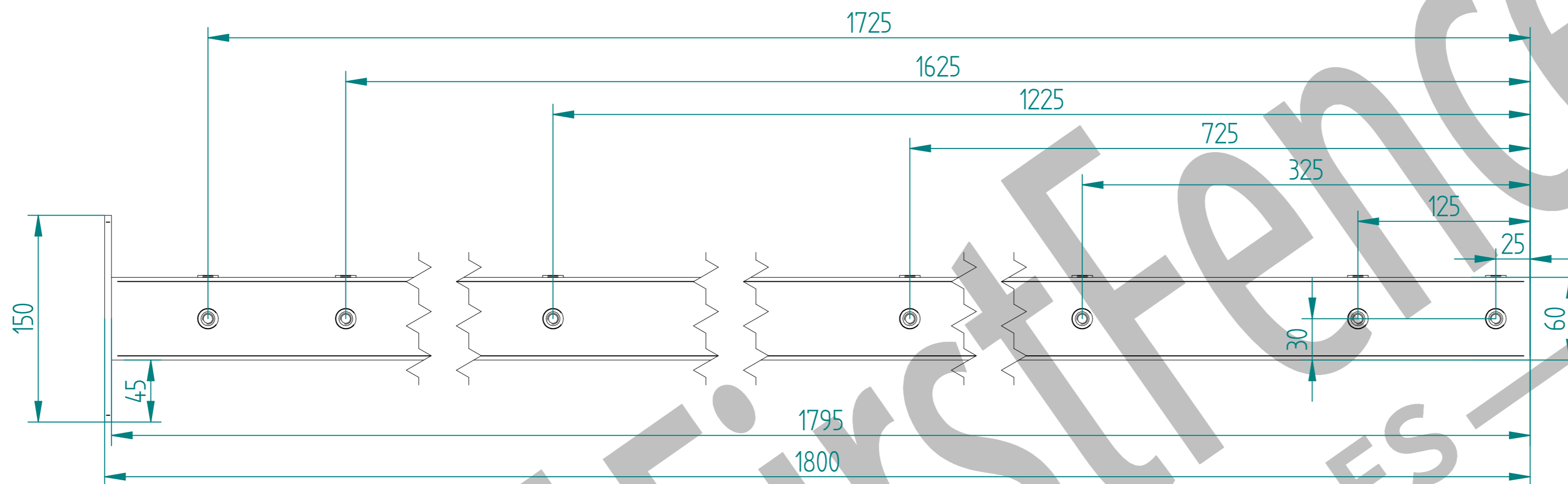
# 1.8m HIGH BOLT DOWN 60x60 CORNER POST KIT (V-MESH)


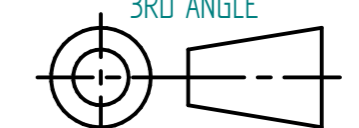


Item	Component Name	Quantity
A	ACC5-MSH-0001 - UNIVERSAL MESH FENCING BLACK FIXING CLIPS	14
B	ACC5-MSH-0050 - M8 x 40mm MESH SECURITY BOLT	14
C	ACC5-RIB-0003 - 60x60 BLACK RIBBED INSERTS	1
D	MESH-POS-9132 - 1.8m HIGH BOLT DOWN 60X60 CORNER POST	1

	NAME	DATE	TITLE
DRAWN	LT	31/07/20	MESH-KIT-9132 - 1.8m HIGH BOLT DOWN 60X60 CORNER POST KIT ( V Mesh )
TOLERANCE	± 2mm Unless Stated Otherwise		
	3RD ANGLE		
			<b>FirstFence</b> First Fence Ltd, Kiln Way, Swadincote, Derbyshire, DE11 8EA 01283 512 111 sales@firstfence.co.uk
	SIZE	NOTE: SHOULD ANY DISCREPANCIES BE FOUND WITH THIS DRAWING, PLEASE INFORM FIRSTFENCE. COPYRIGHT OF THIS DRAWING IS OWNED BY FIRSTFENCE LIMITED.	REV A
	WEIGHT: N/A		SHEET 1 OF 2

# 1.8m HIGH BOLT DOWN 60X60 CORNER POST



	NAME	DATE	TITLE
DRAWN	LT	31/07/20	1.8m HIGH BOLT DOWN 60X60 CORNER POST
TOLERANCE	± 2mm Unless Stated Otherwise		 First Fence Ltd, Kiln Way, Swadincote, Derbyshire, DE11 8EA 01283 512 111 sales@firstfence.co.uk
	 3RD ANGLE		
	SIZE	A2	REV A
	WEIGHT: 5.7 kg		SHEET 2 OF 2