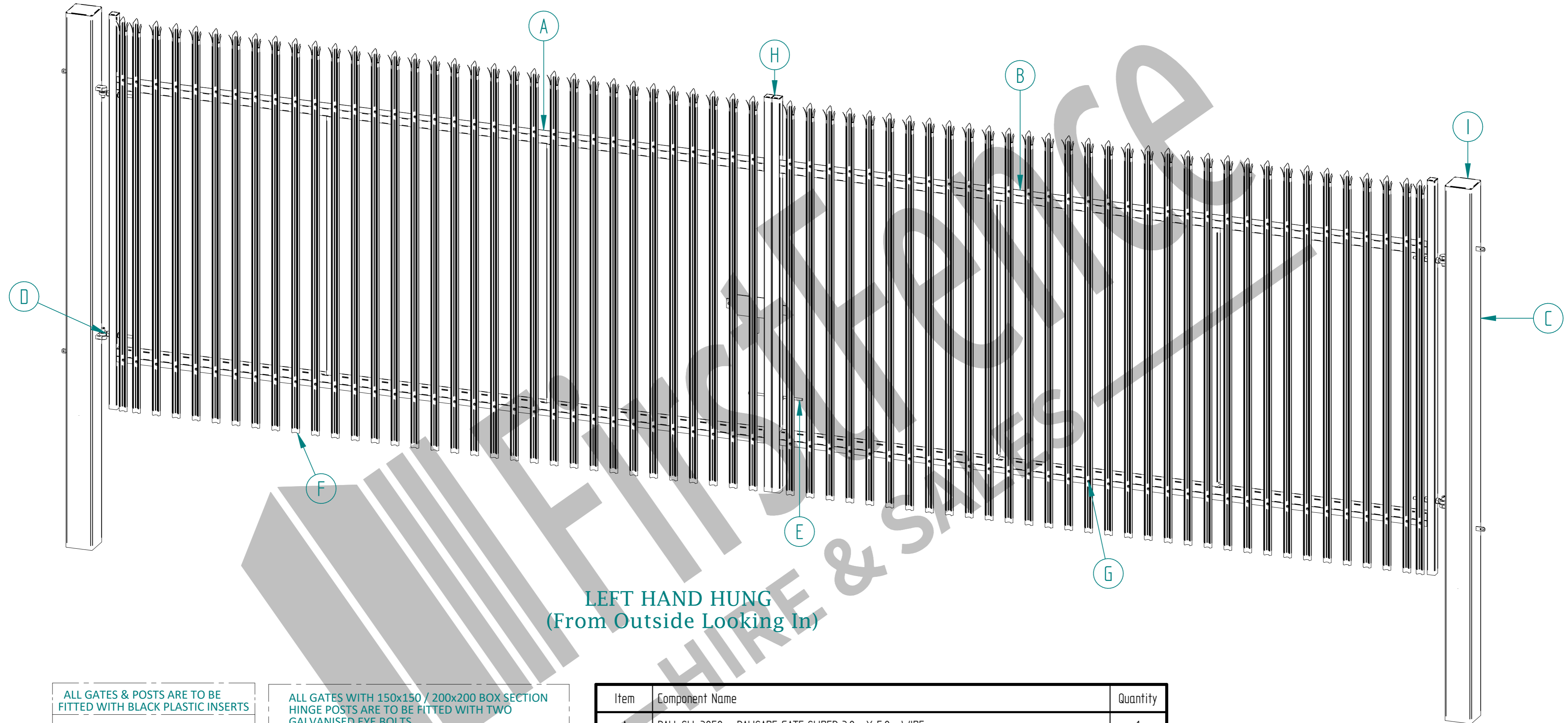
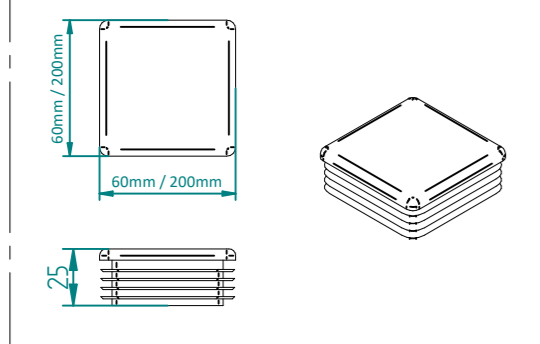


3.0m X 10.0m WIDE DOUBLE LEAF DIG IN PALISADE GATE KIT

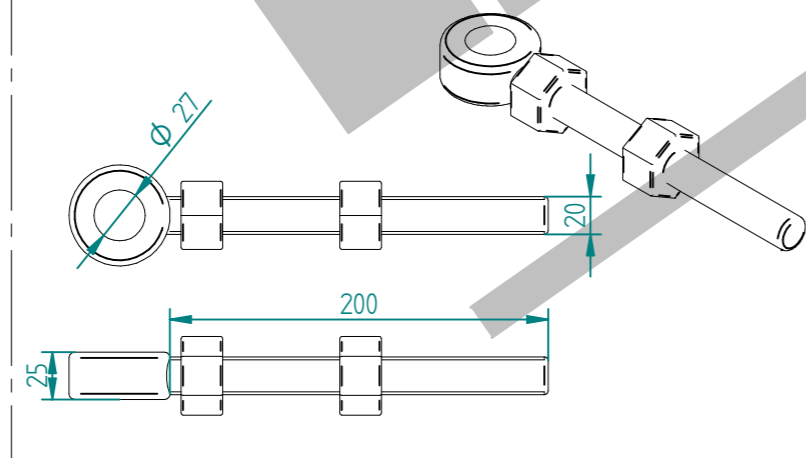


LEFT HAND HUNG
(From Outside Looking In)

ALL GATES & POSTS ARE TO BE FITTED WITH BLACK PLASTIC INSERTS

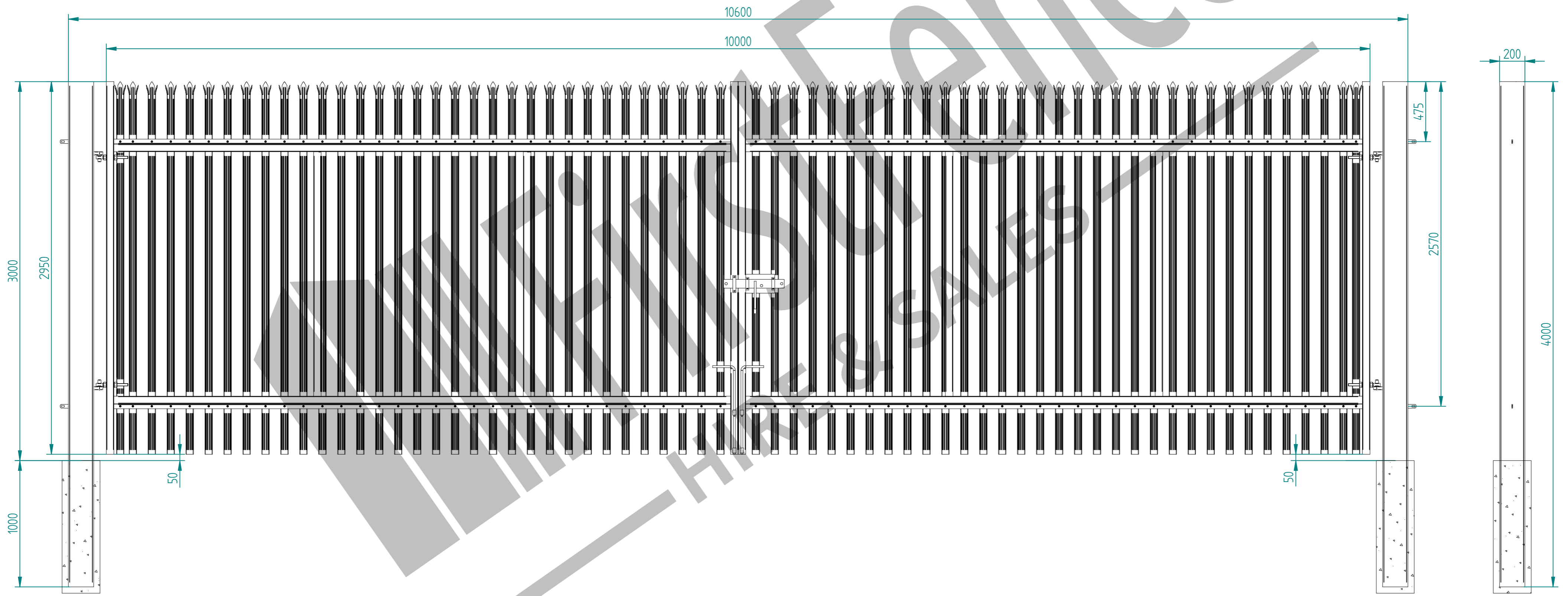
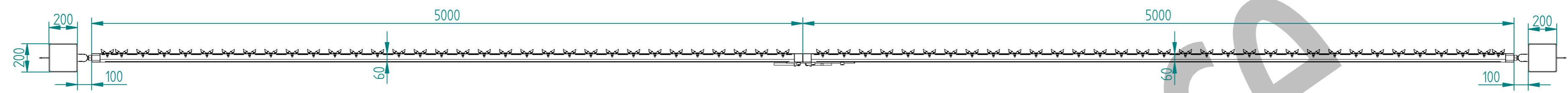


ALL GATES WITH 150x150 / 200x200 BOX SECTION HINGE POSTS ARE TO BE FITTED WITH TWO GALVANISED EYE BOLTS



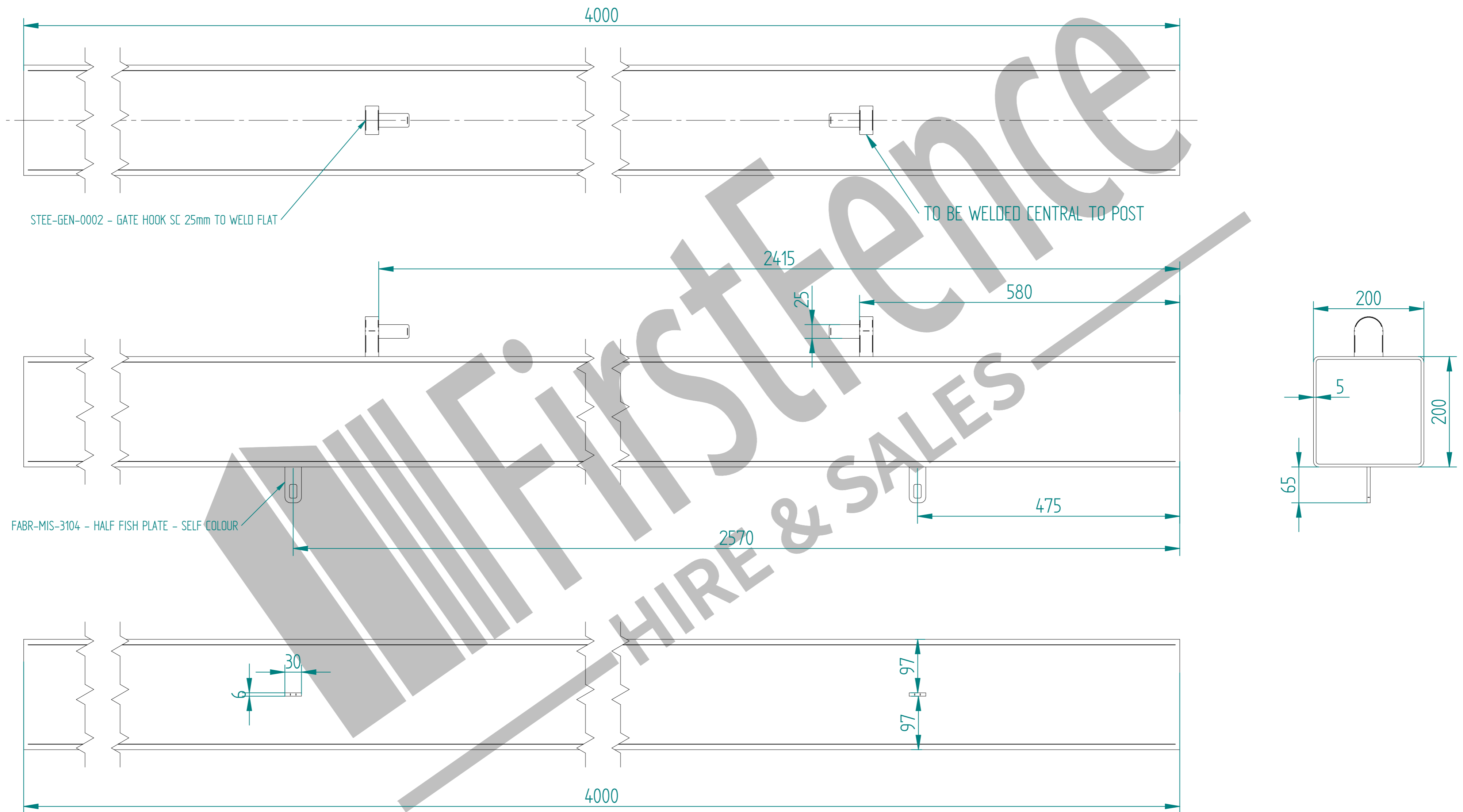
Item	Component Name	Quantity
A	PALI-SLI-3050 - PALISADE GATE SLIDER 3.0m X 5.0m WIDE	1
B	PALI-CAT-3050 - PALISADE GATE CATCH 3.0m X 5.0m WIDE	1
C	PALI-POS-0035 - 3.0m HIGH DIG IN PALISADE HINGE GATE POST 200X200 BOX SECTION	2
D	ACCES-GEN-0002 - ADJUSTABLE GATE EYE G 200mm cw 25mm	4
E	ACCES-GEN-0101 - UNIVERSAL GATE DROP BOLT	2
F	TRIPLE POINT PALE / ROUND & NOTCHED / SINGLE POINT. ON REQUEST	66
G	ACCES-PAL-0002 - M8 X 25mm BOLT / ACCES-PAL-0003 - M8 SNAP OFF NUT FOR SECURITY BOLTS	132
H	ACCES-RIB-0003 - 60x60 BLACK RIBBED INSERTS	4
I	ACCES-RIB-0008 - 200x200 BLACK RIBBED INSERTS	2

NAME	DATE	TITLE
LT	07/07/22	PALI-KIT-1589 - 3.0m X 10.0m WIDE TRIPLE POINTED DOUBLE LEAF DIG IN PALISADE GATE KIT
TOLERANCE ± 2mm Unless Stated Otherwise		FirstFence® First Fence Ltd, Kiln Way, Swadlincote, Derbyshire, DE11 8EA 01283 512 111 sales@firstfence.co.uk
3RD ANGLE		NOTE: SHOULD ANY DISCREPANCIES BE FOUND WITH THIS DRAWING, PLEASE INFORM FIRSTFENCE. COPYRIGHT OF THIS DRAWING IS OWNED BY FIRSTFENCE LIMITED.
SIZE A2	WEIGHT: 586.0 kg	REV A



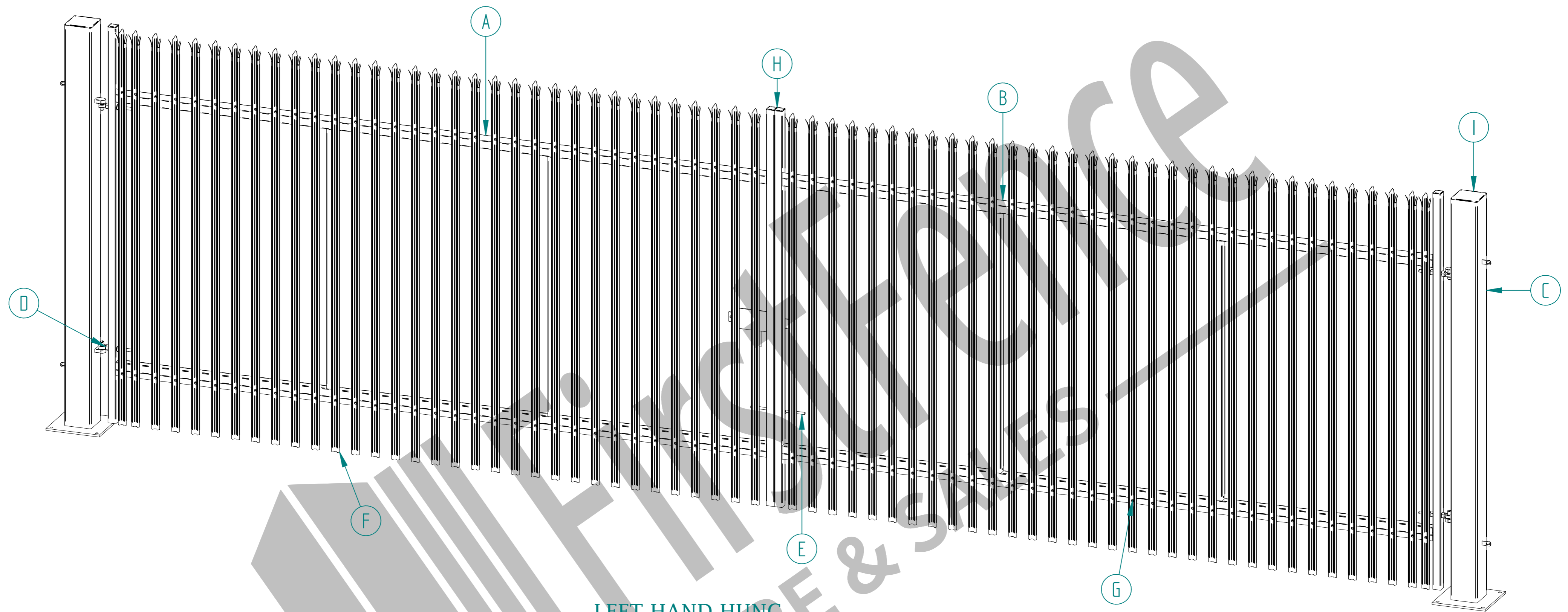
	NAME	DATE	TITLE
DRAWN	LT	07/07/22	PALI-KIT-1589 - 3.0m X 10.0m WIDE TRIPLE POINTED DOUBLE LEAF DIG IN PALISADE GATE KIT
TOLERANCE	± 2mm Unless Stated Otherwise		First Fence Ltd, Kiln Way, Swadlincote, Derbyshire, DE11 8EA 01283 512 111 sales@firstfence.co.uk
3RD ANGLE			
SIZE	A2		REV A
WEIGHT: 586.0 kg			SHEET 2 OF 6

3.0m HIGH DIG IN PALISADE HINGE GATE POST 200X200 BOX SECTION



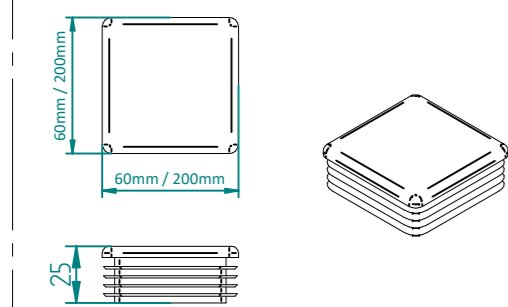
NAME	DATE	TITLE
LT	07/07/22	PALI-POS-0035 -3.0m HIGH DIG IN PALISADE HINGE GATE POST 200X200 BOX SECTION
TOLERANCE	± 2mm Unless Stated Otherwise	First Fence Derbyshire, DE11 8EA 01283 512 111 sales@firstfence.co.uk
3RD ANGLE	NOTE: SHOULD ANY DISCREPANCIES BE FOUND WITH THIS DRAWING, PLEASE INFORM FIRST FENCE. COPYRIGHT OF THIS DRAWING IS OWNED BY FIRST FENCE LIMITED.	REV A
SIZE A2	WEIGHT: 122.1 kg	SHEET 3 OF 6

3.0m X 10.0m WIDE DOUBLE LEAF BOLT DOWN PALISADE GATE KIT

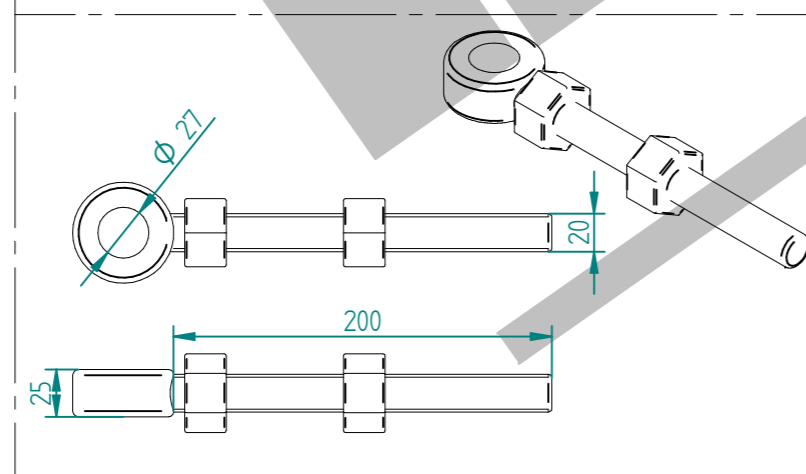


LEFT HAND HUNG
(From Outside Looking In)

ALL GATES & POSTS ARE TO BE FITTED WITH BLACK PLASTIC INSERTS

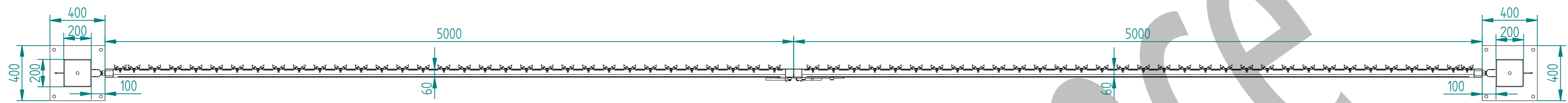


ALL GATES WITH 150x150 / 200x200 BOX SECTION HINGE POSTS ARE TO BE FITTED WITH TWO GALVANISED EYE BOLTS



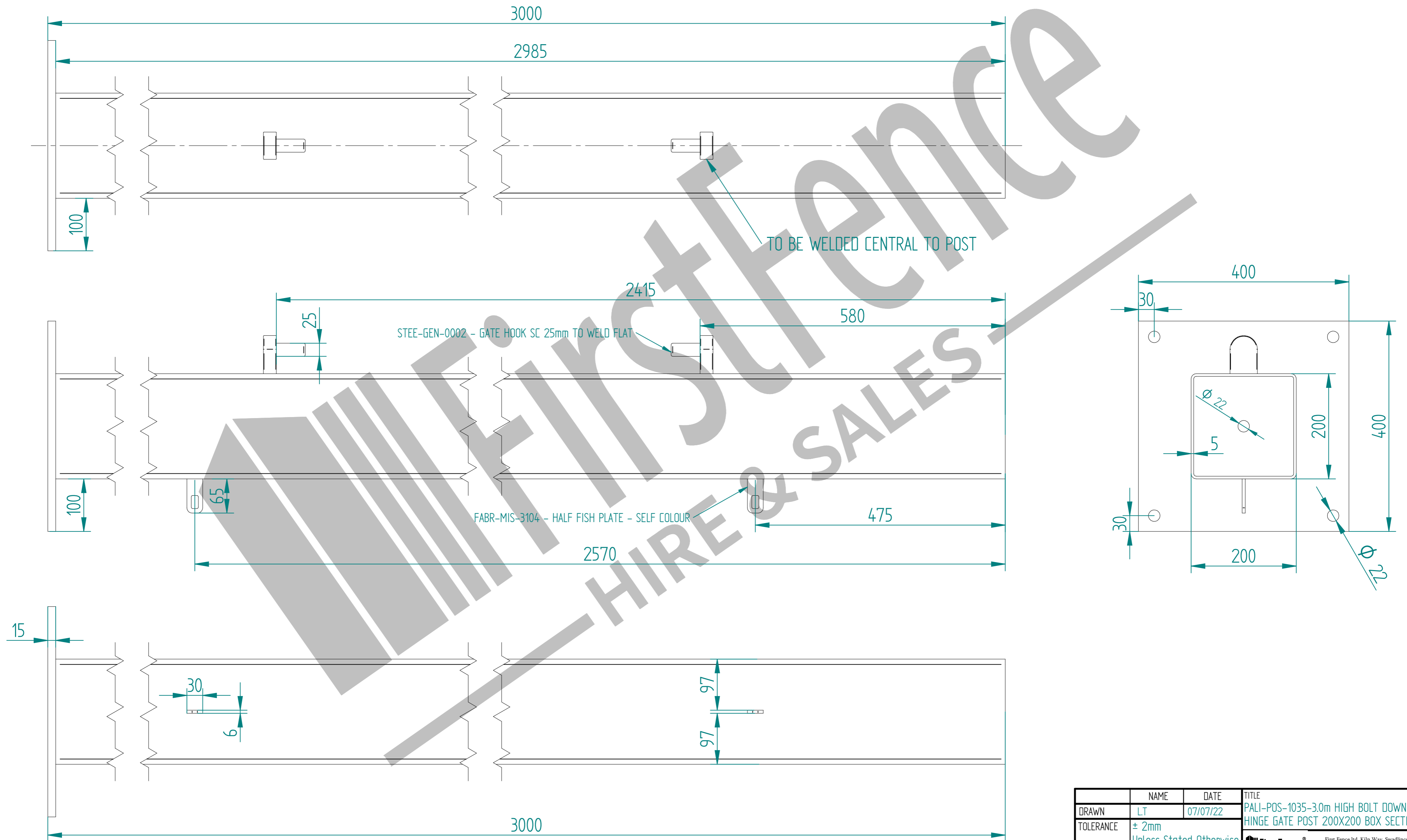
Item	Component Name	Quantity
A	PALI-SLI-3050 - PALISADE GATE SLIDER 3.0m X 5.0m WIDE	1
B	PALI-CAT-3050 - PALISADE GATE CATCH 3.0m X 5.0m WIDE	1
C	PALI-POS-0035 - 3.0m HIGH DIG IN PALISADE HINGE GATE POST 200X200 BOX SECTION	2
D	ACCS-GEN-0002 - ADJUSTABLE GATE EYE G 200mm cw 25mm	4
E	ACCS-GEN-0101 - UNIVERSAL GATE DROP BOLT	2
F	TRIPLE POINT PALE / ROUND & NOTCHED / SINGLE POINT. ON REQUEST	66
G	ACCS-PAL-0002 - M8 X 25mm BOLT / ACCS-PAL-0003 - M8 SNAP OFF NUT FOR SECURITY BOLTS	132
H	ACCS-RIB-0003 - 60x60 BLACK RIBBED INSERTS	4
I	ACCS-RIB-0008 - 200x200 BLACK RIBBED INSERTS	2

NAME	DATE	TITLE	PALI-KIT-2589 - 3.0m X 10.0m WIDE TRIPLE POINTED DOUBLE LEAF BOLT DOWN PALISADE GATE KIT
DRAWN	07/07/22	LT	
TOLERANCE	± 2mm Unless Stated Otherwise		FirstFence® First Fence Ltd, Kiln Way, Swadlincote, Derbyshire, DE11 8EA 01283 512 111 sales@firstfence.co.uk
3RD ANGLE 			
SIZE	A2	REV	A
WEIGHT: 562.3 kg			SHEET 4 OF 6



	NAME	DATE	TITLE
DRAWN	LT	07/07/22	PALI-KIT-2589 - 3.0m X 10.0m WIDE TRIPLE POINTED DOUBLE LEAF BOLT DOWN PALISADE GATE KIT
TOLERANCE	± 2mm Unless Stated Otherwise		First Fence Ltd, Kiln Way, Swadlincote, Derbyshire, DE11 8EA 01283 512 111 sales@firstfence.co.uk
	3RD ANGLE		
	SIZE	A2	REV A
	WEIGHT:	562.3 kg	SHEET 5 OF 6

3.0m HIGH BOLT DOWN PALISADE HINGE GATE POST 200X200 BOX SECTION



	NAME	DATE	TITLE
DRAWN	LT	07/07/22	PALI-POS-1035-3.0m HIGH BOLT DOWN PALISADE HINGE GATE POST 200X200 BOX SECTION
TOLERANCE	± 2mm Unless Stated Otherwise		First Fence Ltd, Kiln Way, Swadlincote, Derbyshire, DE11 8EA 01283 512 111 sales@firstfence.co.uk
3RD ANGLE			
SIZE A2			REV A
WEIGHT: 110.2 kg			SHEET 6 OF 6