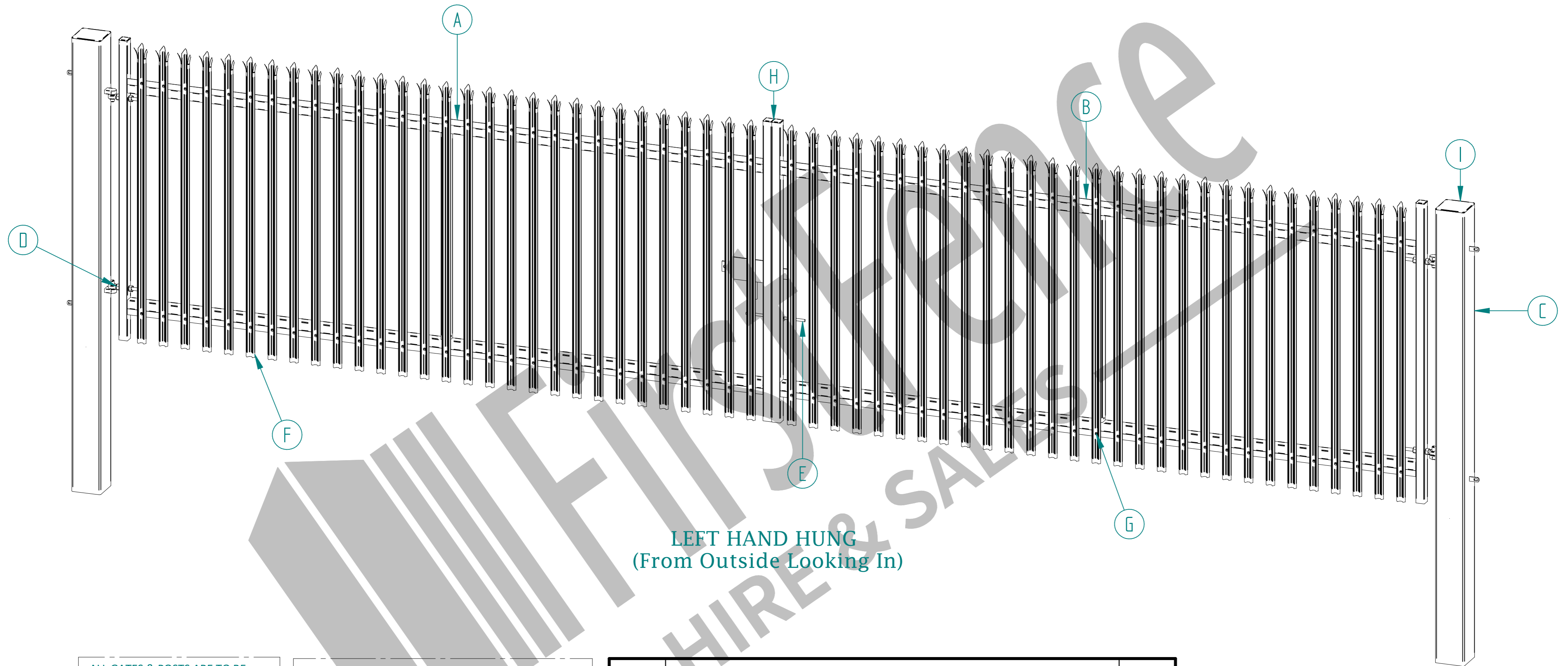
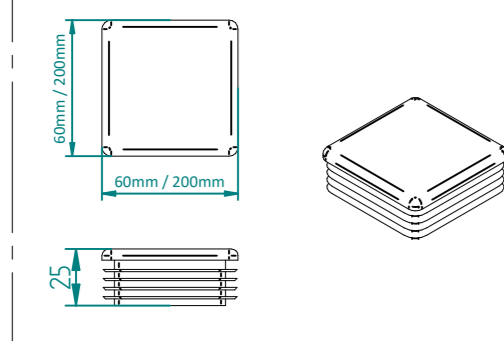


2.1m X 9.0m WIDE DOUBLE LEAF DIG IN PALISADE GATE KIT

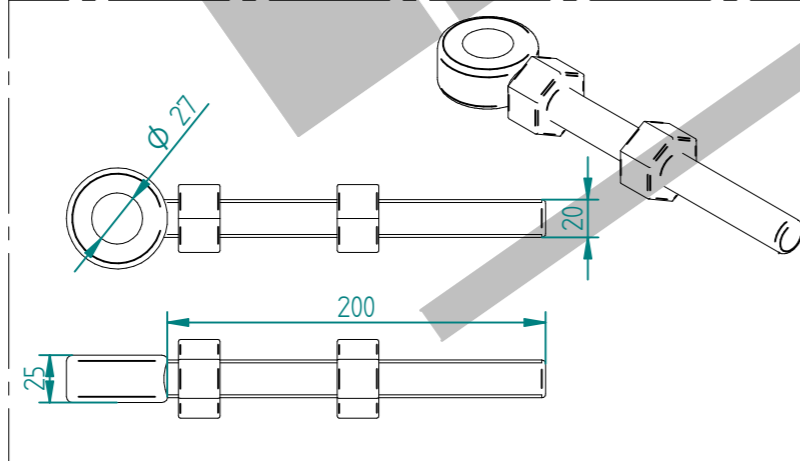


LEFT HAND HUNG
(From Outside Looking In)

ALL GATES & POSTS ARE TO BE FITTED WITH BLACK PLASTIC INSERTS

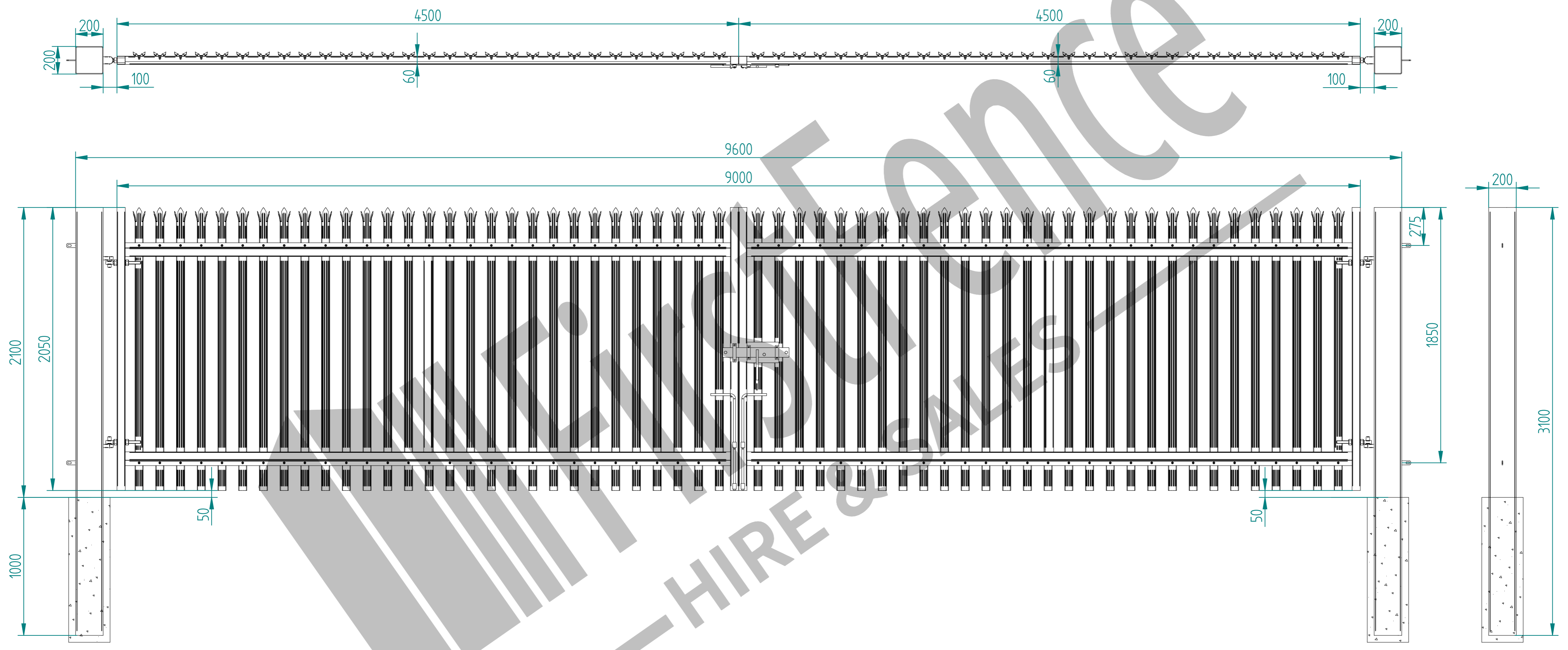


ALL GATES WITH 150x150 / 200x200 BOX SECTION HINGE POSTS ARE TO BE FITTED WITH TWO GALVANISED EYE BOLTS



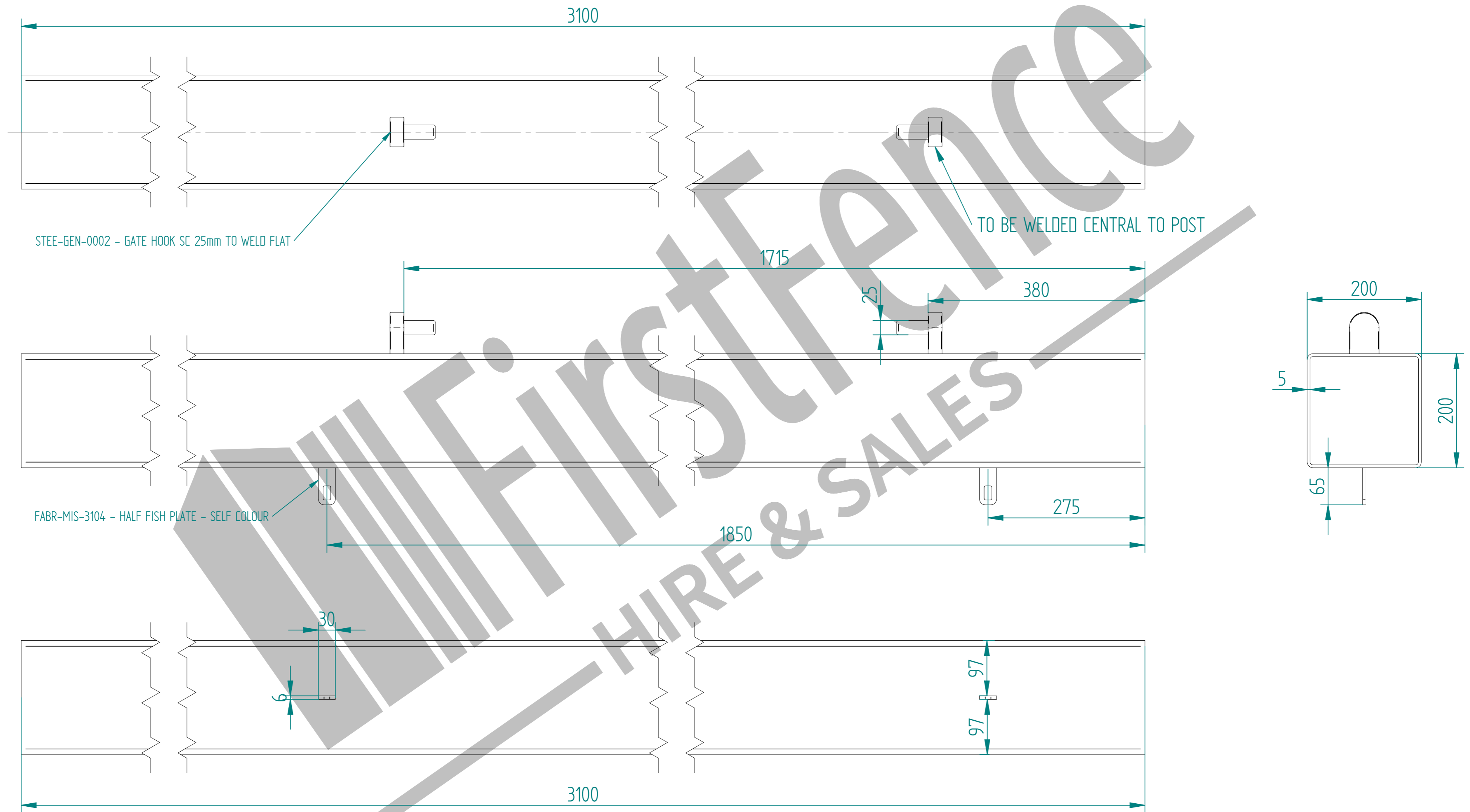
Item	Component Name	Quantity
A	PALI-SLI-2145 - PALISADE GATE SLIDER 2.1m X 4.5m WIDE	1
B	PALI-CAT-2145 - PALISADE GATE CATCH 2.1m X 4.5m WIDE	1
C	PALI-POS-0033 - 2.1m HIGH DIG IN PALISADE HINGE GATE POST 200X200 BOX SECTION	2
D	ACCS-GEN-0002 - ADJUSTABLE GATE EYE G 200mm cw 25mm	4
E	ACCS-GEN-0101 - UNIVERSAL GATE DROP BOLT	2
F	TRIPLE POINT PALE / ROUND & NOTCHED / SINGLE POINT. ON REQUEST	58
G	ACCS-PAL-0002 - M8 X 25mm BOLT / ACCS-PAL-0003 - M8 SNAP OFF NUT FOR SECURITY BOLTS	116
H	ACCS-RIB-0003 - 60x60 BLACK RIBBED INSERTS	4
I	ACCS-RIB-0008 - 200x200 BLACK RIBBED INSERTS	2


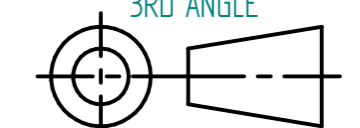
NAME	DATE	TITLE
LT	07/07/22	PALI-KIT-1548 - 2.1m X 9.0m WIDE TRIPLE POINTED DOUBLE LEAF DIG IN PALISADE GATE KIT
TOLERANCE ± 2mm Unless Stated Otherwise		First Fence Ltd, Kiln Way, Swadlincote, Derbyshire, DE11 8EA 01283 512 111 sales@firstfence.co.uk
3RD ANGLE		
SIZE A2	WEIGHT: 431.2 kg	REV A



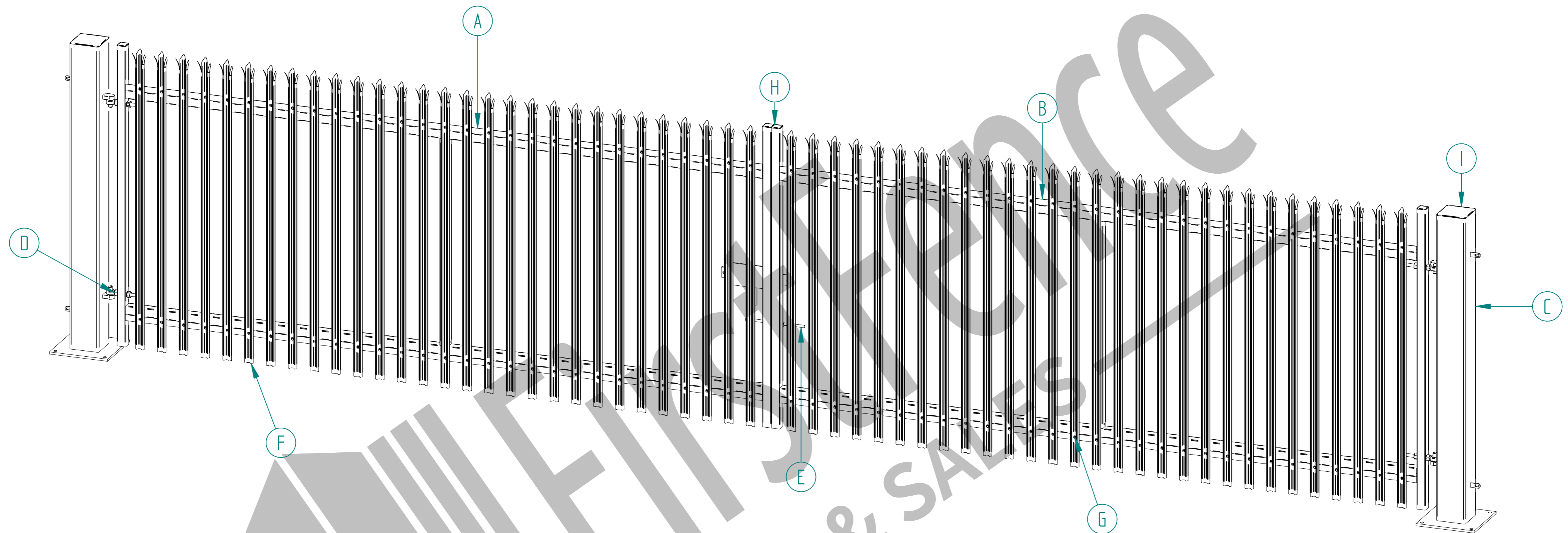
	NAME	DATE	TITLE
DRAWN	LT	07/07/22	PALI-KIT-1548 - 2.1m X 9.0m WIDE TRIPLE POINTED DOUBLE LEAF DIG IN PALISADE GATE KIT
TOLERANCE	± 2mm Unless Stated Otherwise		First Fence Ltd, Kiln Way, Swadincote, Derbyshire, DE11 8EA 01283 512 111 sales@firstfence.co.uk
3RD ANGLE			
			REV A
			SHEET 2 OF 6

2.1m HIGH DIG IN PALISADE HINGE GATE POST 200X200 BOX SECTION



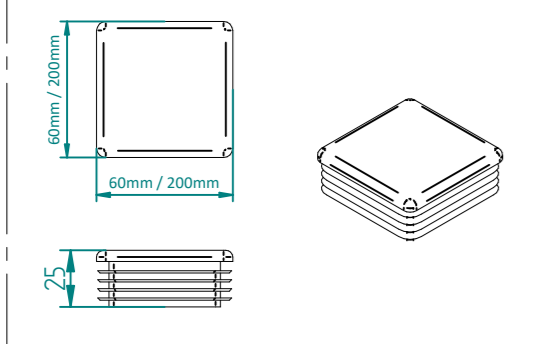
	NAME	DATE	TITLE
DRAWN	LT	07/07/22	PALI-POS-0033 - 2.1m HIGH DIG IN PALISADE HINGE GATE POST 200X200 BOX SECTION
TOLERANCE	± 2mm Unless Stated Otherwise		 First Fence Ltd, Kiln Way, Swadlincote, Derbyshire, DE11 8EA 01283 512 111 sales@firstfence.co.uk
 3RD ANGLE			NOTE: SHOULD ANY DISCREPANCIES BE FOUND WITH THIS DRAWING, PLEASE INFORM FIRSTFENCE. COPYRIGHT OF THIS DRAWING IS OWNED BY FIRSTFENCE LIMITED. SIZE A2 WEIGHT: 95.0 kg
			REV A

2.1m X 9.0m WIDE DOUBLE LEAF BOLT DOWN PALISADE GATE KIT

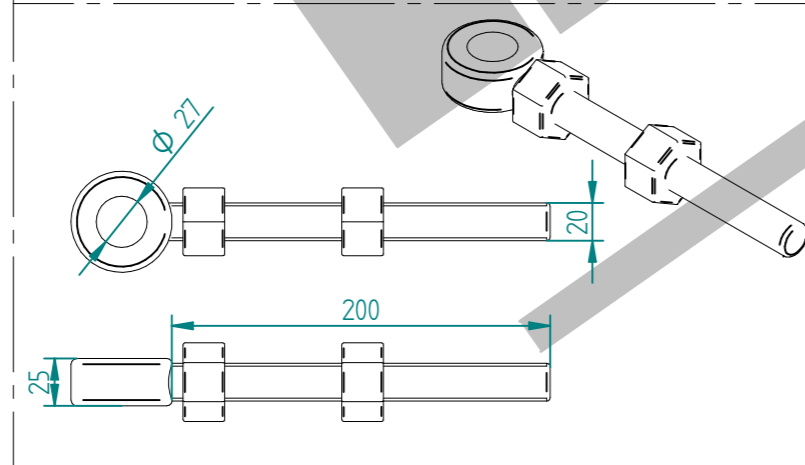


LEFT HAND HUNG
(From Outside Looking In)

ALL GATES & POSTS ARE TO BE FITTED WITH BLACK PLASTIC INSERTS

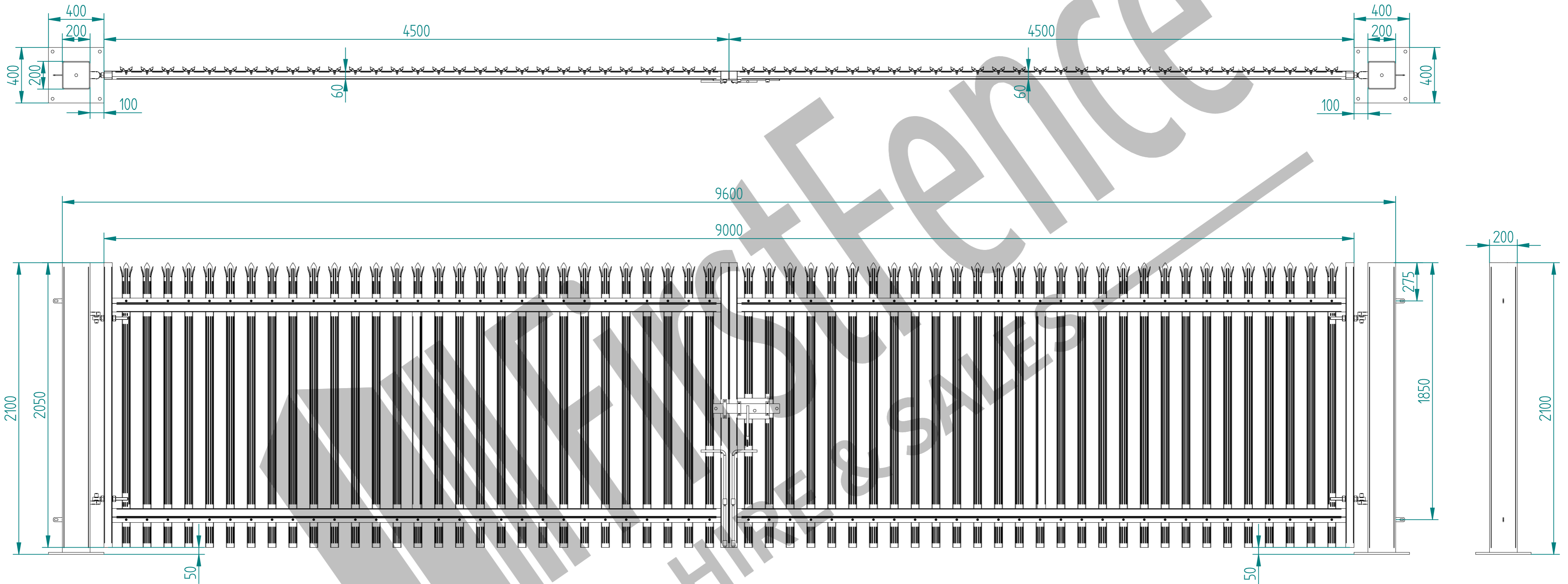


ALL GATES WITH 150x150 / 200x200 BOX SECTION HINGE POSTS ARE TO BE FITTED WITH TWO GALVANISED EYE BOLTS



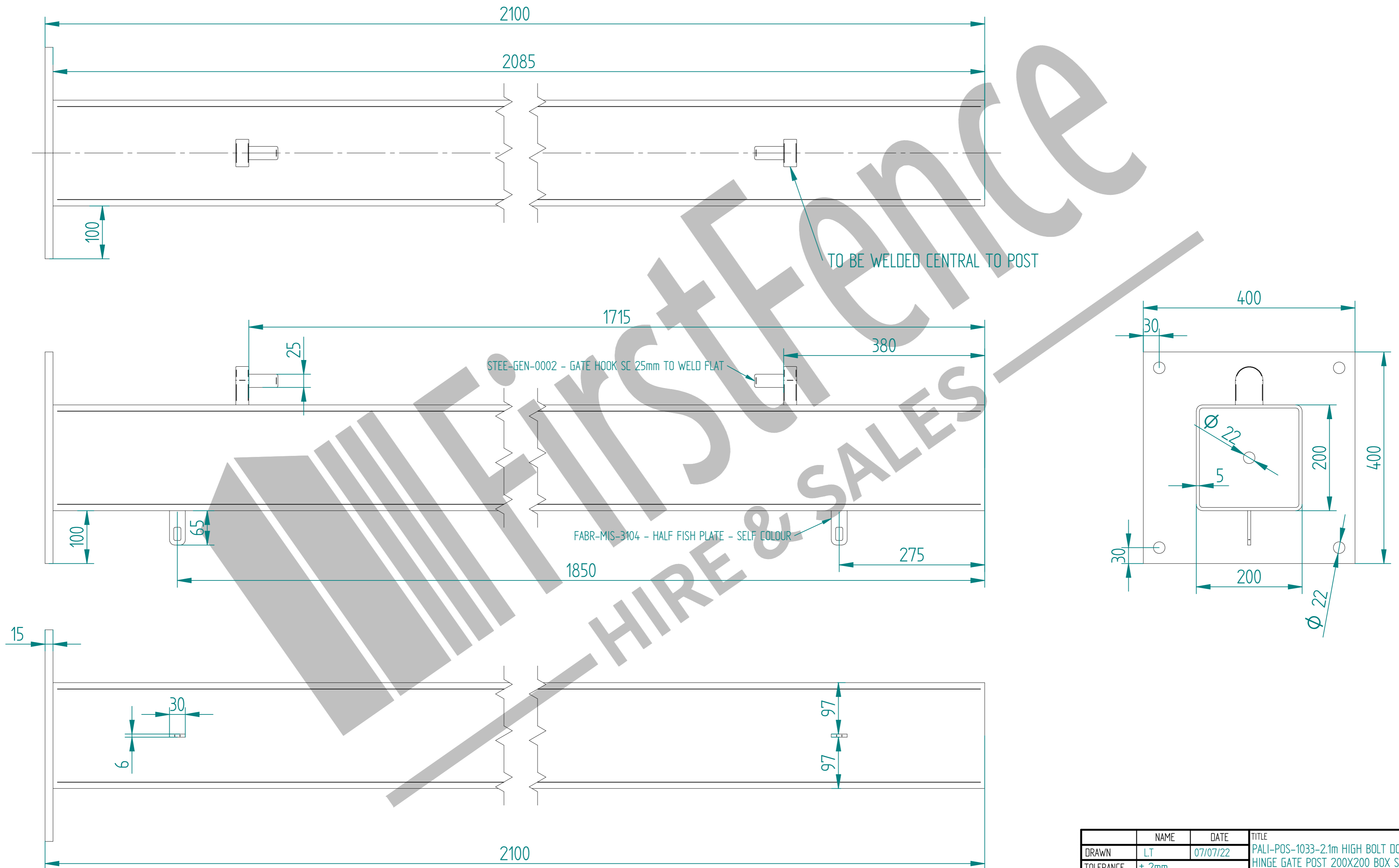
Item	Component Name	Quantity
A	PALI-SLI-2145 - PALISADE GATE SLIDER 2.1m X 4.5m WIDE	1
B	PALI-CAT-2145 - PALISADE GATE CATCH 2.1m X 4.5m WIDE	1
C	PALI-POS-1033 - 2.1m HIGH BOLT DOWN PALISADE HINGE GATE POST 200X200 BOX SECTION	2
D	ACCES-GEN-0002 - ADJUSTABLE GATE EYE G 200mm cw 25mm	4
E	ACCES-GEN-0101 - UNIVERSAL GATE DROP BOLT	2
F	TRIPLE POINT PALE / ROUND & NOTCHED / SINGLE POINT. ON REQUEST	58
G	ACCES-PAL-0002 - M8 X 25mm BOLT / ACCES-PAL-0003 - M8 SNAP OFF NUT FOR SECURITY BOLTS	116
H	ACCES-RIB-0003 - 60x60 BLACK RIBBED INSERTS	4
I	ACCES-RIB-0008 - 200x200 BLACK RIBBED INSERTS	2


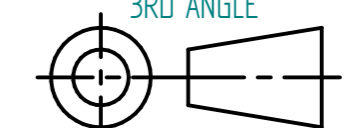
NAME	DATE	TITLE
LT	07/07/22	PALI-KIT-2548 - 2.1m X 9.0m WIDE TRIPLE POINTED DOUBLE LEAF BOLT DOWN PALISADE GATE KIT
TOLERANCE ± 2mm Unless Stated Otherwise		First Fence Ltd, Kiln Way, Swadincote, Derbyshire, DE11 8EA 01283 512 111 sales@firstfence.co.uk
3RD ANGLE		
SIZE A2	NOTE: SHOULD ANY DISCREPANCIES BE FOUND WITH THIS DRAWING, PLEASE INFORM FIRST FENCE. COPYRIGHT OF THIS DRAWING IS OWNED BY FIRST FENCE LIMITED.	REV A
WEIGHT: 431.2 kg		SHEET 4 OF 6



	NAME	DATE	TITLE
DRAWN	LT	07/07/22	PALI-KIT-2548 - 2.1m X 9.0m WIDE TRIPLE POINTED DOUBLE LEAF BOLT DOWN PALISADE GATE KIT
TOLERANCE	± 2mm Unless Stated Otherwise		First Fence Ltd, Kiln Way, Swadlincote, Derbyshire, DE11 8EA 01283 512 111 sales@firstfence.co.uk
3RD ANGLE			
			REV A
			SHEET 5 OF 6

2.1m HIGH BOLT DOWN PALISADE HINGE GATE POST 200X200 BOX SECTION



	NAME	DATE	TITLE
DRAWN	LT	07/07/22	PALI-POS-1033-2.1m HIGH BOLT DOWN PALISADE HINGE GATE POST 200X200 BOX SECTION
TOLERANCE	± 2mm Unless Stated Otherwise		 First Fence Ltd, Kiln Way, Swadlincote, Derbyshire, DE11 8EA 01283 512 111 sales@firstfence.co.uk
 3RD ANGLE			NOTE: SHOULD ANY DISCREPANCIES BE FOUND WITH THIS DRAWING, PLEASE INFORM FIRST FENCE. COPYRIGHT OF THIS DRAWING IS OWNED BY FIRST FENCE LIMITED. SIZE A2 WEIGHT: 95.1 kg REV A