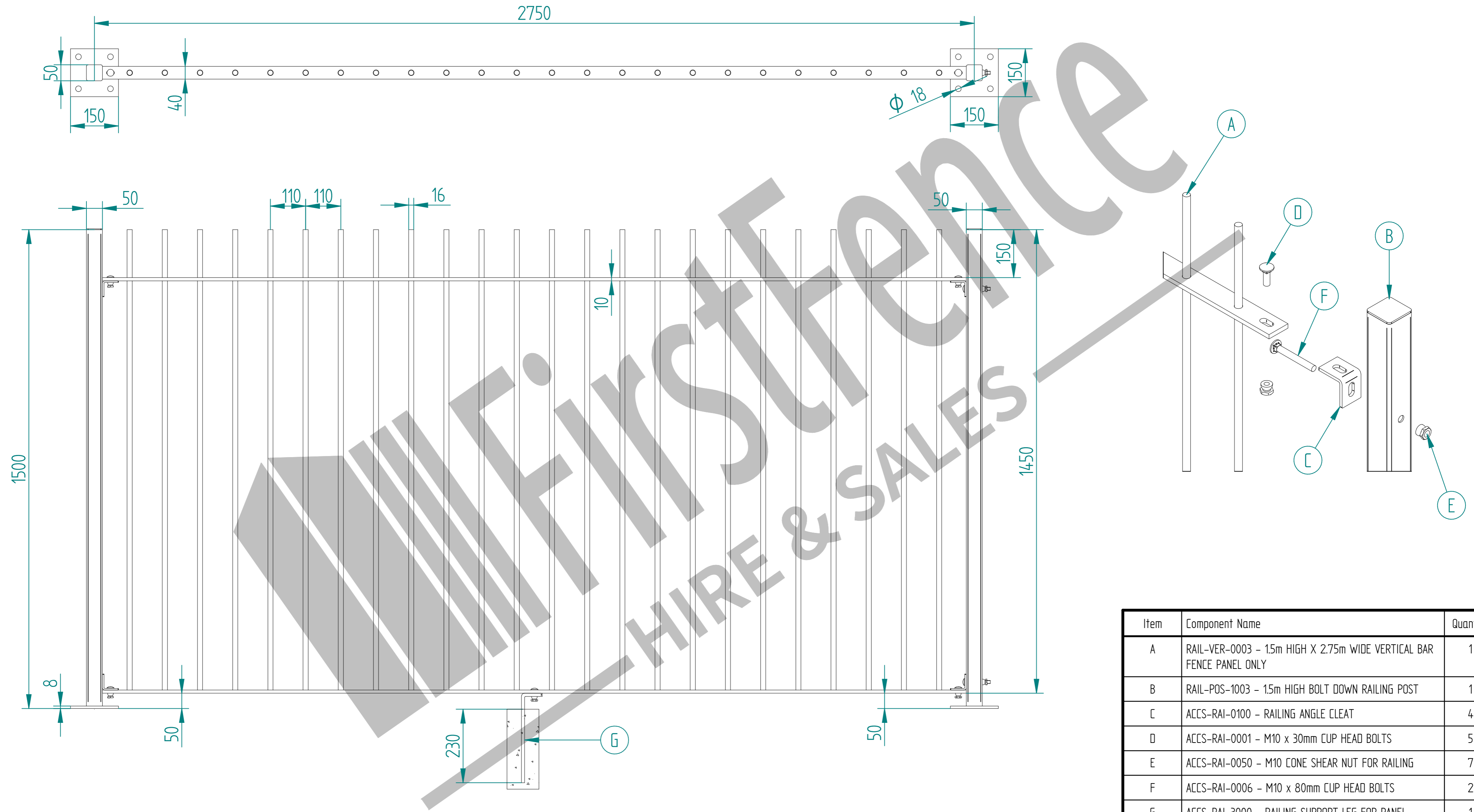


# 1.5m HIGH VERTICAL BAR BOLT DOWN FENCING KIT



Item	Component Name	Quantity
A	RAIL-VER-0003 - 1.5m HIGH X 2.75m WIDE VERTICAL BAR FENCE PANEL ONLY	1
B	RAIL-POS-1003 - 1.5m HIGH BOLT DOWN RAILING POST	1
C	ACCS-RAI-0100 - RAILING ANGLE CLEAT	4
D	ACCS-RAI-0001 - M10 x 30mm CUP HEAD BOLTS	5
E	ACCS-RAI-0050 - M10 CONE SHEAR NUT FOR RAILING	7
F	ACCS-RAI-0006 - M10 x 80mm CUP HEAD BOLTS	2
G	ACCS-RAI-3000 - RAILING SUPPORT LEG FOR PANEL	1

NAME	DATE	TITLE
LT	08/02/22	RAIL-KIT-2013 - 1.5m HIGH VERTICAL BAR BOLT DOWN FENCING KIT
TOLERANCE ± 2mm Unless Stated Otherwise		First Fence Ltd, Kiln Way, Swadlincote, Derbyshire, DE11 8EA 01283 512 111 sales@firstfence.co.uk
3RD ANGLE		NOTE: SHOULD ANY DISCREPANCIES BE FOUND WITH THIS DRAWING, PLEASE INFORM FIRSTFENCE. COPYRIGHT OF THIS DRAWING IS OWNED BY FIRSTFENCE LIMITED. SIZE A2 WEIGHT: N/A
		REV A