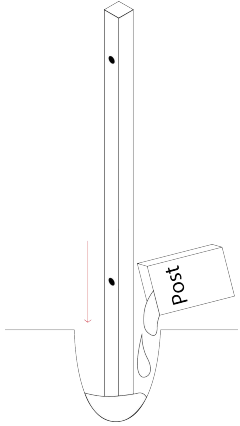


# Installation Guide

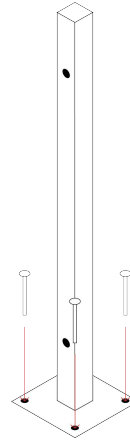
## Standard Railings

Follow our installation guide below to erect your railing system.



### Step 1 Dig-In Posts

Dig the foundation holes for the posts. Ensure the holes are spaced a bay width apart. Now the posts can be set into the foundation holes.



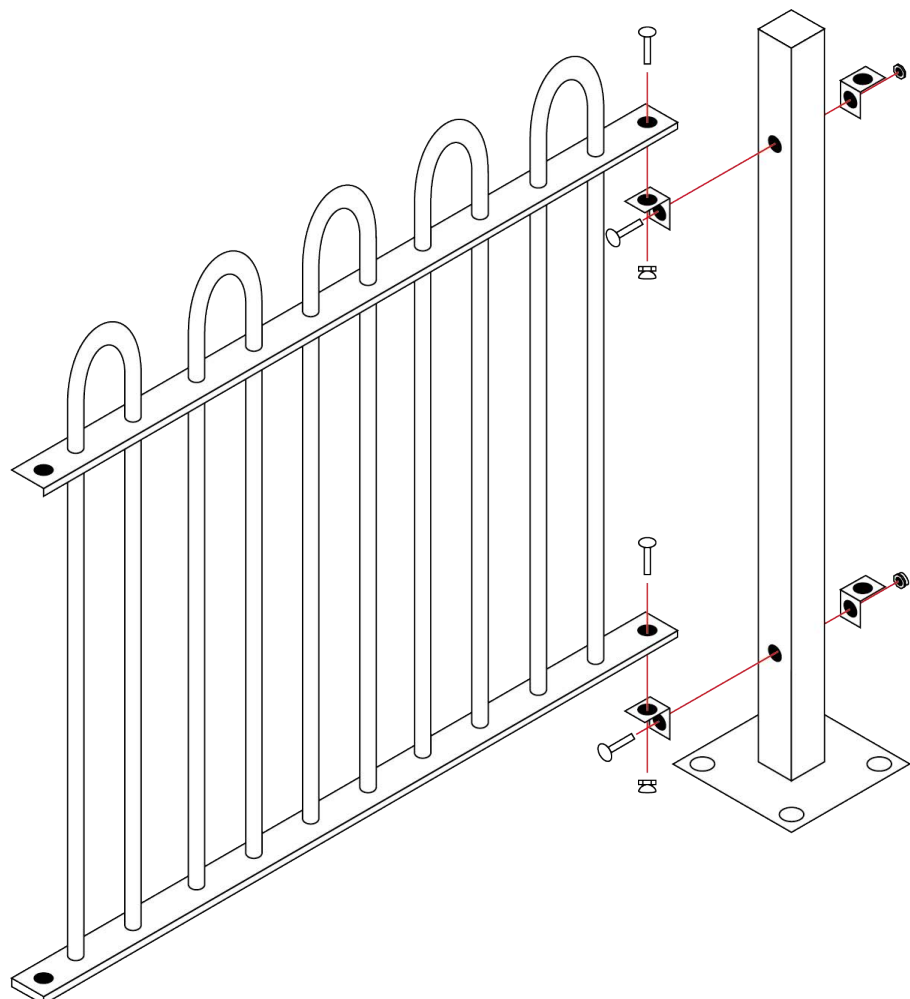
### Step 1 Bolt Down Posts

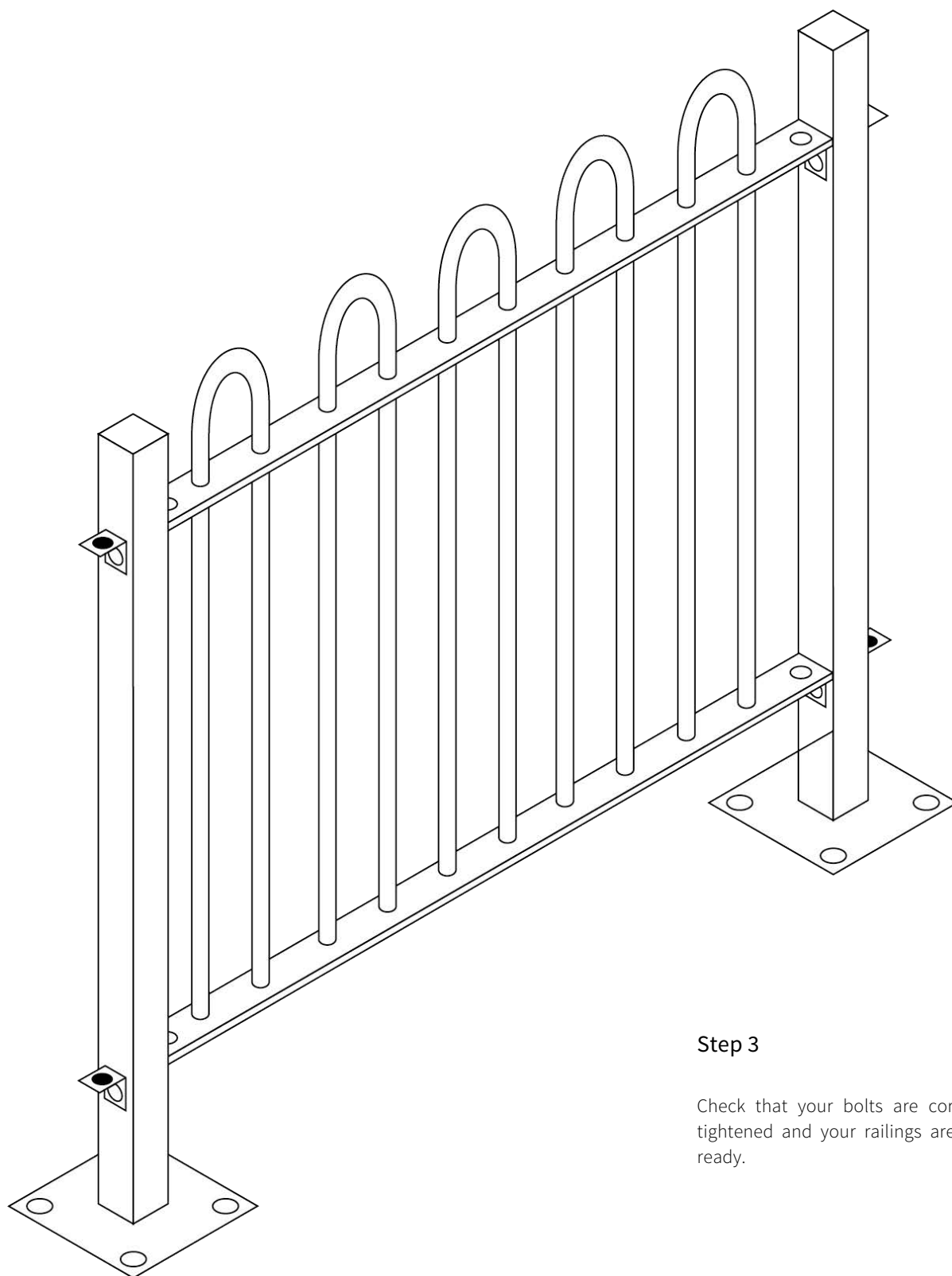
Fix your Bolt Down Posts to the ground using the appropriate Through Bolts.\*

*\*Please note that the installer is responsible for choosing the right type of Through Bolts for Bolt Down Posts.*

### Step 2

The Bay is now attached using Fishplates and Posts.





### Step 3

Check that your bolts are correctly tightened and your railings are now ready.