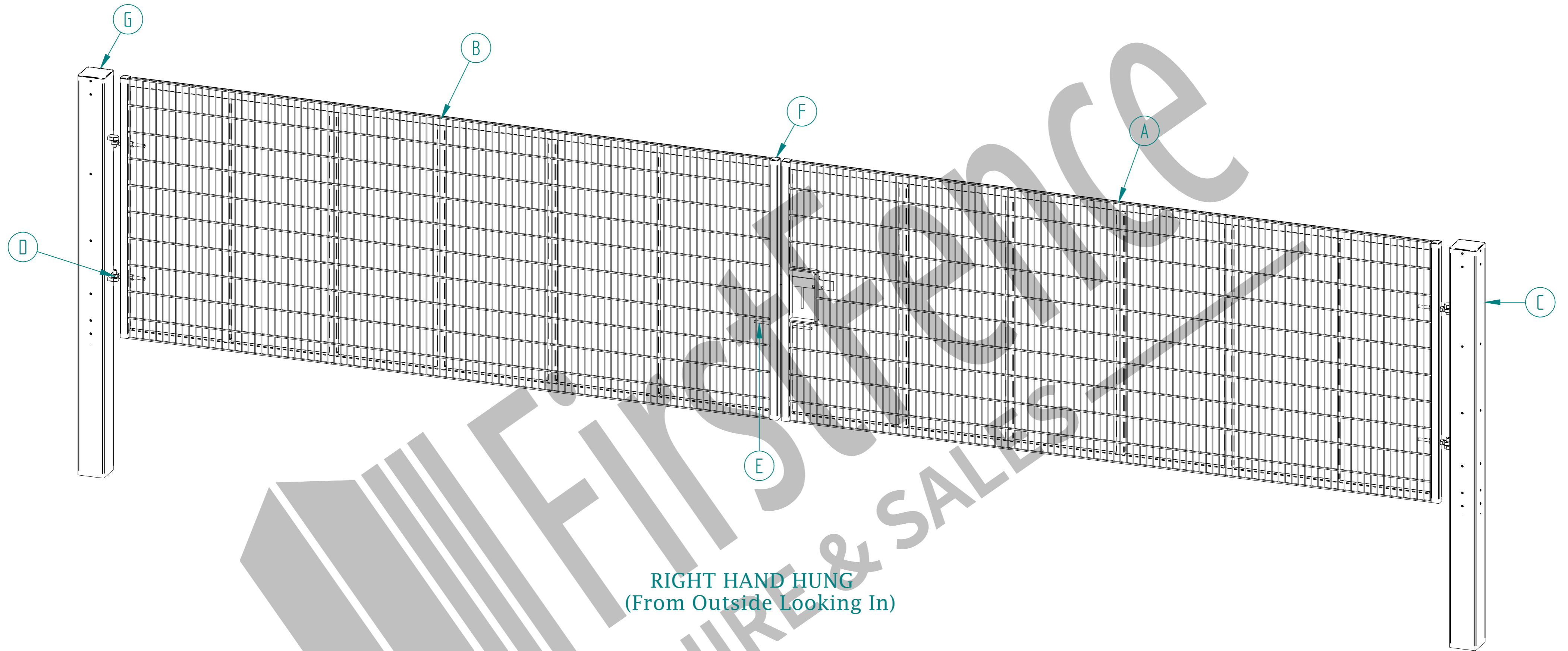
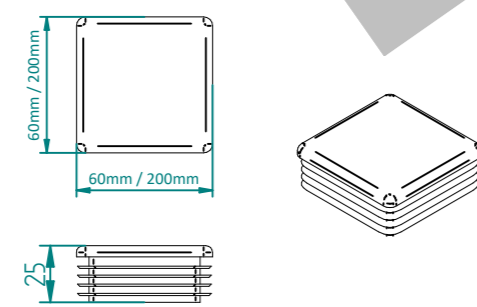


# 2.0m X 10.0m WIDE DOUBLE LEAF DIG IN 868 MESH GATE KIT

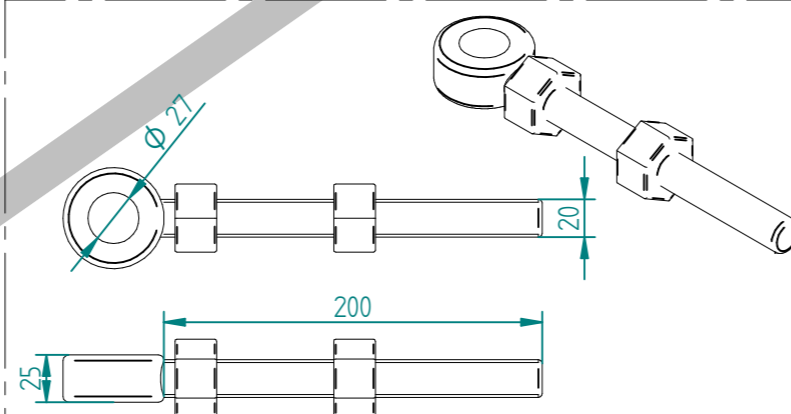


RIGHT HAND HUNG  
(From Outside Looking In)

ALL GATES & POSTS ARE TO BE FITTED WITH BLACK PLASTIC INSERTS




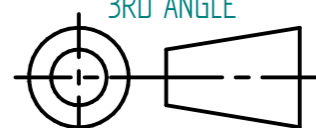
ALL GATES WITH 150x150 / 200x200 BOX SECTION HINGE POSTS ARE TO BE FITTED WITH TWO GALVANISED EYE BOLTS



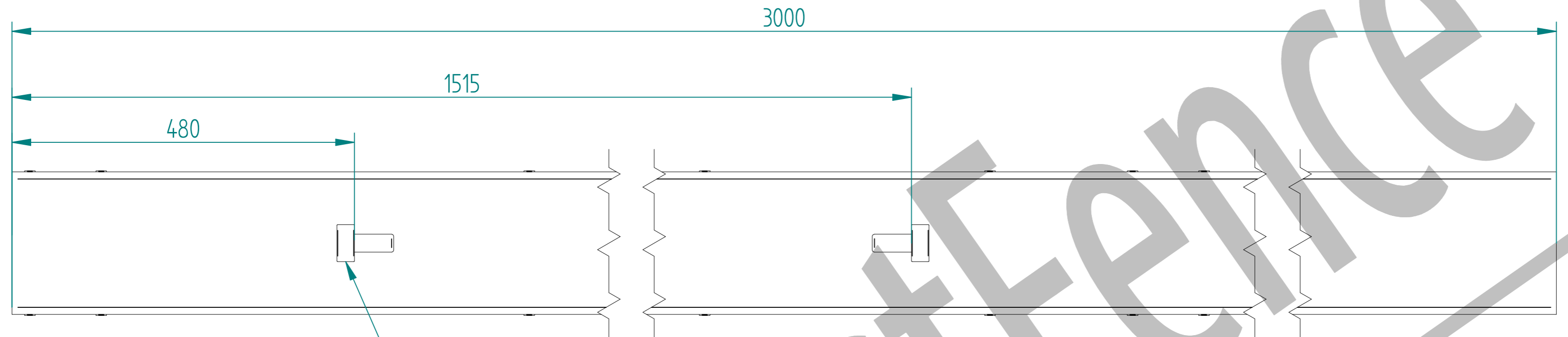
Item	Component Name	Quantity
A	MESH-SLI-2092 - 868 MESH GATE SLIDER 2.0m X 5.0m WIDE	1
B	MESH-CAT-2092 - 868 MESH GATE CATCH 2.0m X 5.0m WIDE	1
C	MESH-HIN-2062 - 2.0m HIGH DIG IN MESH HINGE GATE POST 200X200 BOX SECTION	2
D	ACCES-GEN-0002 - ADJUSTABLE GATE EYE G 200mm cw 25mm	4
E	ACCES-GEN-0101 - UNIVERSAL GATE DROP BOLT	2
F	ACCES-RIB-0003 - 60x60 BLACK RIBBED INSERTS	4
G	ACCES-RIB-0008 - 200x200 BLACK RIBBED INSERTS	2

NAME	DATE	TITLE
LT	03/03/22	MESH-KIT-6814 - 2.0m X 10.0m WIDE DOUBLE LEAF DIG IN 868 MESH GATE KIT
TOLERANCE ± 2mm Unless Stated Otherwise		First Fence® Derbyshire, DE11 8EA 01283 512 111 sales@firstfence.co.uk
3RD ANGLE		NOTE: SHOULD ANY DISCREPANCIES BE FOUND WITH THIS DRAWING, PLEASE INFORM FIRST FENCE. COPYRIGHT OF THIS DRAWING IS OWNED BY FIRST FENCE LIMITED.
SIZE A2	WEIGHT: 504.7 kg	REV A

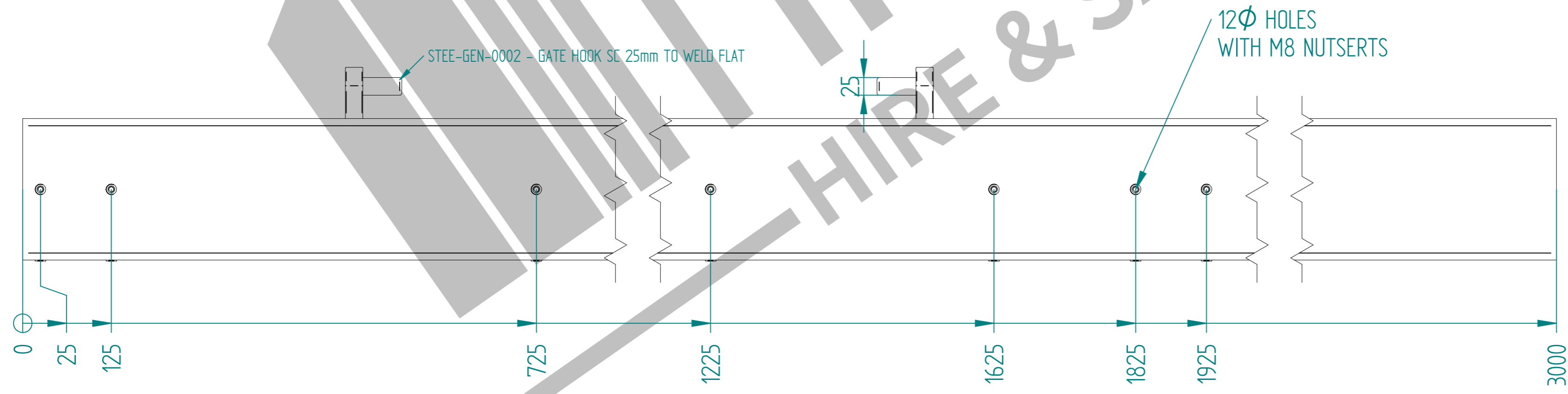


	NAME	DATE	TITLE
DRAWN	LT	03/03/22	MESH-KIT-6814 - 2.0m X 10.0m WIDE DOUBLE LEAF DIG IN 868 MESH GATE KIT
TOLERANCE	± 2mm Unless Stated Otherwise		 First Fence Ltd, Kiln Way, Swadlincote, Derbyshire, DE11 8EA 01283 512 111 sales@firstfence.co.uk
 3RD ANGLE			NOTE: SHOULD ANY DISCREPANCIES BE FOUND WITH THIS DRAWING, PLEASE INFORM FIRST FENCE COPYRIGHT OF THIS DRAWING IS OWNED BY FIRST FENCE LIMITED.
SIZE	WEIGHT: 504.7 kg		REV A
			SHEET 2 OF 6

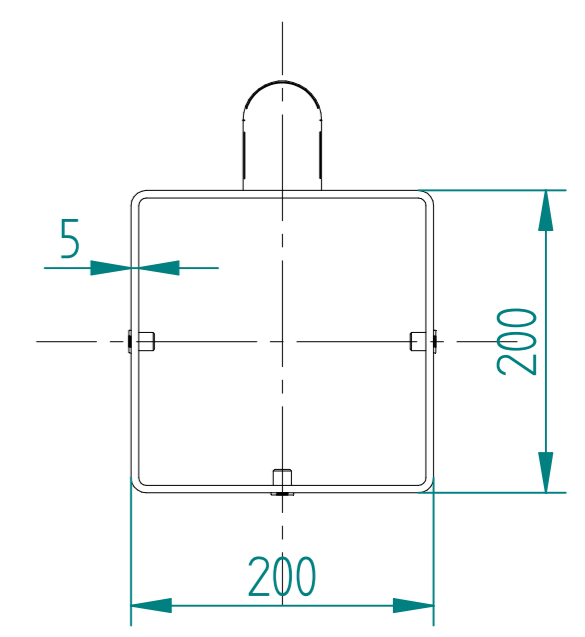
# 2.0m HIGH DIG IN MESH HINGE GATE POST 200X200 BOX SECTION (AL 3000mm)



TO BE WELDED CENTRAL TO POST



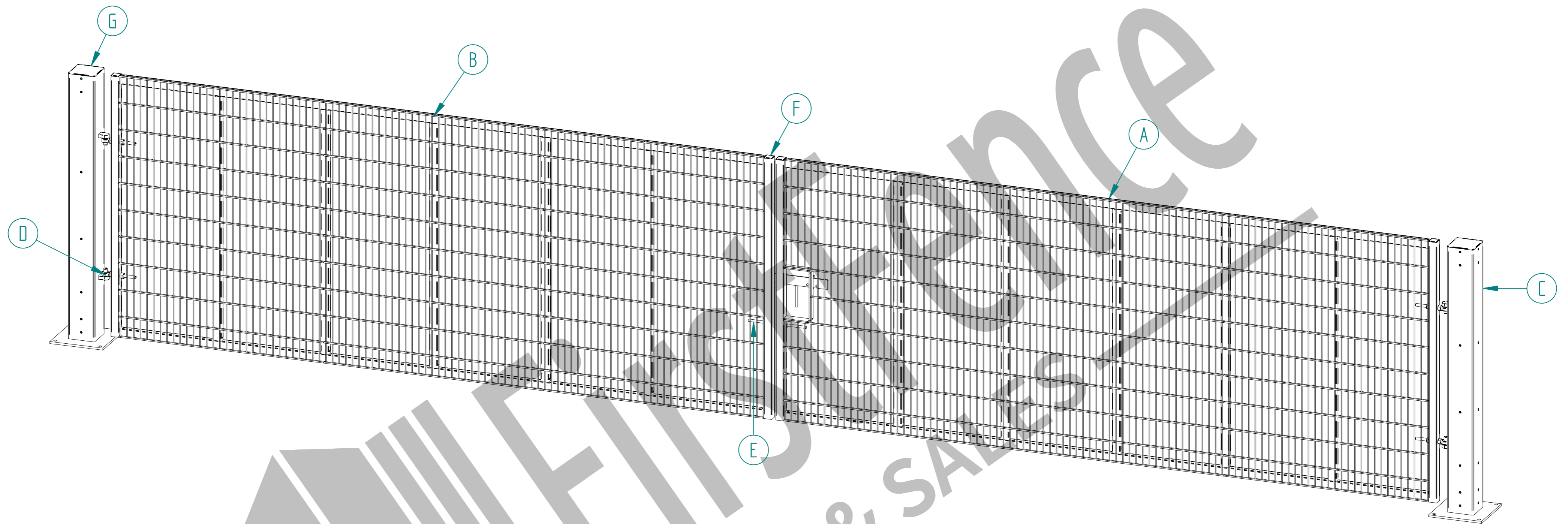
STEE-GEN-0002 - GATE HOOK SC 25mm TO WELD FLAT



	NAME	DATE	TITLE
DRAWN	LT	03/03/22	MESH-HIN-2062 - 2.0m HIGH DIG IN MESH HINGE GATE POST 200X200 BOX SECTION
TOLERANCE	± 2mm Unless Stated Otherwise		First Fence Ltd, Kiln Way, Swadincote, Derbyshire, DE11 8EA 01283 512 111 sales@firstfence.co.uk
3RD ANGLE			NOTE: SHOULD ANY DISCREPANCIES BE FOUND WITH THIS DRAWING, PLEASE INFORM FIRSTFENCE. COPYRIGHT OF THIS DRAWING IS OWNED BY FIRSTFENCE LIMITED.
SIZE	A2	REV	A
WEIGHT:	92.0 kg	SHEET 3 OF 6	

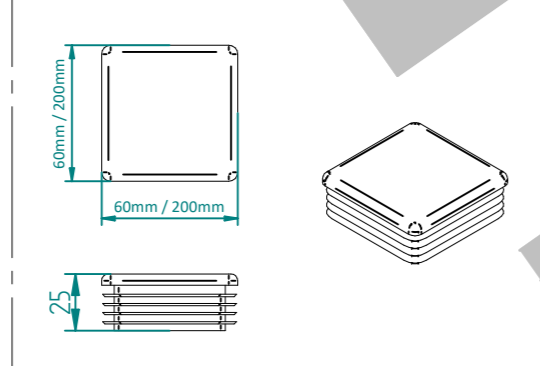


# 2.0m X 10.0m WIDE DOUBLE LEAF BOLT DOWN 868 MESH GATE KIT

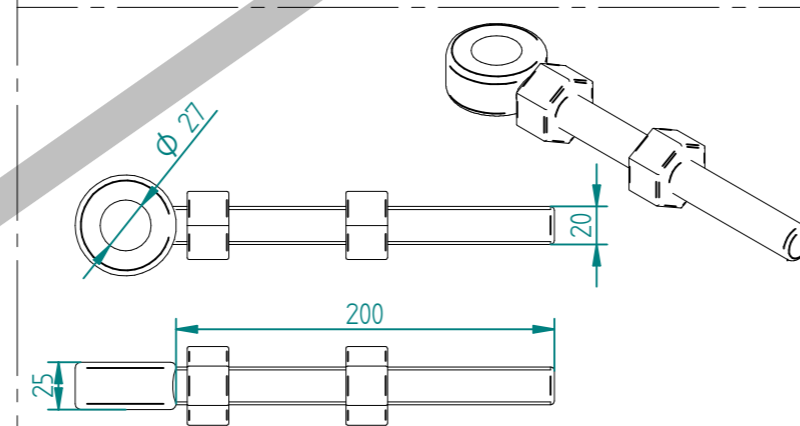


RIGHT HAND HUNG  
(From Outside Looking In)

ALL GATES & POSTS ARE TO BE FITTED WITH BLACK PLASTIC INSERTS

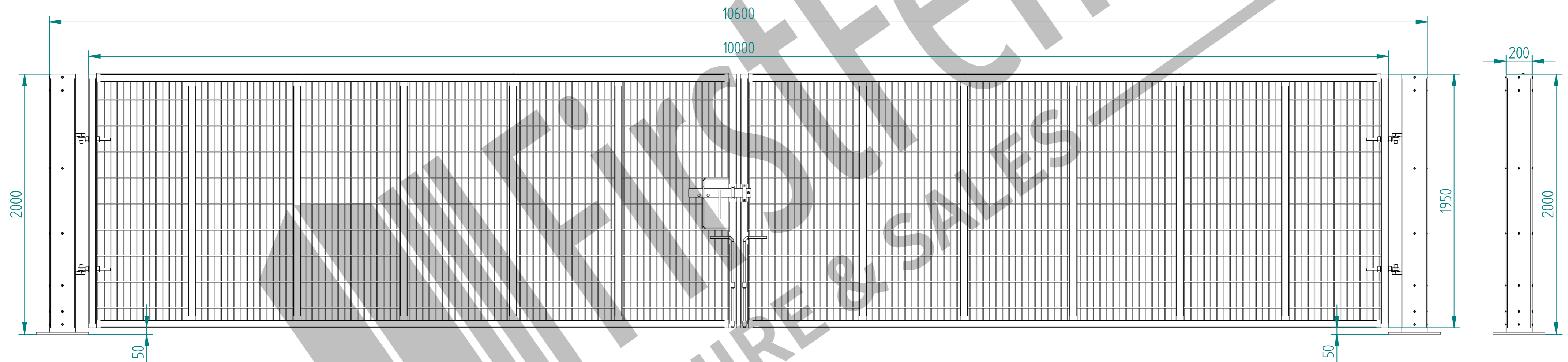
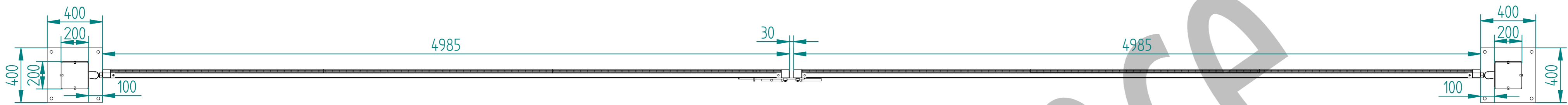



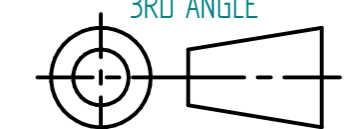
ALL GATES WITH 150x150 / 200x200 BOX SECTION HINGE POSTS ARE TO BE FITTED WITH TWO GALVANISED EYE BOLTS



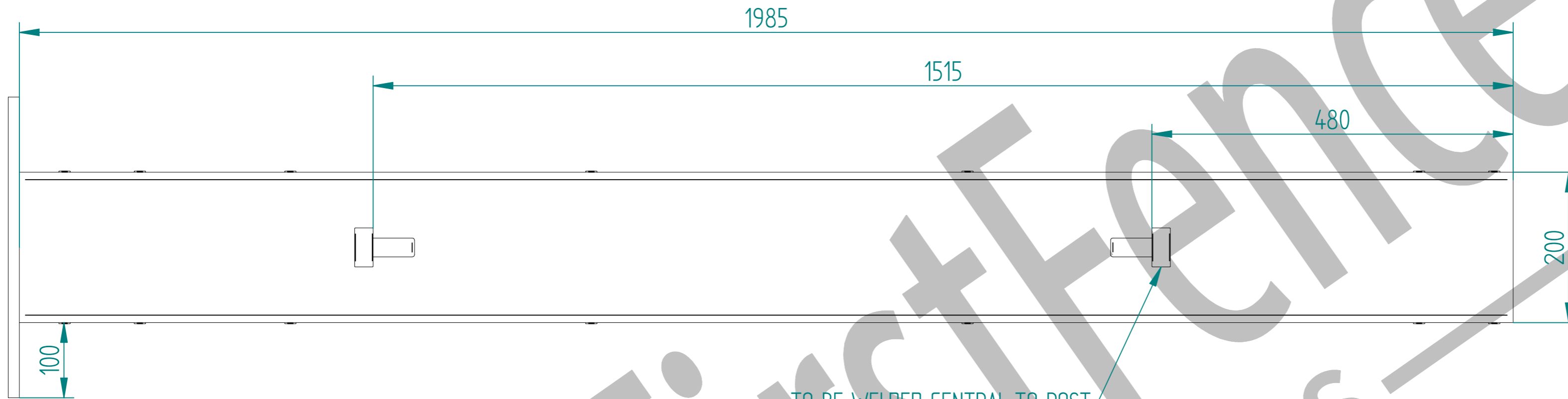
Item	Component Name	Quantity
A	MESH-SLI-2092 - 868 MESH GATE SLIDER 2.0m X 5.0m WIDE	1
B	MESH-CAT-2092 - 868 MESH GATE CATCH 2.0m X 5.0m WIDE	1
C	MESH-HIN-2072 - 2.0m HIGH BOLT DOWN MESH HINGE GATE POST 200X200 BOX SECTION	2
D	ACCS-GEN-0002 - ADJUSTABLE GATE EYE G 200mm cw 25mm	4
E	ACCS-GEN-0101 - UNIVERSAL GATE DROP BOLT	2
F	ACCS-RIB-0003 - 60x60 BLACK RIBBED INSERTS	4
G	ACCS-RIB-0008 - 200x200 BLACK RIBBED INSERTS	2

NAME	DATE	TITLE
LT	03/03/22	MESH-KIT-6815 - 2.0m X 10.0m WIDE DOUBLE LEAF BOLT DOWN 868 MESH GATE KIT
TOLERANCE	± 2mm Unless Stated Otherwise	
		<b>FirstFence</b> First Fence Ltd, Kiln Way, Swadlincote, Derbyshire, DE11 8EA 01283 512 111 sales@firstfence.co.uk
SIZE	NOTE: SHOULD ANY DISCREPANCIES BE FOUND WITH THIS DRAWING, PLEASE INFORM FIRSTFENCE. COPYRIGHT OF THIS DRAWING IS OWNED BY FIRSTFENCE LIMITED.	REV
A2		A
WEIGHT: 480.9 kg		SHEET 4 OF 6

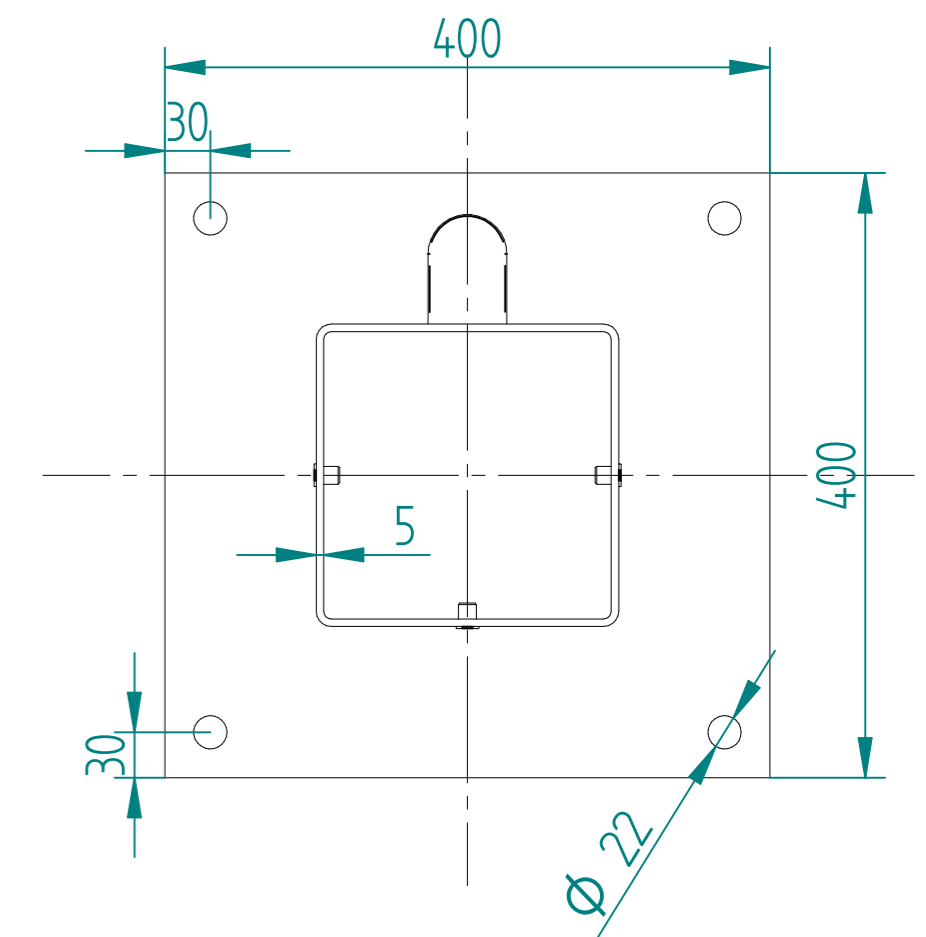


	NAME	DATE	TITLE
DRAWN	LT	03/03/22	MESH-KIT-6815 - 2.0m X 10.0m WIDE DOUBLE LEAF BOLT DOWN 868 MESH GATE KIT
TOLERANCE	± 2mm Unless Stated Otherwise		 First Fence Ltd, Kiln Way, Swadlincote, Derbyshire, DE11 8EA 01283 512 111 sales@firstfence.co.uk
 3RD ANGLE			
SIZE A2			REV A
WEIGHT: 480.9 kg			SHEET 5 OF 6

# 2.0m HIGH BOLT DOWN MESH HINGE GATE POST 200X200 BOX SECTION



TO BE WELDED CENTRAL TO POST



NAME	DATE	TITLE
LT	03/03/22	MESH-HIN-2072 - 2.0m HIGH BOLT DOWN MESH HINGE GATE POST 200X200 BOX SECTION
TOLERANCE	± 2mm Unless Stated Otherwise	FirstFence® First Fence Ltd, Kiln Way, Swadlincote, Derbyshire, DE11 8EA 01283 512 111 sales@firstfence.co.uk
3RD ANGLE	SIZE A2	REV A
	WEIGHT: 80.1 kg	SHEET 6 OF 6